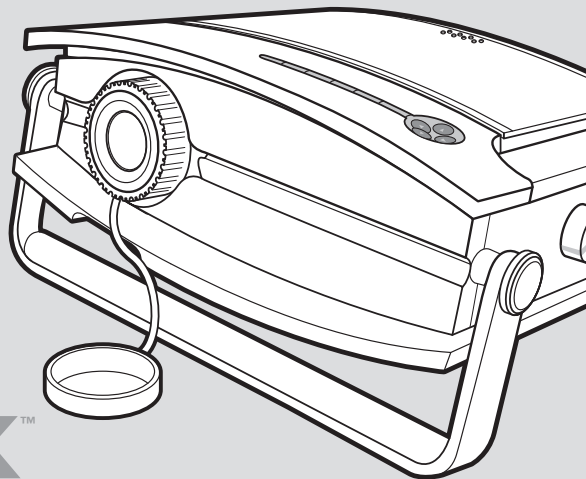


C **UL** US
LISTED

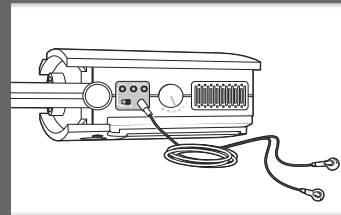
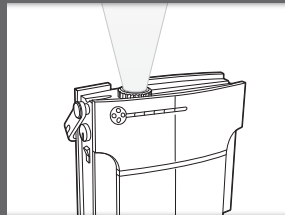
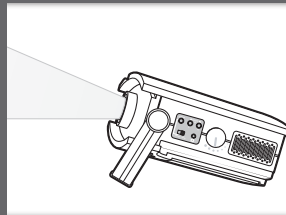
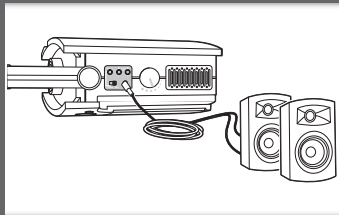


zoomboxTM
DVD Entertainment Projector



USER GUIDE

75052



Thank you for purchasing the ZOOMBOX DVD Player and Entertainment Projector. Be sure to read and follow all instructions carefully before using this product.

Take your entertainment to the wall by turning any room in your home into a personal theater. Play your favorite movies, video games and music on a wall or ceiling for a larger-than-life-size experience. Zoom in, kick back, relax and enjoy! Entertainment's better when it's BIGGER.™

Batteries not required.
12V AC Adaptor included.

PROJECTOR SPECIFICATIONS

- DVD/CD Player
- TFT LCD Projector
- Resolution 557 x 234
- Brightness: 8 ANSI Lumens
- 35 Watt MR-11 12V Bulb
- 1000 hour lamp life (average)

IMPORTANT SAFETY INSTRUCTIONS

- Read these instructions.
- Keep these instructions.
- Heed all warnings.
- Follow all instructions.
- Do not use this apparatus near water.
- Clean only with a dry cloth.
- Do not block any ventilation openings. Install in accordance with the manufacturer's instructions.
- Do not install near any heat sources such as radiators, heat registers, stoves or other apparatus (including amplifiers) that produce heat.
- Do not defeat the safety purpose of the polarized or grounding-type plug. A polarized plug has two blades with one wider than the other. A grounding type plug has two blades and a third grounding prong. The wide blade or third grounding prong are provided for your safety. If the provided plug does not fit into your outlet, consult an electrician for replacement of the obsolete outlet
- Protect the power cord from being walked on or pinched particularly at plugs, convenience receptacles, and the point where they exit from the apparatus.
- Only use attachments/accessories specified by the manufacturer.
- Use only with the stand provided with the apparatus.
- Unplug this apparatus during lightning storms or when unused for long periods of time.
- Refer all servicing to qualified personnel. Servicing is required when the apparatus has been damaged in any way, such as power supply cord is damaged, liquid has been spilled or objects have fallen into the apparatus, the apparatus has been exposed to rain or moisture, does not operate normally, or has been dropped.
- If servicing is required, please contact Hasbro Consumer Affairs at 1-800-844-3733.
- Do not look directly into the lens when the lamp is on.
- Keep plastic, paper, and combustible material at least 0.5 m (2 ft.) away from the projector lens and vents.
- Do not put anything on top of the projector.
- Use only enclosed power cord rated for the voltage and current marked on the product label.
- Do not stand the projector on its front surface.
- Do not touch the lens with your fingers. See "Cleaning the projector lens" on page 13.
- Do not open the projector except as instructed by this guide on page 14 and only after allowing the projector to cool down.
- Warnings and power rating information are located inside DVD compartment and on the bottom panel.
- Place the projector on the table top and open environment when it is operating.

Manual Focus Lens

Lens Cap

Handle/Adjustable Stand

Stereo Speakers

Lamp

Open

Directional Pad

▲ = Up/Slow Motion

▼ = Down

◀ = Left/Rewind

▶ = Right/Forward

Enter =  Play
(Angle)

Pause = Pause/Step Forward
(Subtitle)

Previous
(Zoom)

Disc Menu = Show DVD
Disc Menu
(Setup Menu)

Shift = Shift functions
(For more detailed information
please see page 6)

Stop
(Audio)

Next
(Display)

NOTE: Items in parenthesis
are Shift functions.

AV Plugs

[yellow = video, white = audio left, red = audio right]

Mode Switch

Headphone Jack

Volume Dial

Air Vent

Air Vent

Power Jack

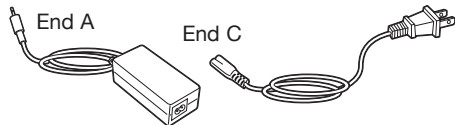
LAMP MAIN

12V DC

On/Off Switch

Lamp Switch

Power Cable



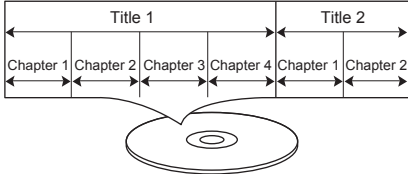
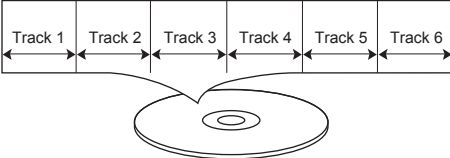
ATTENTION:

Use the supplied power adaptor, type number: KSS60-12.0-5000 only.

FUNCTION KEYS DESCRIPTION

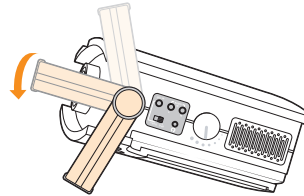
	Printed Name	Description	When Play	When Stop	When Pause	In Disc/ Setup Menu
1	▲	Up/Slow motion	▶ 1/2/1/4/1/8/1/16	-	-	Up
2	▼	Down	-	-	-	Down
3	◀	Left/Rewind	◀◀ 2/4/8/16/32x	-	-	Left
4	▶	Right/Fast forward	▶▶ 2/4/8/16/32x	-	-	Right
5	↵/PLAY	Play/enter	-	Play	Play	Enter
6	/STEP	Pause/step forward	Pause	-	1 step	-
7	■	Stop	Stop	-	Stop	-
8	◀◀	Previous	Previous	Previous	Previous	-
9	▶▶	Next	Next	Next	Next	-
10	DISC MENU	Show DVD disc menu	Disc menu	Disc menu	Disc menu	-
11	SHIFT	Shift functions	-	-	-	-

SHIFT-FUNCTIONS

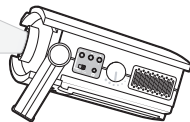
	Printed name	DVD	Audio CD
1	Angle	Select viewing angle provided by the DVD disc	-
2	Subtitle	Select subtitle provided by the DVD disc	-
3	Audio	Select language or audio effect provided by the DVD disc	Select MONO LEFT, MONO RIGHT, MIX-MONO and STEREO
4	Zoom	Zoom 2x / 3x / 4x	-
5	Display	 <p>Show title # / chapter # / time in different way :</p> <ul style="list-style-type: none"> - Title elapsed (e.g. TT 01/04 CH 01/02 0:02:13) - Title remaining time - Chapter elapsed - Chapter remaining time - Off 	 <p>Show track # / time in different way :</p> <ul style="list-style-type: none"> - Track elapsed time - Track remaining time - Total elapsed time - Total remaining time - Off
6	Setup menu	Enter setup menu	Enter setup menu

SET UP

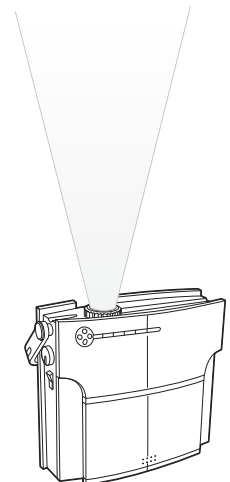
Rotate the Handle/
Adjustable Stand
until you reach
your desired
position.



To watch your movies or play video games on the wall, place your ZOOMBOX DVD Entertainment Projector on a flat, hard, stable surface. **Do not place it on a carpeted or upholstered surface.** Position approximately 8 feet from the wall for a 60-inch diagonal picture. For best results, use in dark room on a light colored wall.



To watch your movies or play video games on the ceiling, place your ZOOMBOX DVD Entertainment Projector vertically on its base on a flat, hard, stable surface. **Do not place it on a carpeted or upholstered surface.** For best results, use in dark room on a light colored ceiling.

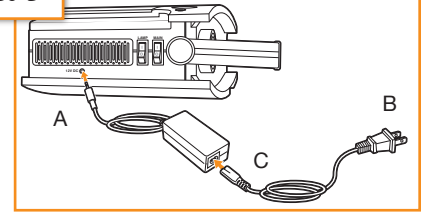


GETTING STARTED

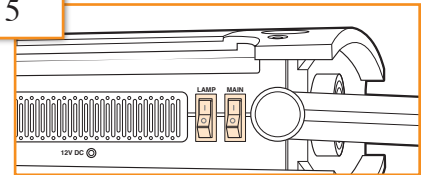
1. Plug end A of the Power Cable into the Power Jack on the Projector.
2. Plug end C of the Power Cable into the jack on the AC Adapter.
3. Make sure the On/Off Switch is in the "Off" position.
4. Plug end B of the Power Cable into a wall outlet.
5. Move the On/Off Switch to the "ON" position.
6. Move the Lamp Switch to the "ON" position. The lamp will begin warming up. You will see an introductory screen on your viewing surface.
7. Move the Mode Switch to "DVD" if you will be watching a DVD or listening to a CD, or "EXTERNAL" if you will be playing a video game or connecting your ZOOMBOX to any other external devices such as a video camera, digital camera, VCR, cable box, plug 'n play game console, etc.

Your DVD or CD will automatically begin playing when inserted.

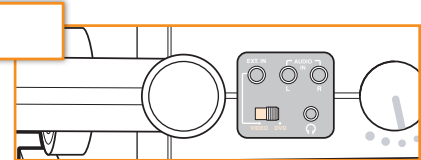
1, 2 & 3



4 & 5



5



NOTE: At any time you can adjust the focus of your screen by rotating the Manual Focus Lens clockwise and counterclockwise.
NOTE: Keep the air vents clear of any obstructions.

SETTINGS

1. Press the Shift button and then "Setup Menu".
2. The Set Up Menu will be displayed:

NOTE: Setup Menu is only available in DVD mode.



3. Use the Directional Pad to scroll to the setting you would like to adjust and press ENTER.
4. Use the ◀ and ▶ keys on the Directional Pad to raise or lower the value of the current setting. Press ENTER when finished to set the value.
5. Press Setup Menu again to exit.

BRIGHTNESS

Brightens or darkens the picture.

CONTRAST

Sets the difference between light and dark areas.

COLOR

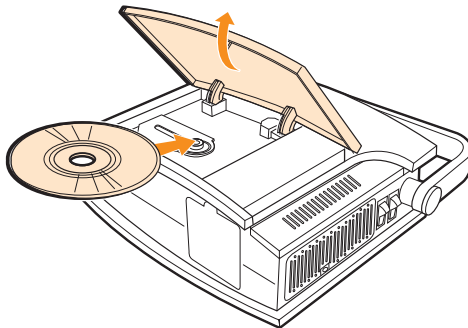
Adjusts the intensity of colors.

TINT

Adjusts the shade of the colors.

TO PLAY A DVD

1. Make sure the Mode Switch is set to "DVD".
2. Press the OPEN button.
3. Insert a DVD.
4. Gently close the lid of the projector. You will hear a click.
5. The DVD will start up. Use the Directional Pad to scroll through the DVD Menu.
6. Press ENTER to select "Play" from the DVD Menu.
7. Use the Play, Pause, Next, Previous and Stop buttons to navigate through your movie.
8. Rotate the Volume Dial to the right or left to increase or decrease the volume of your movie.



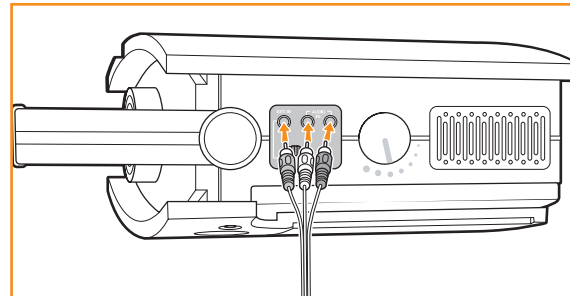
TO PLAY A CD

NOTE: Move the Lamp Switch to the "Off" position when playing a CD. Having the lamp OFF will help conserve bulb life.

1. Make sure the Mode Switch is set to "DVD".
2. Press the OPEN button.
3. Insert a CD.
4. Gently close the lid of the projector. You will hear a click.
5. Press the Play button to begin listening to your music.
6. Use the Next and Previous buttons to navigate through the playlist.
7. Press Stop to stop playing your music or Pause to pause the current song.
8. Rotate the Volume Dial to the right or left to increase or decrease the volume of your music.

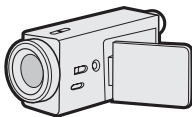
TO CONNECT A VIDEO GAME CONSOLE

1. Use your gaming console's AV Cable to connect your video gaming console to the ZOOMBOX DVD Entertainment Projector. Make sure you match the colors of the plugs (White = Audio Left, Red = Audio Right, Yellow = Video) to the colors of the ports that are on the ZOOMBOX DVD Entertainment Projector.
2. Move the Mode Switch to "External."
3. Your video gaming console's main screen will appear. Use your video game controller to navigate through the menu and play your video game. To access the Setup Menu, set the mode switch to "DVD".

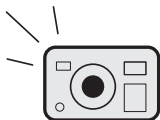


You can also connect a variety of other electronic devices to your ZOOMBOX such as: video camera, digital camera, VCR, cable box, plug 'n play gaming console and more!

video camera



digital camera



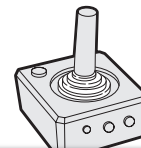
VCR



cable box



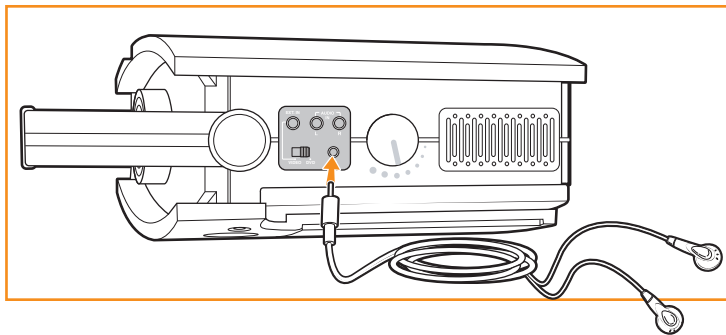
plug 'n play



LISTEN WITH YOUR HEADPHONES

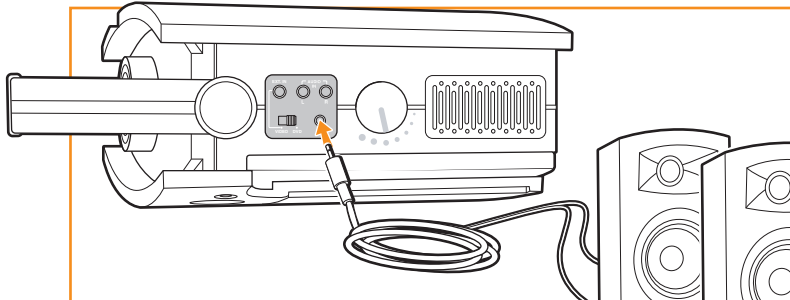
If you prefer to listen privately with headphones (not included) simply insert headphone plug into the $\frac{1}{8}$ " headphone jack located on the side of the projector.

NOTE: Turn down the volume before inserting headphones.



CONNECT YOUR POWERED EXTERNAL SPEAKERS

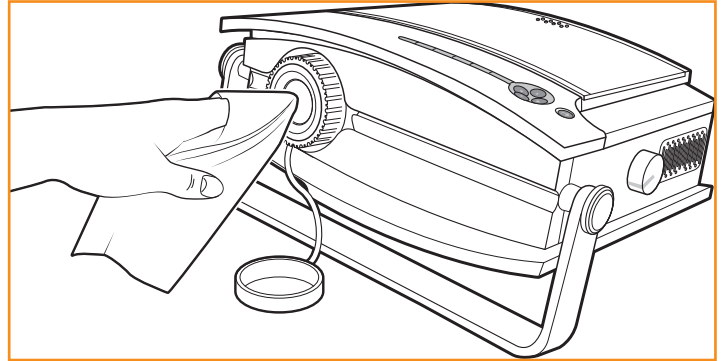
If you want to add more sound to your entertainment experience, connect your powered external speakers (not included) by inserting a $\frac{1}{8}$ " speaker plug into the headphone jack.



CLEANING THE PROJECTOR LENS

You can clean the front lens of the projector using the following recommendations. You cannot clean any of the internal surfaces.

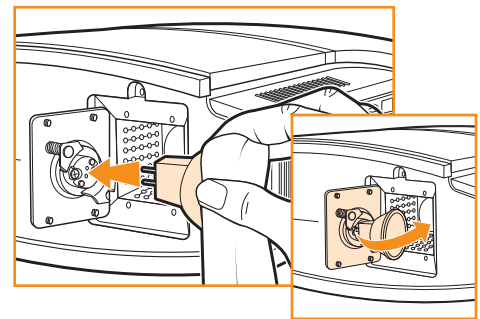
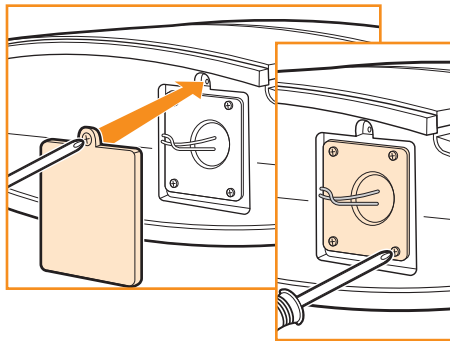
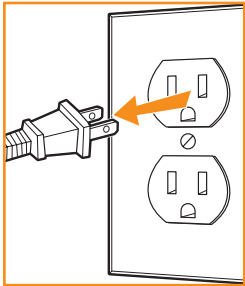
- To minimize the risk of damaging or scratching the lens surface, blow dust particles off the lens with clean, dry, deionized air.
- If this method does not work, use the following method:
 - Wipe the lens in a single direction with a clean, dry cloth. Do not wipe back and forth across the lens.
 - If the cloth is dirty or smears the lens, wash the cloth. If the cloth is still dirty after washing it or the fabric is damaged, replace it.
- Cleaning requires special consideration:
 - Do not spray any type of fluid or cleaner directly on the lens surface.
 - Cleaners might damage the lens.
 - Do not use fabric softener when washing a cleaning cloth or softener sheets when drying the cloth. Chemicals on the cloth might damage the surface of the lens.
- Do not store a cleaning cloth in contact with the lens for a long time because doing so contaminates the lens with dye from the cloth. The cloth can be contaminated if left in the open air.



TO REPLACE LAMP BULB

As the projector operates over time, the brightness of the projector lamp gradually decreases and the lamp becomes more susceptible to breakage. You can install a new lamp at any time to bring the projector up to factory-fresh brightness.

The lamp bulb has approximately a 1000-hour life. **The lamp operates at a very high temperature, so wait 30 minutes before removing the lamp bulb.** Use a 35 Watt 12V MR-11 lamp bulb, found where standard light bulbs are sold in home improvement and hardware stores.



1. Turn off ZOOMBOX and allow it to cool for 30 minutes.
2. Unplug the power cord.
3. Use a Phillips/cross head screwdriver (not included) to unscrew the cover and remove.
4. Use a Phillips/cross head screwdriver (not included) to unscrew the inside panel. Panel stays attached.
5. Remove existing bulb. Use a soft cloth to prevent breakage.
6. Plug in replacement bulb.
7. Reattach panel.
8. Reattach cover.

TROUBLESHOOTING GUIDE

START UP PROBLEMS

- If no lights or sounds turn on:
 - Be sure that the power cord is securely connected to the projector and the other end is plugged into an outlet with power.
 - Be sure the lens cap is off.
 - Press the On/Off button again.
 - Unplug the power cord for 15 seconds, then plug it in and press the On/Off button again.
 - Be sure volume is turned up.

PICTURE PROBLEMS

- If the image is out of focus:
 - When displaying the main menu, adjust the manual focus.
 - Ensure the projection surface is between 4 and 8 feet away from the projector.
 - Check the projection lens to see if it needs cleaning.

- If the image is too small or too large:
 - Move the projector closer to or farther from the viewing surface.
- If the projector colors seem slightly wrong:
 - Go to the main menu and try adjusting the Color, Tint, Brightness and Contrast of the picture.

INTERRUPTION PROBLEMS

- If the projector stops responding to all controls:
 - If possible, turn off the projector, then unplug the power cord and wait at least 15 seconds before reconnecting power.
- If the lamp shuts off during a show:
 - A minor power surge might cause the lamp to shut off. This is normal. Wait a few minutes, then power on the projector.

FCC STATEMENT

This equipment has been tested and found to comply with the limits for a Class B digital device, pursuant to part 15 of the FCC Rules. These limits are designed to provide reasonable protection against harmful interference in a residential installation. This equipment generates, uses and can radiate radio frequency energy, and, if not installed and used in accordance with the instructions, may cause harmful interference to radio communications. However, there is no guarantee that interference will not occur in a particular installation. If this equipment does cause harmful interference to radio or television reception, which can be determined by turning the equipment off and on, the user is encouraged to try to correct the interference by one or more of the following measures:

- Reorient or relocate the receiving antenna.
- Increase the separation between the equipment and the receiver.
- Connect the equipment into an outlet on the circuit different from that to which the receiver is connected.
- Consult the dealer or an experienced radio/TV technician for help.

TIGER
ELECTRONICS™

Where Technology Comes to Play!™



Questions? Call: 1-800-844-3733

Product and colors may vary.
© 2005 Hasbro. All Rights Reserved.
TM & © denote U.S. Trademarks.
75052 PN 651580000