

# StarBird™

## ASSEMBLY DIRECTIONS

First, remove your Star Bird from the box. Then, detach the front section from the neck of the craft.

### Battery Cover

1. Turn over front section, consisting of the **Energy Module (A)** and **Front Hull (B)**.
2. Insert coin into groove as shown in FIG. 1 to remove **Battery Cover (C)**.

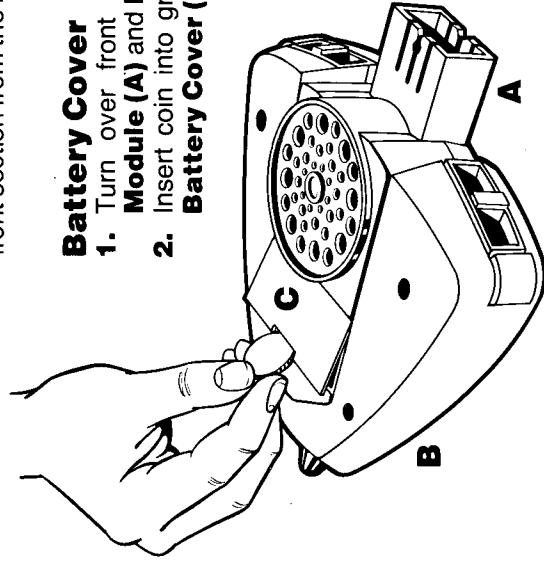


FIG. 1

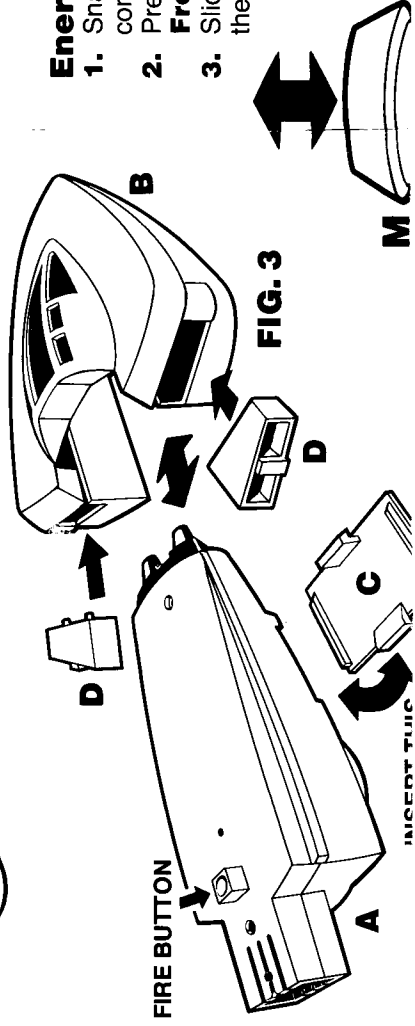


FIG. 3

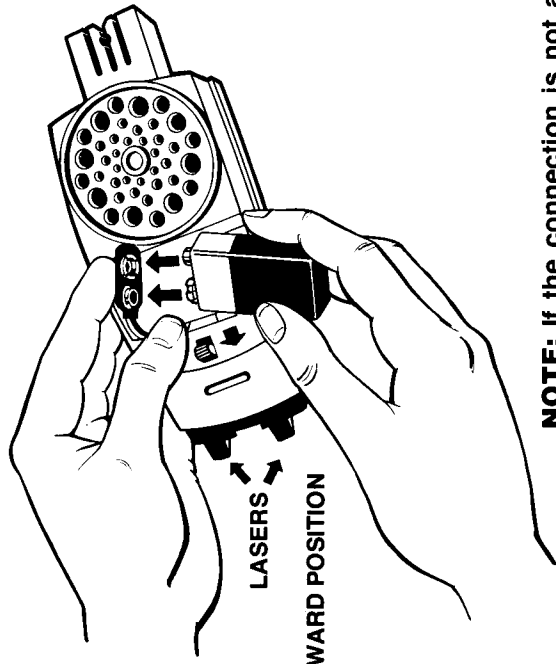


FIG. 2

BE SURE SWITCH IS IN FORWARD POSITION

LASERS

**NOTE:** If the connection is not a tight "snap-on" fit, lightly pinch the slotted spring terminal of the battery and clip with pliers.

3. Insert the battery and clip into the compartment of the energy module.
4. To test, push the ON/OFF switch back to hear engine sounds. Press fire button on top of module to check lasers.

### Battery Clip

1. Detach the **Energy Module (A)** from the front hull by pulling straight back (See FIG. 3).
2. With ON/OFF switch forward toward lasers, attach one 9-volt battery (alkaline type recommended) to the battery clip. Make sure connection is properly joined as shown in FIG. 2.

### Energy Module and Front Hull Assembly—See FIG. 3

1. Snap on **Battery Cover (C)** over compartment.
2. Press **Stabilizers (D)** into the **Front Hull (B)**.
3. Slide the **Energy Module (A)** into the **Front Hull (B)**, guiding the red neck of the craft. (See FIG. 5)
4. Slide the front section back onto the neck of the craft. (See FIG. 5)

lasers through the windows of the nose, until the parts "click" together.

**NOTE:** The energy module can be detached for additional play as the **Power Orbiter**.

Slide the front section back onto the neck of the craft. (See FIG. 5)

FIRE BUTTON

INSERT TUBE

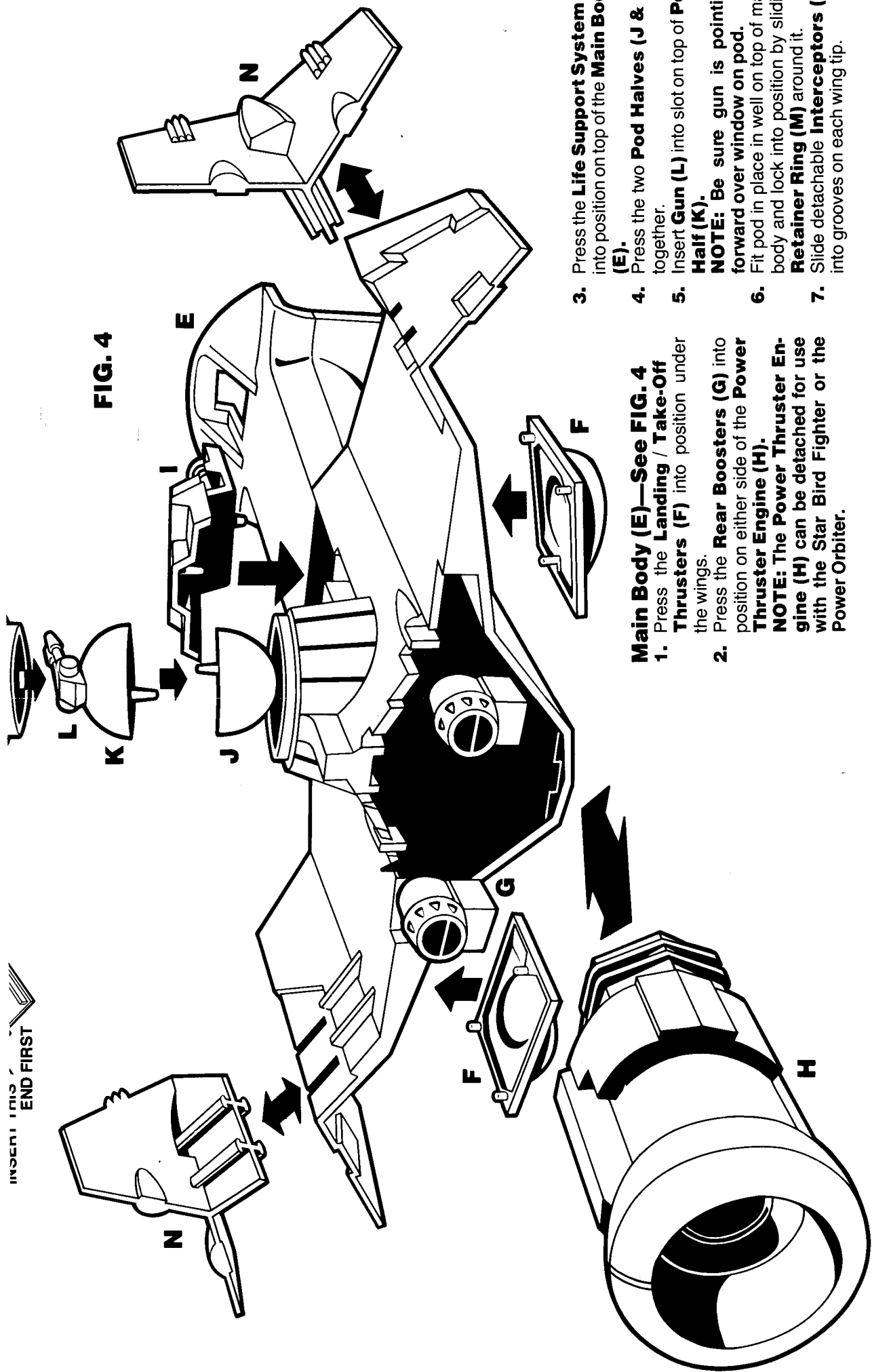


FIG. 4

3. Press the **Life Support System (I)** into position on top of the **Main Body (E)**.
4. Press the two **Pod Halves (J & K)** together.
5. Insert **Gun (L)** into slot on top of **Pod Half (K)**.  
**NOTE:** Be sure gun is pointing forward over window on pod.
6. Fit pod in place in well on top of main body and lock into position by sliding **Retainer Ring (M)** around it.
7. Slide detachable **Interceptors (N)** into grooves on each wing tip.

**Main Body (E)—See FIG. 4**

1. Press the **Landing / Take-Off Thrusters (F)** into position under the wings.
2. Press the **Rear Boosters (G)** into position on either side of the **Power Thruster Engine (H)**.  
**NOTE:** The **Power Thruster Engine (H)** can be detached for use with the **Star Bird Fighter** or the **Power Orbiter**.

# SEE BOX BOTTOM FOR EXCITING PLAY FEATURES.

## Star Bird Fighter

1. Detach the **Front Hull and Energy Module Assembly (A & B)** from the **Main Body (E)**. (See FIG. 5)
2. Remove the **Power Thruster Engine (H)** from the main body and slide engine onto the back of the energy module until it clicks. (See FIG. 6)

## Power Orbiter—See labelling directions Figure G

1. Slide the front hull off the energy module leaving the power thruster engine attached.

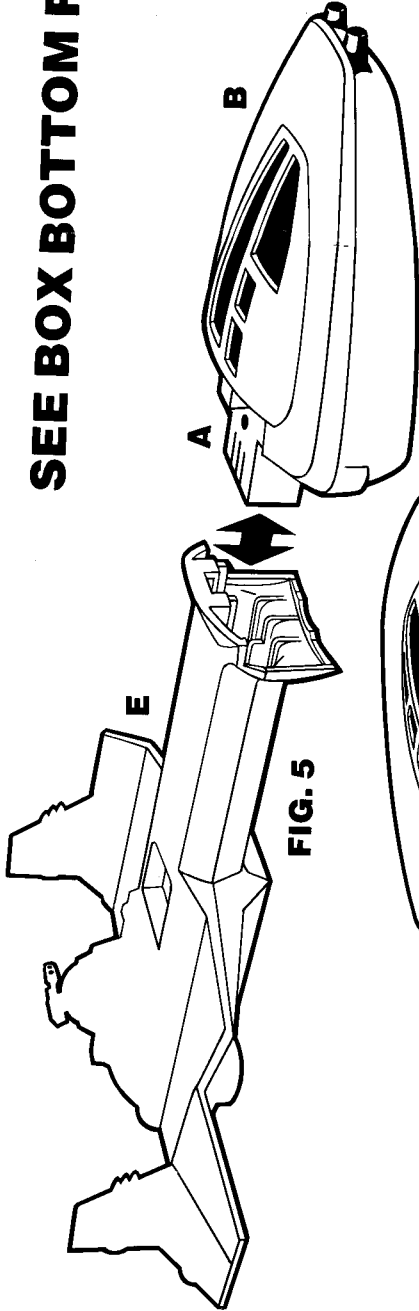


FIG. 5

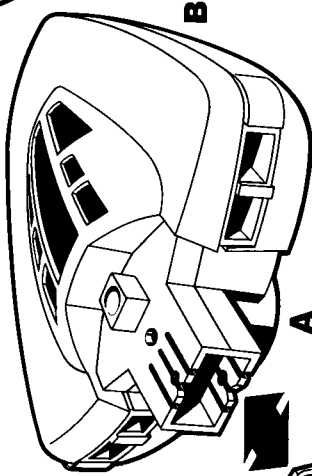


FIG. 6

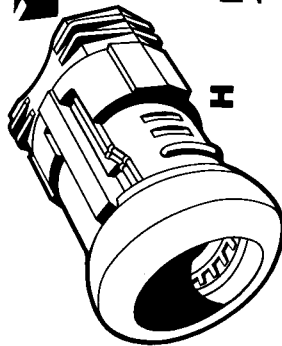


FIG. 7

## Escape Pod

1. Remove the **Retainer Ring (M)** from the **Rotating Gun Turret**, releasing the pod.
2. Remove the pod from the main body and place it onto the retainer ring to form a landing capsule as shown in FIG. 7.

## To Replace Battery

1. Insert coin into groove as shown in FIG. 1 to remove **Battery Cover (C)**. Remove old battery and replace with a fresh one as shown in FIG. 2.

## 90 DAY LIMITED WARRANTY.

This electronic toy from Milton Bradley Company is warranted to the original purchaser for a period of 90 days from the original purchase date—under normal use and service against defective workmanship and material (battery excluded).

This warranty is void if the toy has been damaged by accident or unreasonable use, neglect, misuse, abuse, improper service or other causes not arising out of defects in workmanship or materials.

Milton Bradley Company shall not be liable for loss of use of the toy or other incidental or consequential costs, expenses or damages incurred by the purchaser. Some states do not allow the exclusion or limitation of incidental or consequential damages, so the above limitation or exclusion may not apply to you.

During the warranty period, your toy will either be repaired or replaced without charge to the purchaser when returned, shipping prepaid to Milton Bradley Company with proof of purchase date to the address listed below. In the event that your toy is replaced, the replacement toy will be continued on the original warranty or for 30 days, whichever is longer.

Important—before returning your toy for repair, carefully read the mailing instructions below. Check the battery and be sure that you do not return it with the toy.

This warranty gives you specific legal rights and you may also have other rights which vary from state to state.

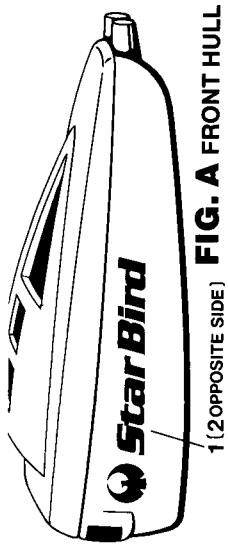
## MAILING INSTRUCTIONS

If the original package is available, re-pack Star Bird in its cardboard liner and box. If the original box is not available, wrap carefully, making sure to surround it with adequate padding. Do not send the battery along with the toy. Mail to:

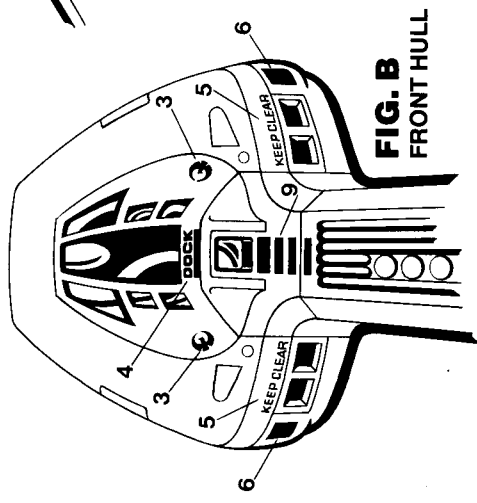
Milton Bradley Co.  
Attn: Electronics Quality Control  
Building 104, Lincoln Street/Federal Square  
Springfield, MA 01105

4852-X1

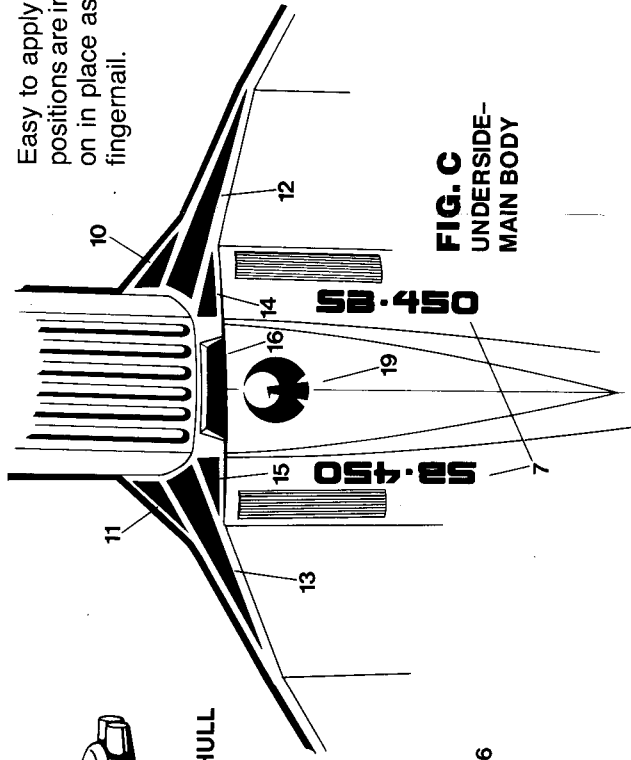
# LABELLING DIRECTIONS



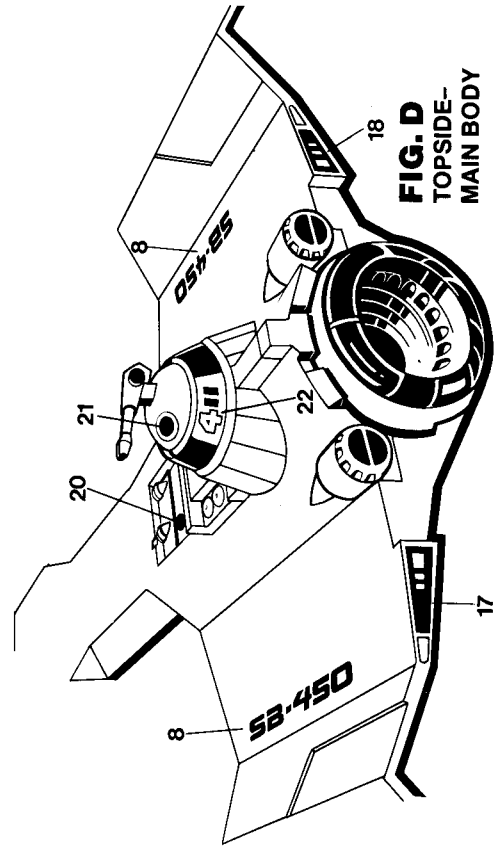
**FIG. A** FRONT HULL  
1 (2 OPPOSITE SIDE)



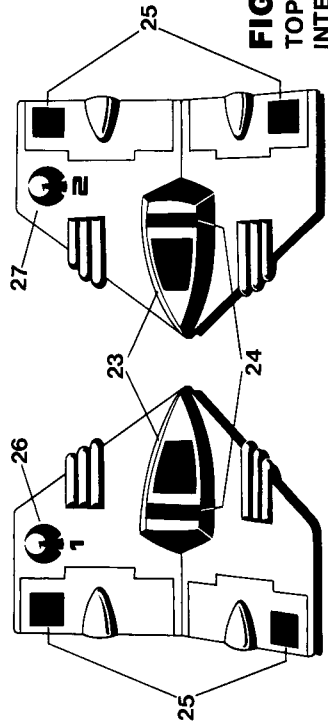
**FIG. B** FRONT HULL



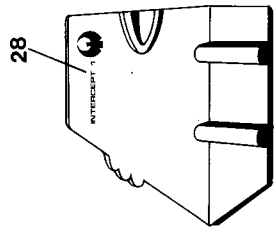
**FIG. C** UNDERSIDE-MAIN BODY



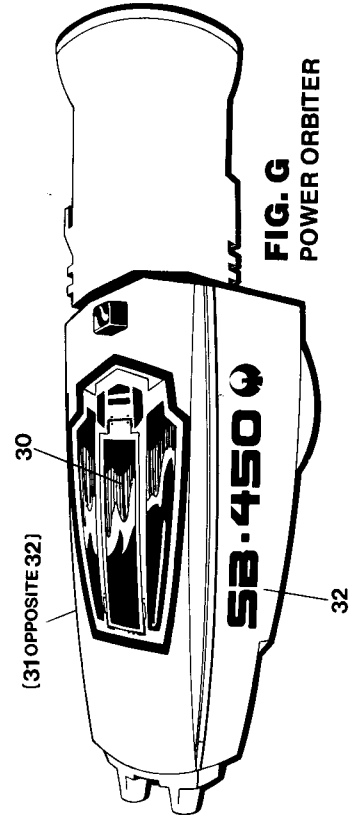
**FIG. D** TOPSIDE-MAIN BODY



**FIG. E** TOPSIDE-INTERCEPTORS



**FIG. F** UNDERSIDE-INTERCEPTORS



**FIG. G** POWER ORBITER

## OPERATING PROCEDURES

Once you have Star Bird assembled and labelled, you're all set to take off on your mission. Switch on engines to activate energy module. Point nose of craft **up** to hear sounds of engines accelerating. Keep Star Bird in **level** position for a constant pitch of pulsating engines.

Point nose **down** to hear engines decelerating.  
Press fire button (located on top of energy module) to see the flash and hear the blast of shooting lasers.