

**AGES 3+**  
**06706**

**PLAYSKOOL**

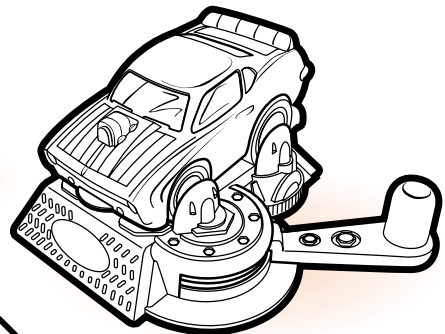
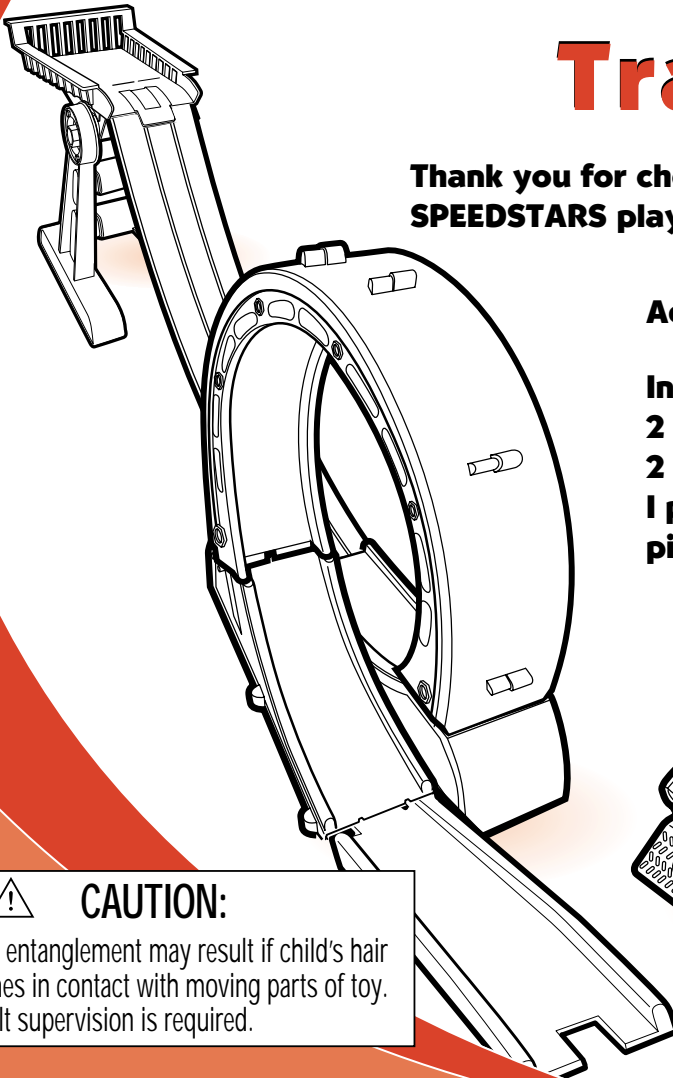
**SPEEDSTARS**

# Extreme Loop™ Track

**Thank you for choosing this awesome  
SPEEDSTARS playset!**

**Adult Assembly Required.**

**Includes 1 car body, 1 chassis,  
2 loop pieces, 1 flexible track,  
2 base pieces, 1 exit ramp,  
1 power winder, 3 tower  
pieces and label sheet.**

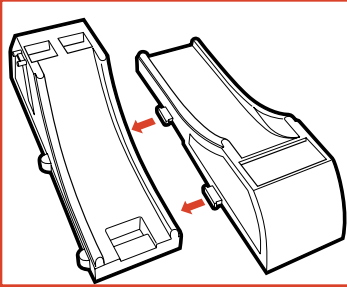


## **CAUTION:**

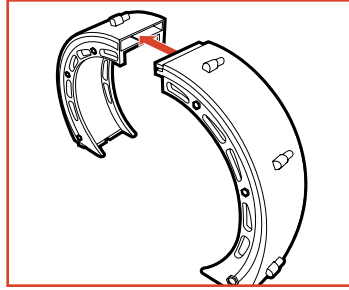
Hair entanglement may result if child's hair comes in contact with moving parts of toy. Adult supervision is required.

# ASSEMBLY

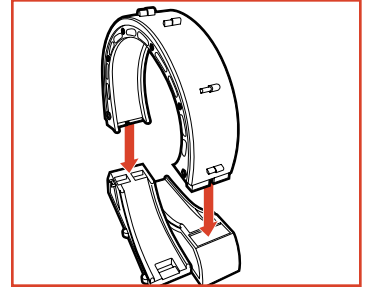
1. Snap 2 base pieces together (tabs into slots).



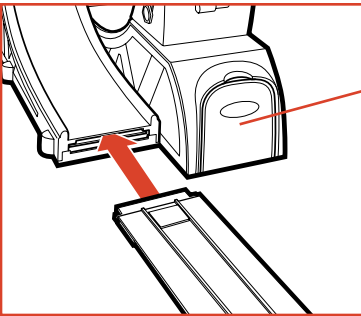
2. Snap 2 loop pieces together.



3. Snap loop and base assemblies together.

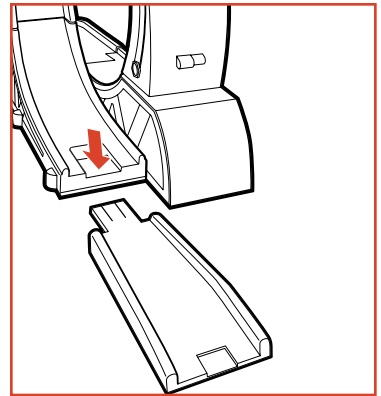


4. Fit lip on flexible track into top slot on base piece (garage side). Press down arrow on track and fully insert lip into base piece.

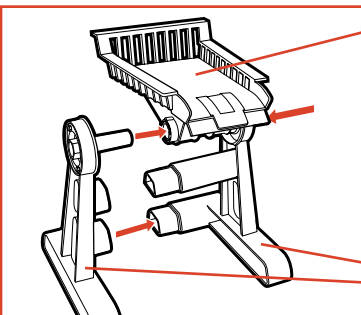


**GARAGE**

5. Snap exit ramp onto base.



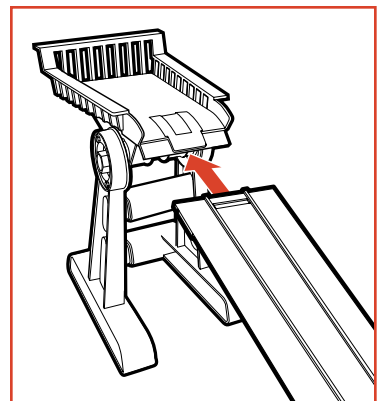
6. Assemble 3 tower pieces: Snap pins on legs into holes in tower ramp and snap bottom of legs together. (Listen for snaps to ensure proper assembly.)



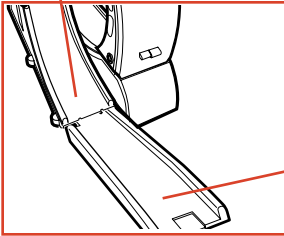
**TOWER RAMP**

**LEGS**

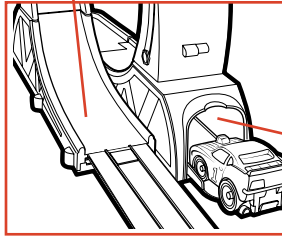
7. Snap flexible track onto tower.



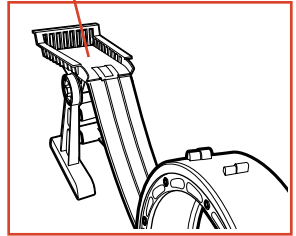
8. Peel and apply labels as shown.



**EXIT RAMP**



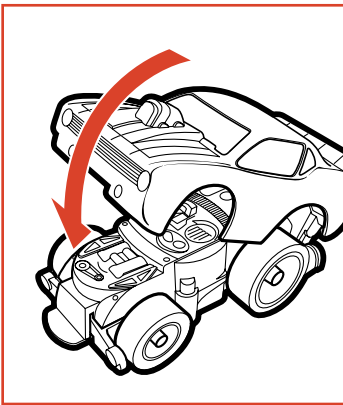
**GARAGE**



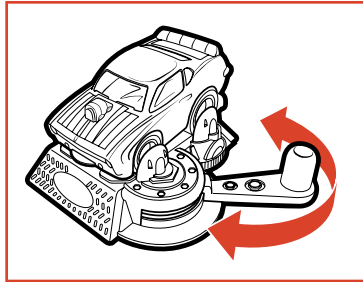
## PLAY FEATURES

Enjoy awesome thrills and spills with this stunt loop designed just for preschoolers!

- Snap the car body onto the chassis...

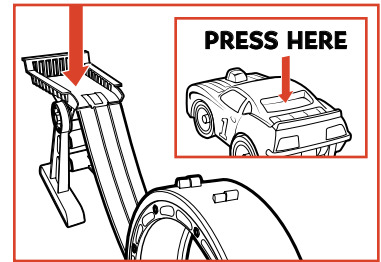


- Place the car onto the power winder, hold the car in place and crank the handle until the car is fully wound (approximately 10-15 times)...

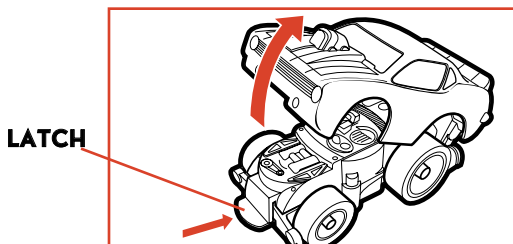


- Place the car on the starting pad, press the button and watch it zoom around the loop!

**Note:** For best performance, be sure the flexible track is straight.

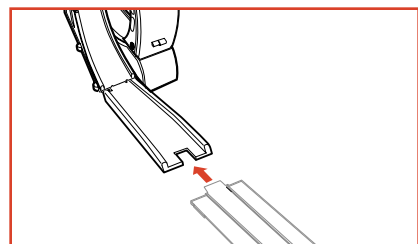


- Push in latch on front of chassis to remove car body from chassis.



**LATCH**

- Connect other track pieces from SPEEDSTARS sets (not included) to the exit ramp!

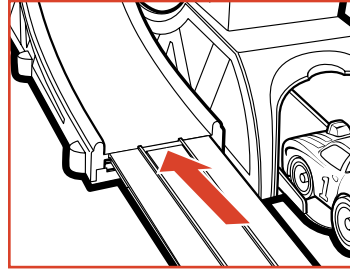


# STORAGE

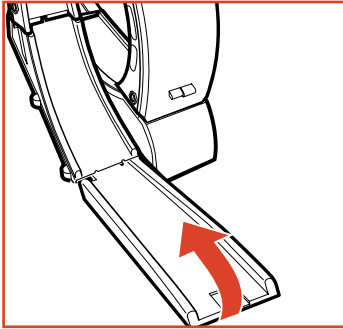
- Flip down tower ramp (flexible track remains attached).



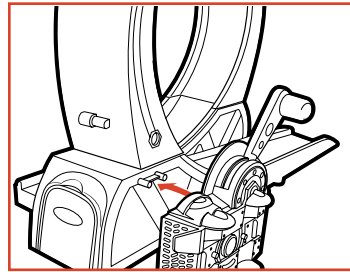
- Press down arrow on flexible track and insert track into base piece.



- Flip up the exit ramp.



- Store the power winder on the side of the base (posts on base into holes in power winder).



- Store the car in the "garage" inside the base.

