



SKY RACERS™ INSTRUCTION SHEET

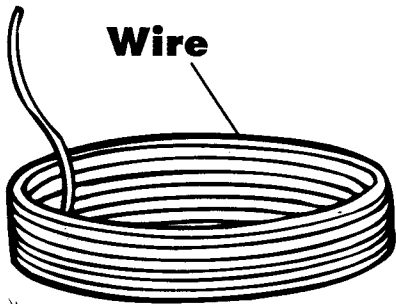
IMPORTANT - READ FIRST!
PARENTAL SUPERVISION RECOMMENDED
FOR FIRST TIME SET UP.

Welcome to the world of Sky Racers™. Sky Racers™ is the first and only vehicle system that allows you to control the vehicles and the track layout as you never have before. Are you ready for the challenge?

Read this instruction sheet carefully to familiarize yourself with Sky Racers™ before you play.

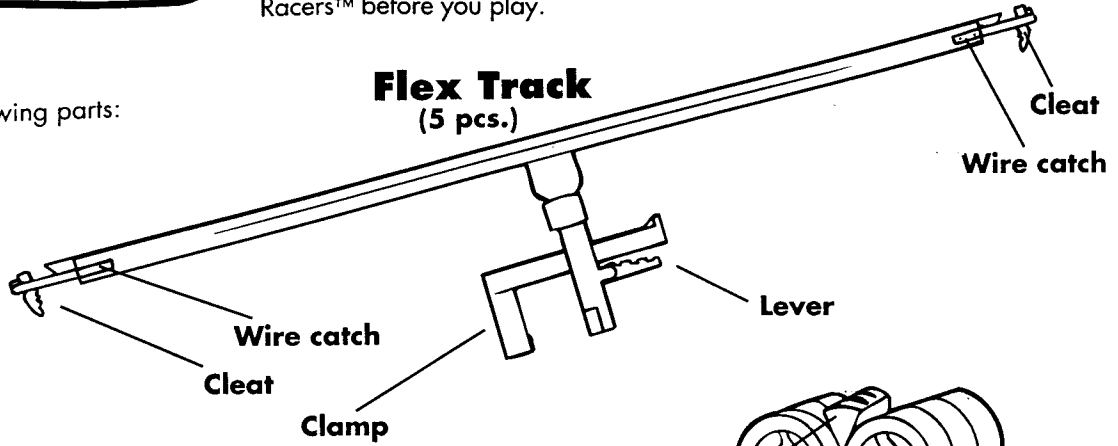
CONTENTS:

Please make sure you have the following parts:



Wire

150 foot roll



Flex Track
(5 pcs.)

Cleat

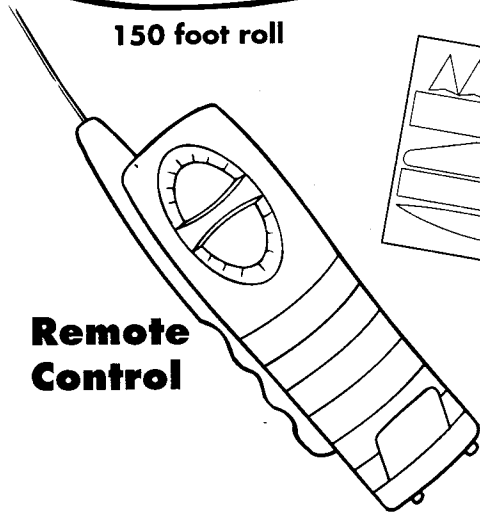
Wire catch

Lever

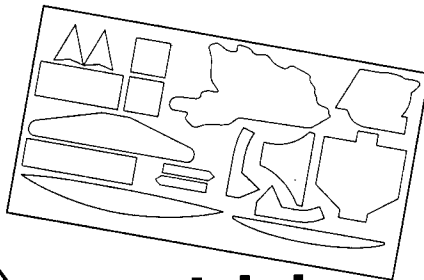
Wire catch

Cleat

Clamp



Remote Control



Label Sheet

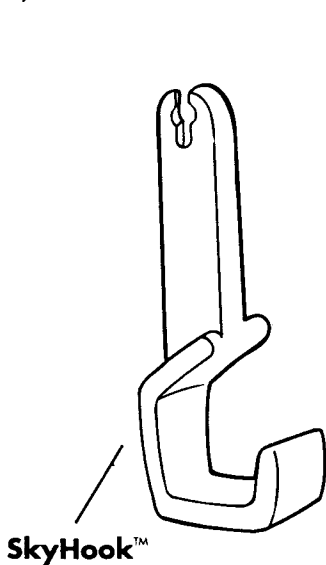
Sky Racer Vehicle

On/Off Switch

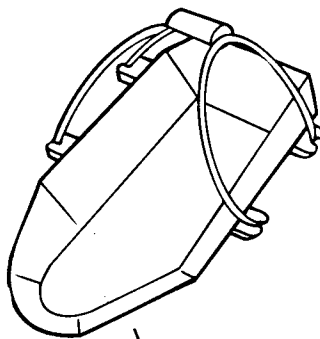
Safety Clip

ACCESSORIES

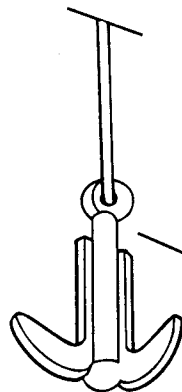
Sky Racers™ come with several action accessories, including: SkyHook™, Rescue Basket, Rescue Winch and Crane, and Sky Clamp™



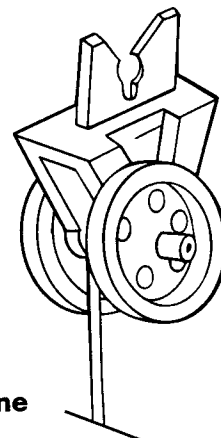
SkyHook™



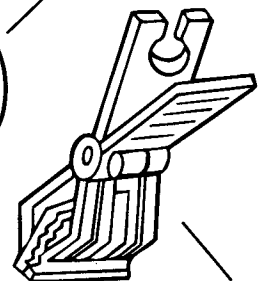
Rescue Basket



Crane



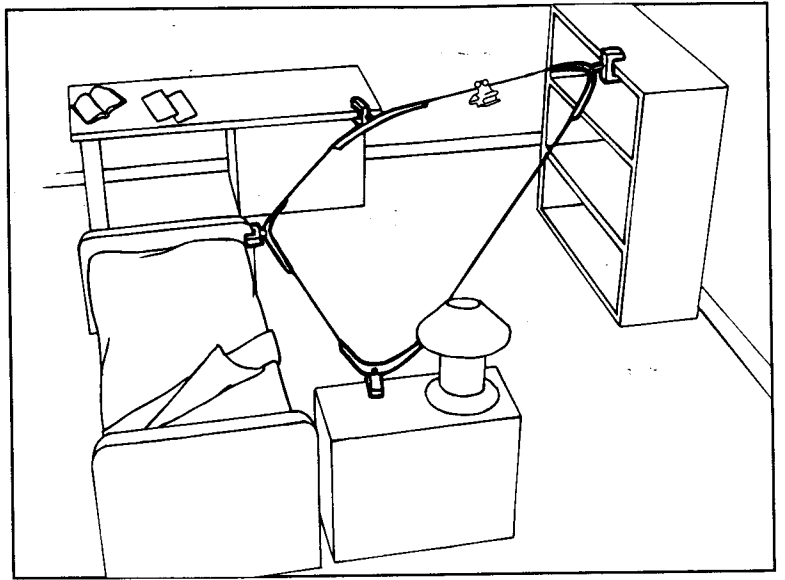
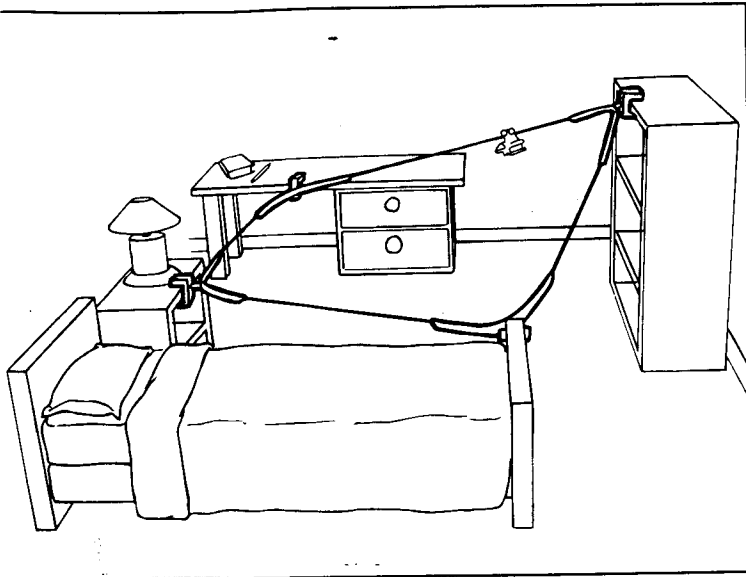
Rescue Winch



Sky Clamp™

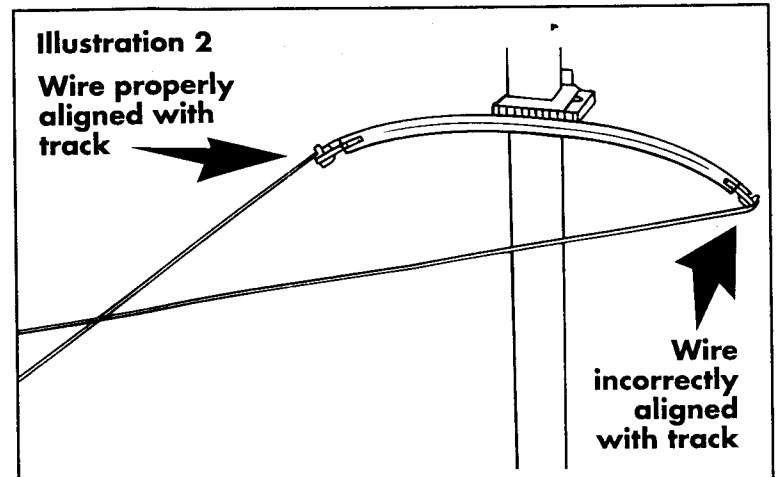
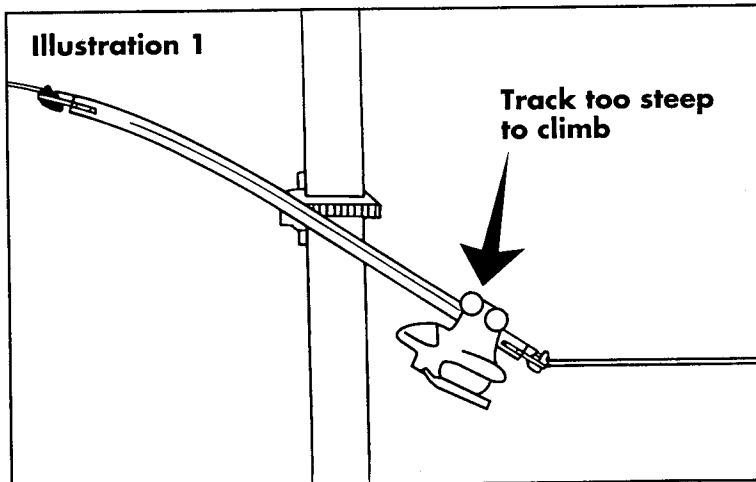
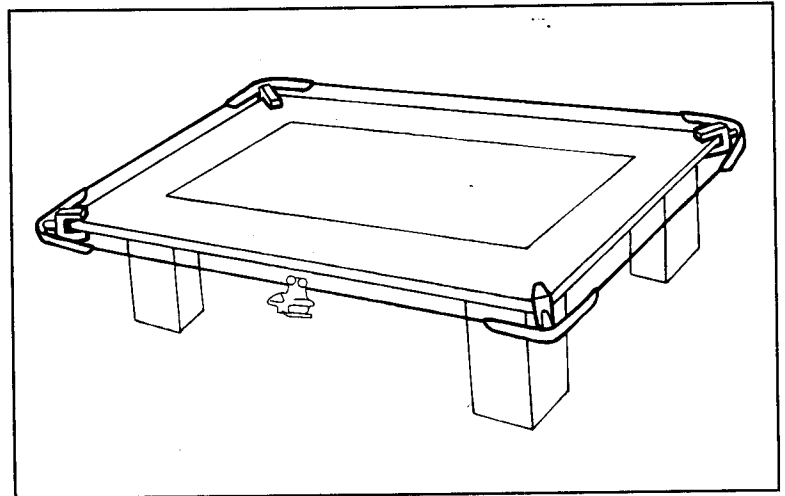
STEP 1: DESIGN YOUR TRACK SYSTEM

Below are some pictures of possible track configurations. It is important to design your track before you begin setting it up.



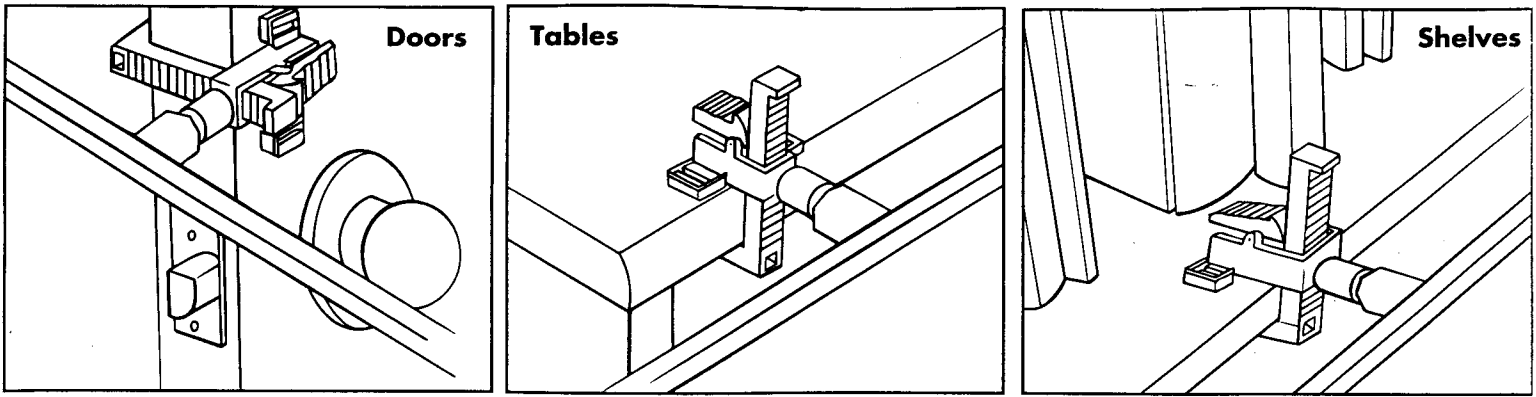
IMPORTANT:

1. Sky Racers™ vehicles are designed to be free wheeling, so they will travel faster down hills and slower up hills. Use this information when laying out your tracks, especially when planning the use of the action accessories.
2. Sky Racers™ are safe for outdoor use during dry conditions. However, never use the vehicle in the rain, as it could damage the vehicle. Never set up the track so the vehicle rides over or near standing water.
3. Sky Racers™ are designed to be set up anywhere, so please use caution to avoid areas where people or pets are likely to walk. While the wire is very visible, it is important to alert others where your track is set up, to avoid potential accidents.
4. Flex tracks allow you to vary the degree of turn you want for each curve. **URNS THAT ARE TOO SEVERE WILL CAUSE PERFORMANCE TO SUFFER.** (Illustrations 1 and 2)



STEP 2: SECURE CLAMPS

1. Clamps can be secured on items such as bookshelves, desks, window edges, doors, door frames, bedposts, etc.

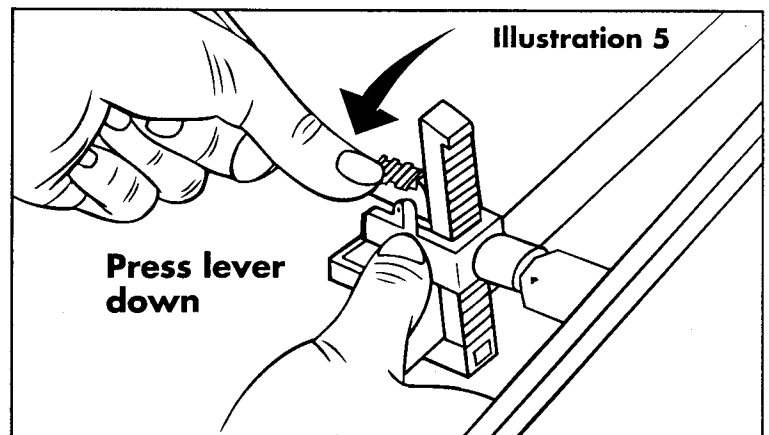
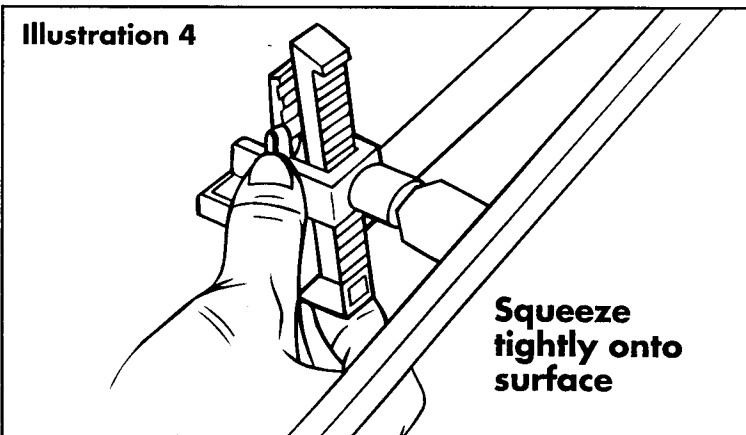
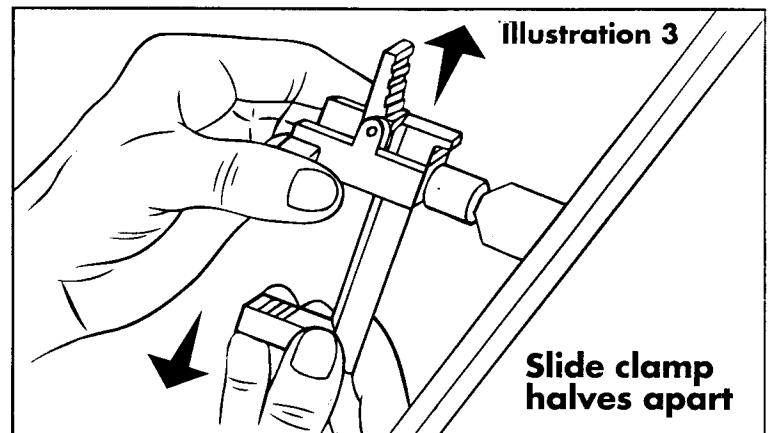
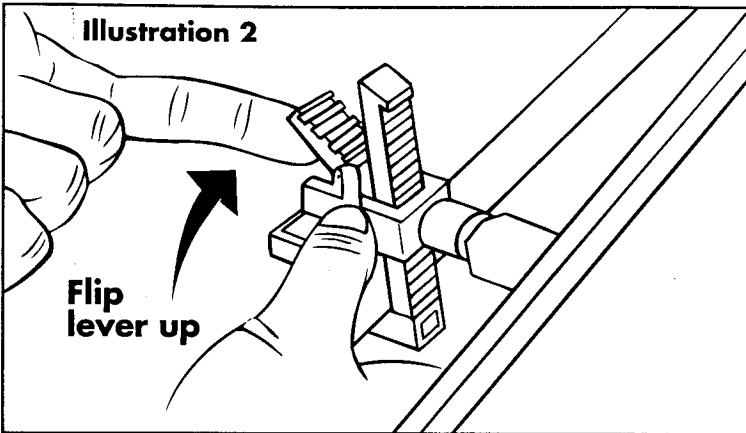


2. Make sure the lever is in the open position by flipping it up. (Illustration 2)

3. The Clamp can slide up and down to adjust to various thicknesses. (Illustration 3)

4. Squeeze upper and lower sections of the clamp tightly onto the surface (Illustration 4) and lock into place by pressing down lever (Illustration 5)

5. Test the clamp by pulling on it gently. It should remain securely attached to the object.



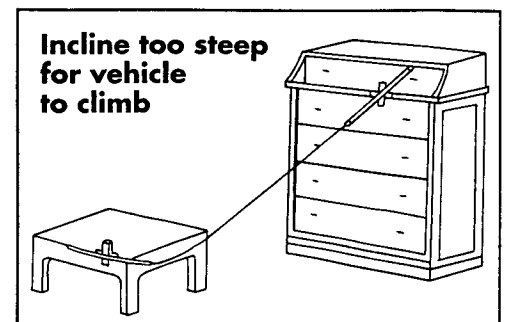
IMPORTANT:

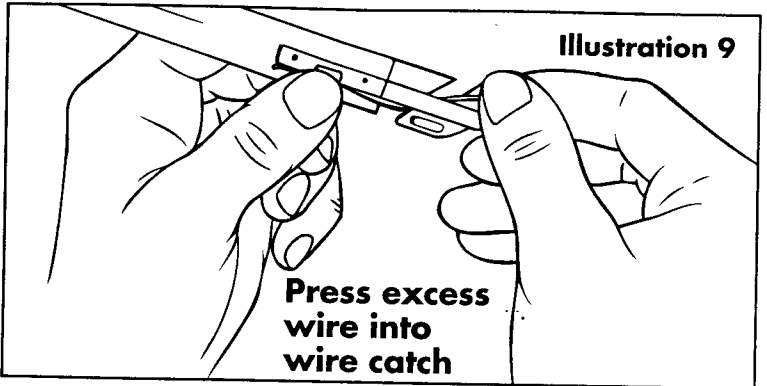
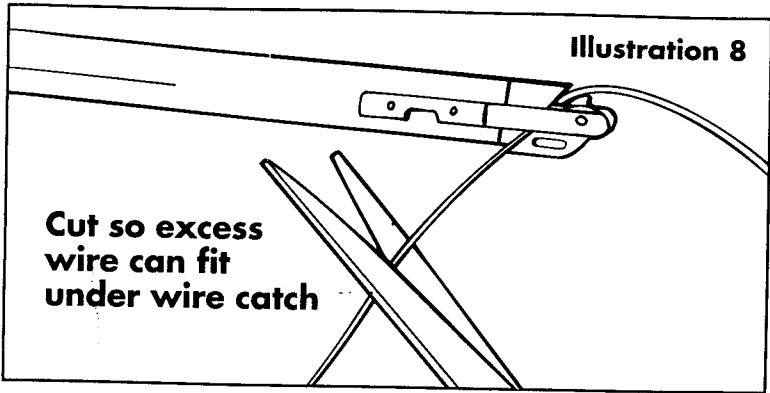
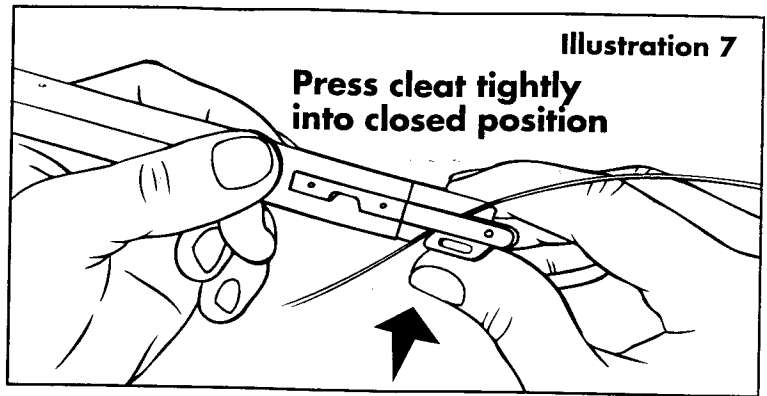
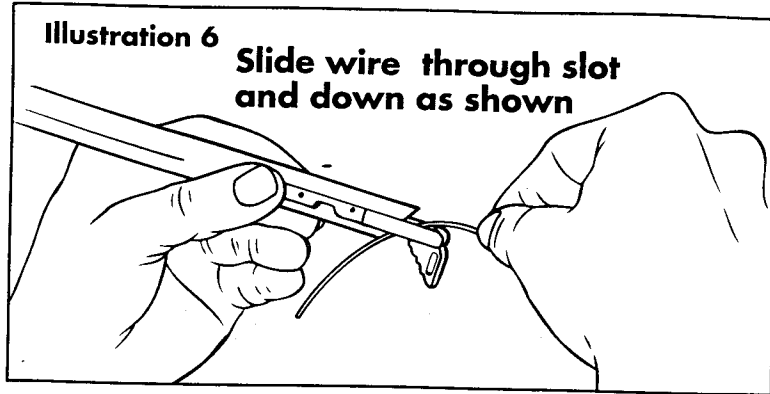
1. Clamp your flex track only to permanent or very heavy objects, like beds, desks, bookshelves, or heavy furniture.

2. Vehicle will have difficulty climbing the flex track if it is mounted at a steep incline as shown (Illustration 1 on page 2), so try to avoid them when setting up your track.

3. Vehicle will have difficulty entering track if wire is connected at a severe angle as shown (Illustration 2 on page 2). Wire should make a straight, smooth transition to the track.

DO NOT CLAMP TO LAMPS OR OTHER ITEMS THAT CAN EASILY TIP OVER.





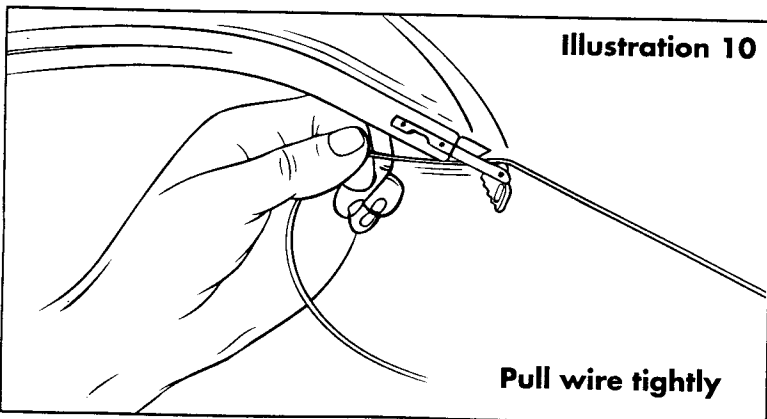
STEP 3: ATTACH THE WIRE

Now you need to attach the wire to the tracks.

1. Insert the end of the wire into the cleat at the end of your flex track. (Illustration 6)
2. Make sure you leave about 1" of wire through the bottom of the cleat.
3. Close the cleat securing the wire to the track (Illustration 7)
4. Using a pair of scissors (have your mom or dad help you with the scissors!), cut the excess wire, leaving about 1". (Illustration 8)
5. Insert the excess wire into the wire catch as shown: (Illustration 9)
6. Take the wire over to the next track and repeat steps 1-3.
7. Repeat step 4.
8. Repeat the above steps until your track system is complete.

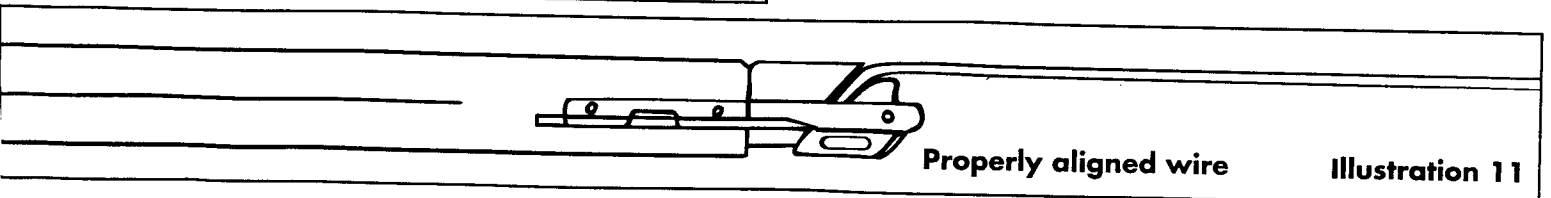
IMPORTANT:

1. Make sure wire is pulled tightly from one track to the other.
2. When measuring the amount of wire needed between tracks, make sure to leave extra wire. Excess can always be trimmed after the track is complete.



3. It is important that after the track is set up, you must go back to each track section and tighten up the slack and recut the wire so that your Sky Racers vehicles run smoothly along the track. (Illustration 10)

4. Make sure the excess wire from each track is stored in the wire catch as shown in Illustration 11. **EXCESS WIRE HANGING OFF THE TRACK WILL DECREASE PERFORMANCE, AND POSSIBLY DAMAGE THE VEHICLES.**



STEP 4: INSERT BATTERIES:

1. Remove 2 screws from the door beneath the Sky Racer vehicle to remove. Insert 4 AAA batteries into vehicle as shown.

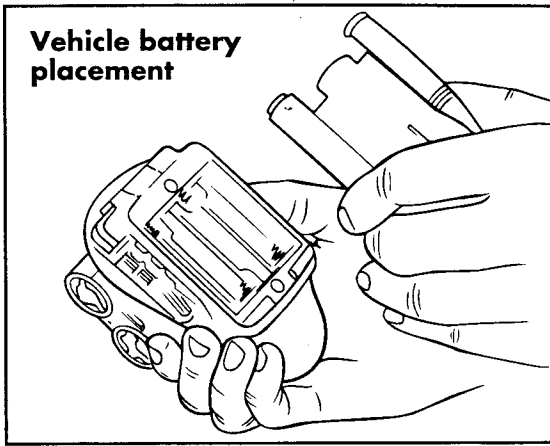
2. Remove screw from the remote's battery door and slide down to insert one 9 volt battery into remote as shown.

WARNING:

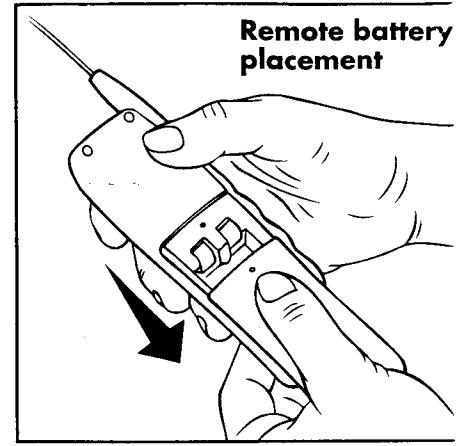
Do not mix old and new batteries

Do not mix alkaline, standard (Carbon Zinc) or rechargeable (Nickel-Cadmium) batteries

Vehicle battery placement



Remote battery placement



STEP 5: PLACE VEHICLE ON TRACK

1. When placing the Sky Racer vehicle on the wire, make sure the vehicle is facing the track as shown. (Illustration 12)

2. Pull back the vehicles safety clip (Illustration 13) and gently place the wheels on top of the wire. Release the safety clip. (Note: The wire should rest between the wheels and the safety clip as shown in illustration 14)

IMPORTANT:

1. It is critical that you mount the vehicle the correct way. Incorrect mounting will cause damage to the vehicle and the flex track. (Helpful hint: If a vehicle hits the clamp, it is mounted incorrectly)

2. Use 2 hands when attaching a vehicle and make sure it's at a comfortable height.

3. Sky Racers vehicles are durable, but repeated falls could damage the vehicle. Use extreme care when attaching the vehicle.

Illustration 12

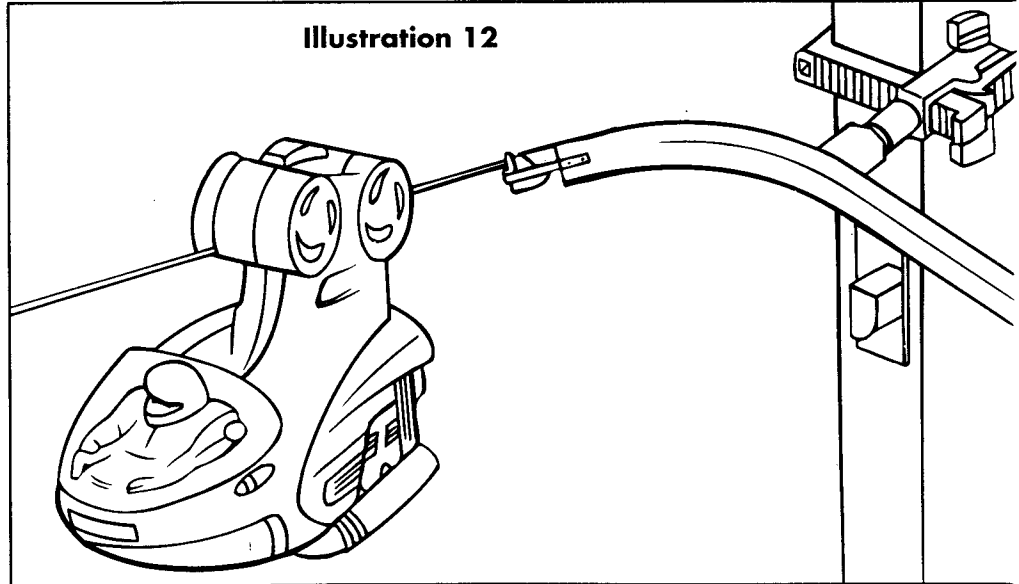
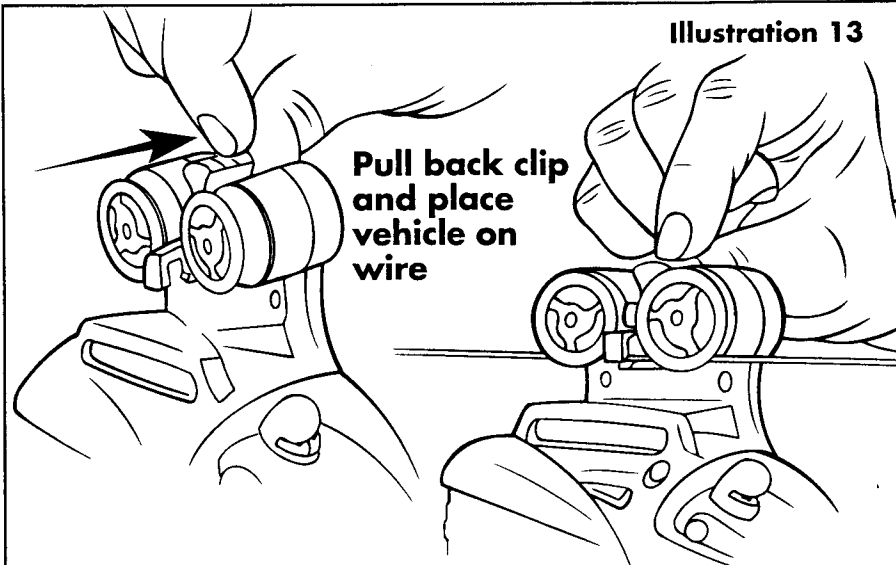


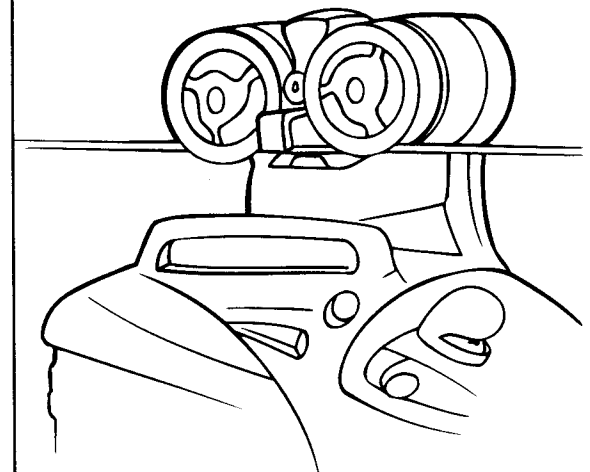
Illustration 13



Pull back clip and place vehicle on wire

Illustration 14

Vehicle properly attached on wire

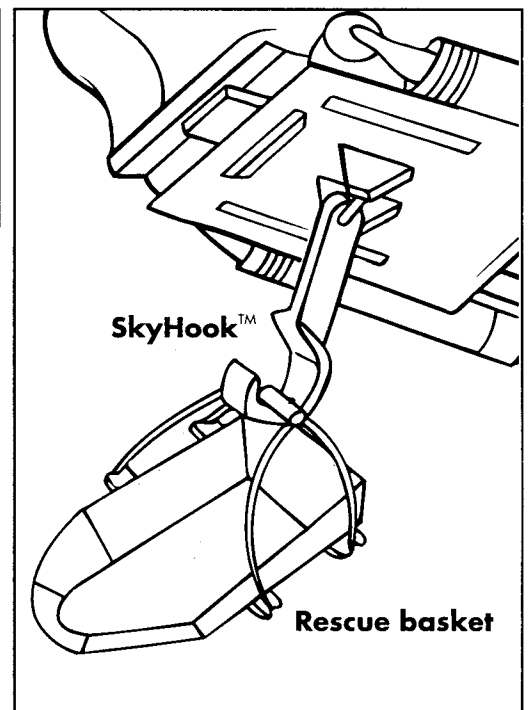
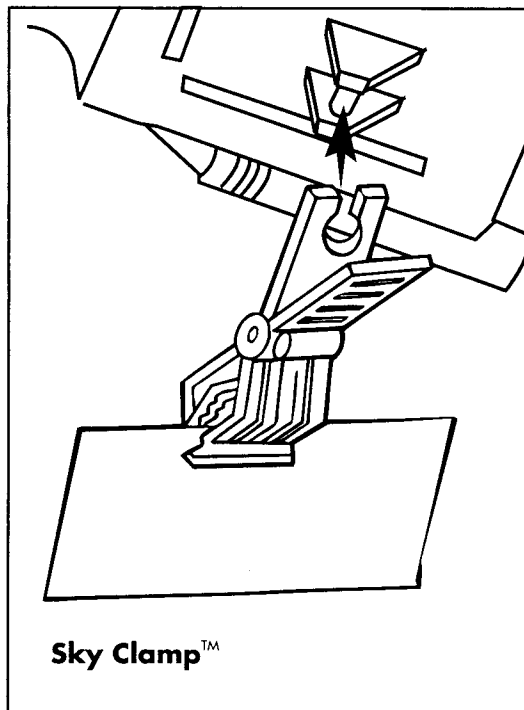
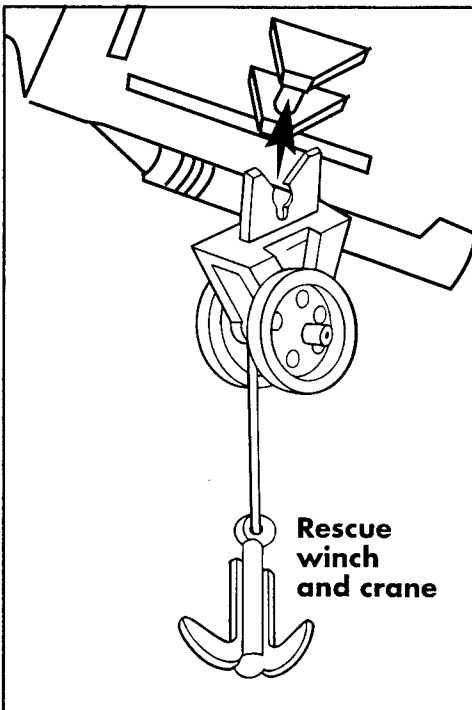
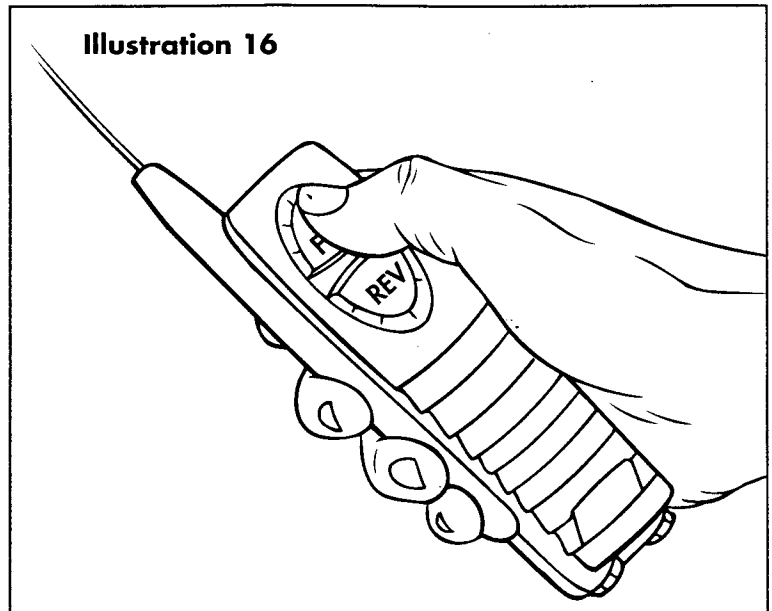
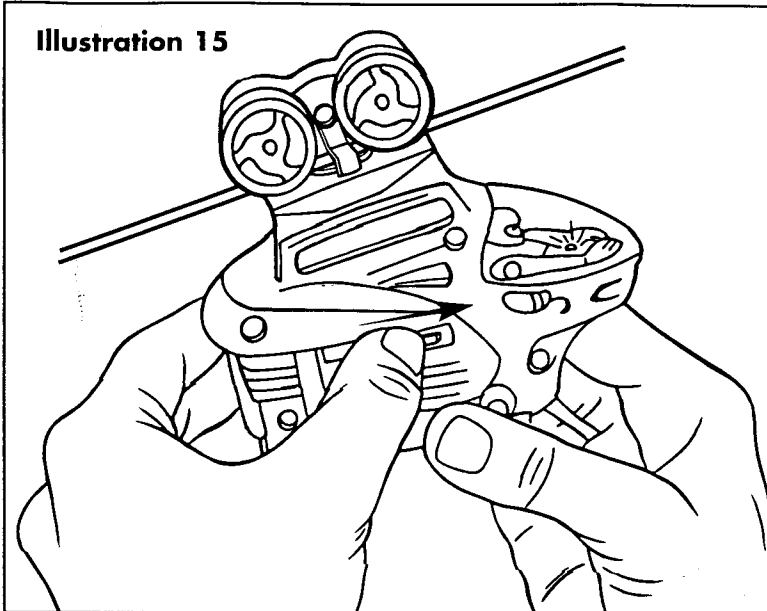


STEP 6: OPERATING YOUR SKY RACER

1. After making sure your vehicle is securely attached to the wire, slide the switch on the vehicle forward (light in front will go on) and your Sky Racer is ready to go! (Illustration 15)
2. The remote controls forward and reverse direction. Pressing and holding the forward button will make the vehicle go forward, holding the reverse button will make the vehicle go in reverse. (Illustration 16)

IMPORTANT:

1. Quick shifts between forward and reverse are bad for the vehicle. Try to avoid them.
2. Like any vehicle, operating a Sky Racer takes skill. Turns are smoother if you let up on the forward button when entering the turn.



STEP 7: ACCESSORIES

Sky Racers come with several action accessories that can be hooked onto the vehicle: (pictured above) SkyHook,™ rescue basket, rescue winch and crane, and Sky Clamp.™

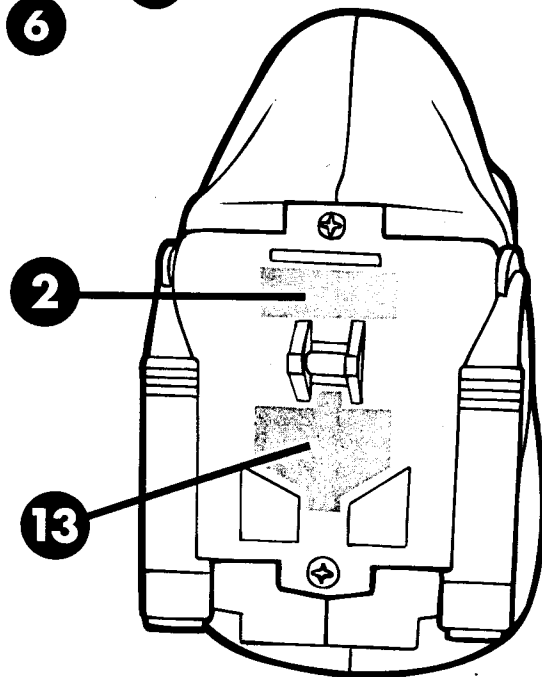
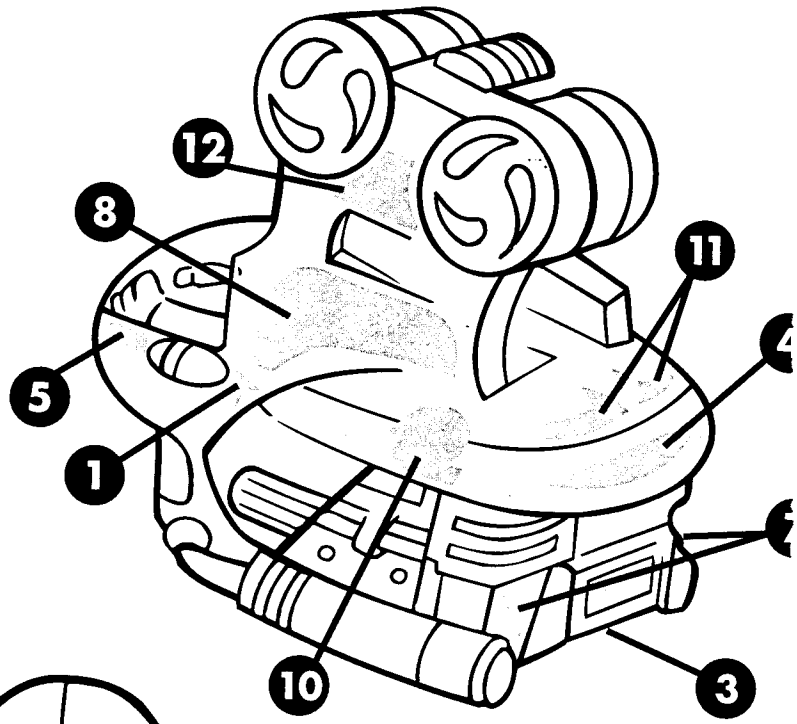
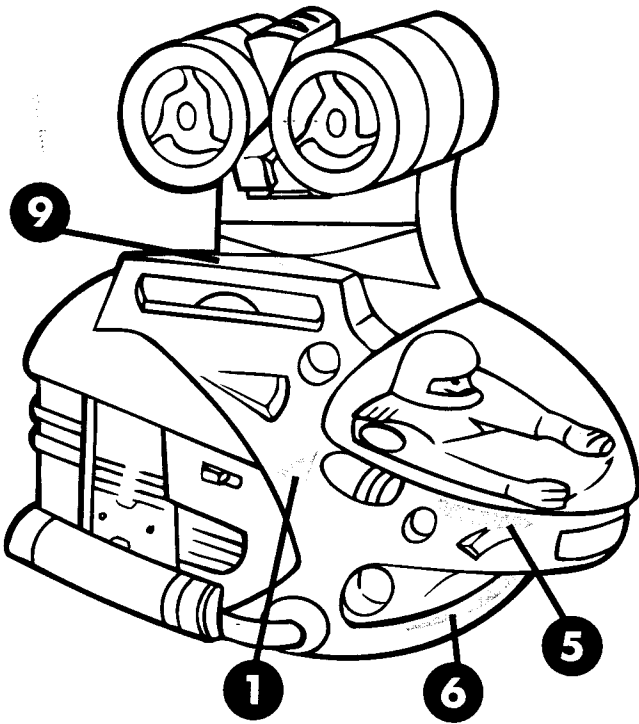
IMPORTANT: The vehicle and accessories are designed for use with paper and small lightweight objects. They are not designed to hold heavy articles which could damage the vehicles, accessories or the track.

VEHICLE CARE AND MAINTENANCE:

1. To clean a Sky Racers™ vehicle or the remote, wipe with a clean, damp cloth. Do not use alcohol or any detergent materials on your vehicle. **NEVER** submerge a Sky Racers™ vehicle in water.
2. During extended periods when you will not be playing with Sky Racers™, remove the batteries from the vehicle and the controller.
3. Store Sky Racer™ vehicles in a cool, dry place. Excessive heat or moisture can damage the vehicles.
4. Do not paint a Sky Racers™ vehicle.

LABEL PLACEMENT

Place the custom SkyRacers™ labels on the vehicle as shown in the following two illustrations. The numbers correspond to the numbers on the label sheet.



Bottom view

TROUBLESHOOTING:

Normally, one of these solutions will solve any problems you are having with Sky Racers.

1. Vehicles won't run

- Make sure batteries in vehicle and remote are installed correctly and are fresh.
- Make sure vehicle switch is in the "on" position.
- Make sure the remote is within 30 feet of the vehicle.
- Make sure you are using the correct remote for the vehicle (Super Skyway set only).

2. Vehicle performance is poor

- Make sure batteries are fresh in vehicle and remote if vehicle performance is poor (slow, jumpy)
- Make sure the remote is within range.
- Make sure vehicle is correctly positioned on wire. (see Illustration 15)

3. Vehicle is not riding smoothly or not making turns

- Make sure wire is tight between the tracks so vehicle can turn smoothly onto the tracks.
- Make sure the vehicle is facing the correct way so it doesn't get stuck while riding on the track.
- Make sure the inclines of the wire are not too steep for vehicles to climb.

WARNING: Changes or modifications to this unit not expressly approved by the party responsible for compliance could void the user's authority to operate the equipment.



WARNING: CHOKING HAZARD-
Small parts. Not for children under 3 years