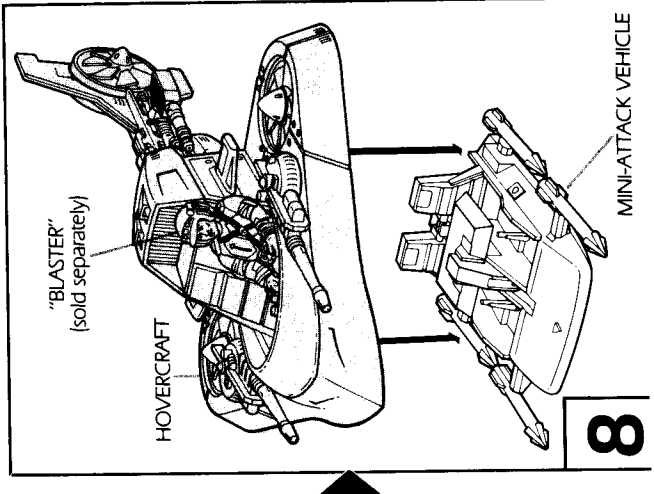
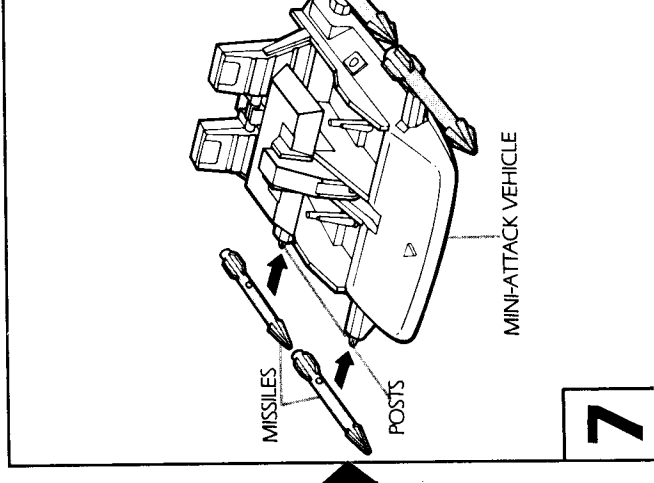
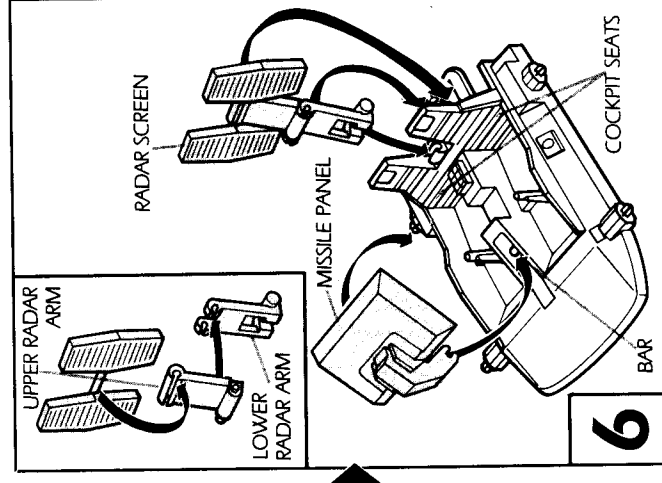
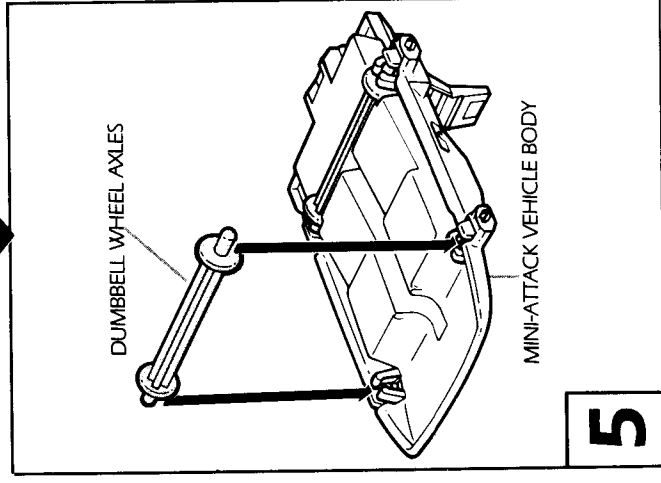
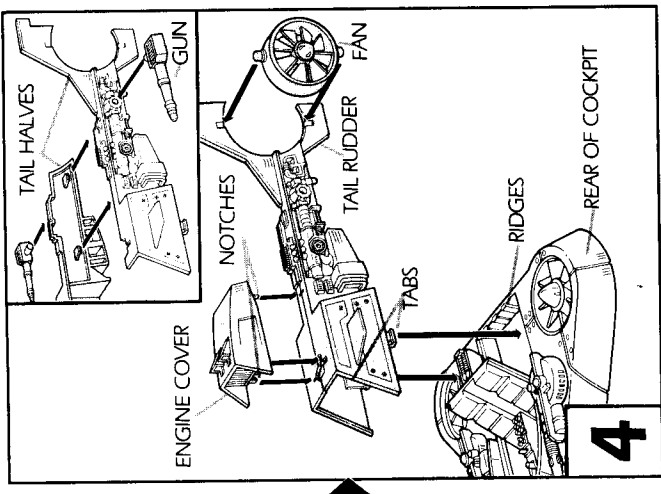
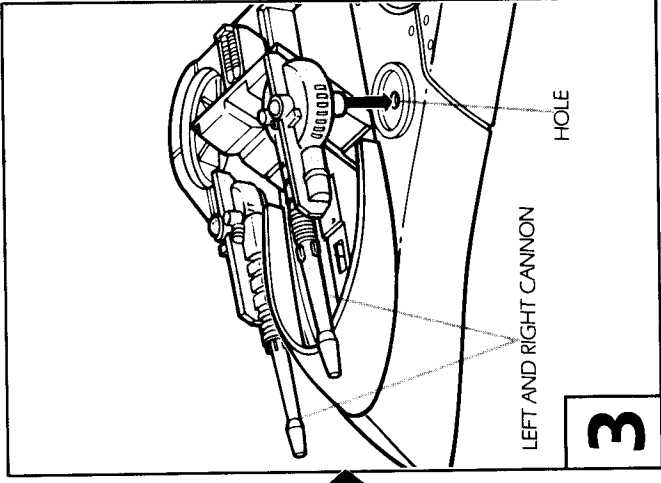
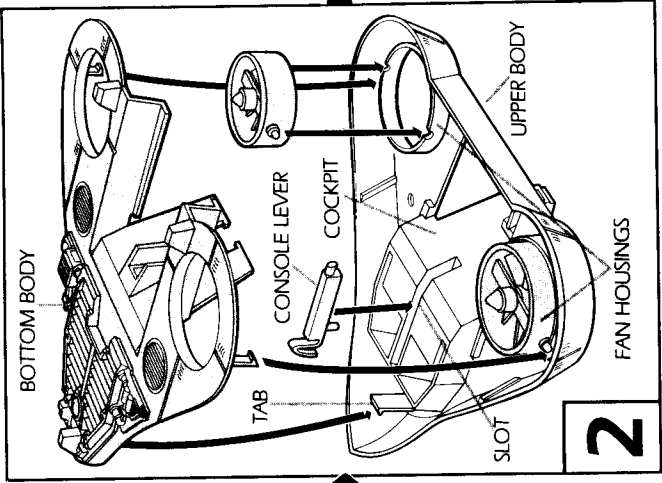
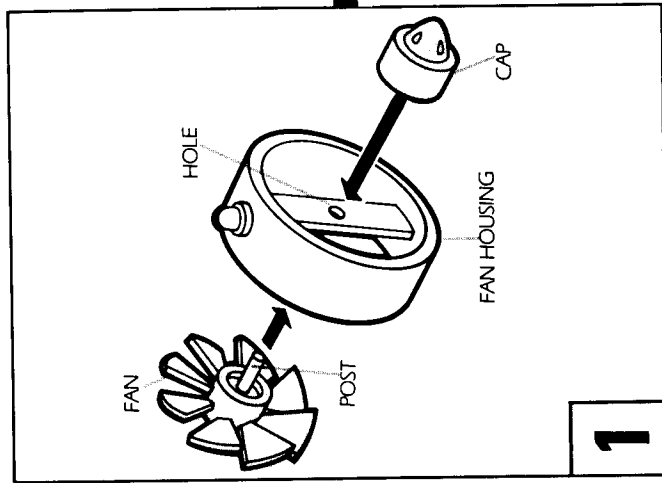


Remove all pieces from plastic frames. If you have difficulty, use safety scissors.

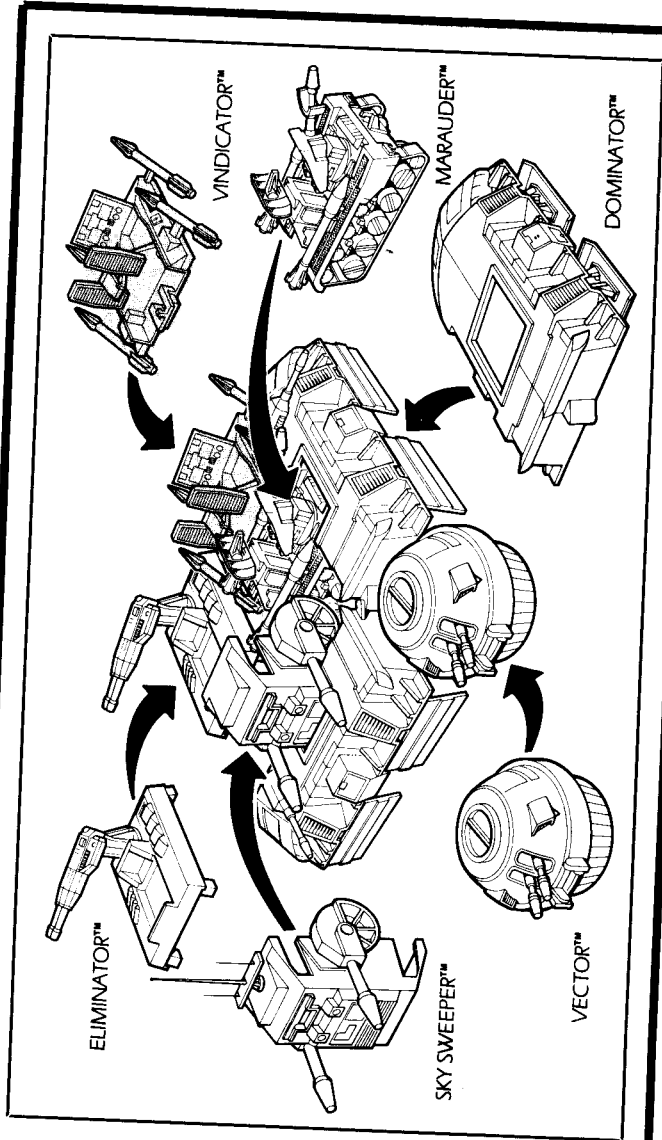


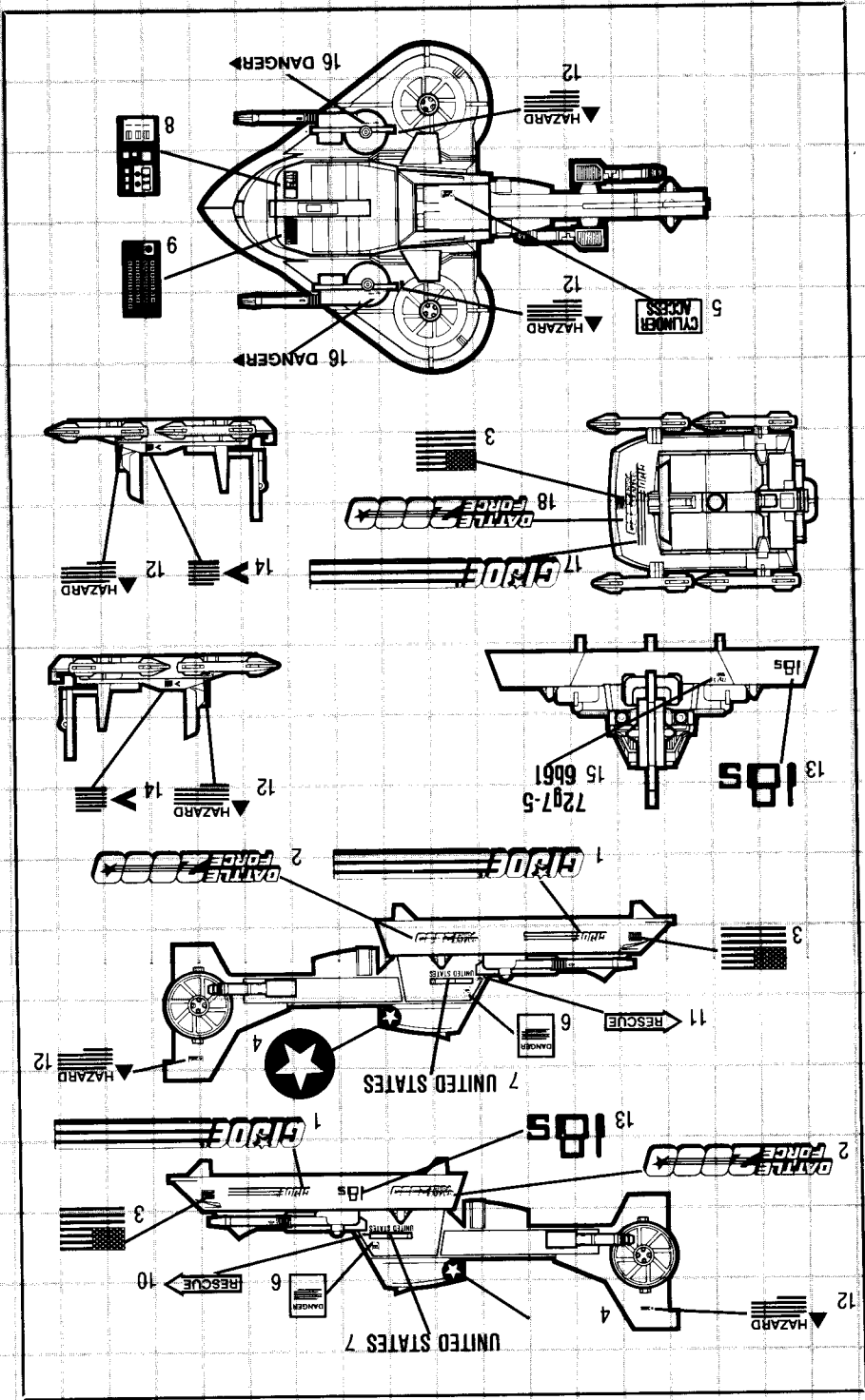
1. Fit post on fan into hole in fan housing. Fit cap over post. (Cap assembly should allow for fan to rotate freely.) Repeat process for other 2 fans. (ILL 1)
 2. Turn upper body upside down. Fit posts on fan housings into notches underneath upper body. Place console lever into slot under cockpit. (Make sure lever appears through hole in body top.) Snap holes in body bottom front over tab in upper body front, then repeat for rear tabs (2). Make sure to snap tab on bottom of console. (ILL 2)
 3. Turn body right side up. Snap posts on left and right laser cannons into holes in body. (ILL 3)
 4. Snap tail halves together. (Note: squeeze rear section to insure proper fit.) Snap posts on tail guns into side holes. (INSET)
 5. Snap fan into notches in tail rudder. Snap engine cover over engine detail. Snap tabs on tail over opening in rear of cockpit.
 6. Turn mini-attack vehicle body upside down. Snap dumbbell wheel axles into notches. (ILL 5)
 7. Snap upper radar arm into notches in lower radar arm. Snap upper radar arm onto bar on radar screen. (INSET). Snap lower radar arm into notch between cockpit seats. Fold down radar screen and fit into back of cockpit seats. Snap notches on missile panel over bar in cockpit center. (ILL 6)
 8. Snap missiles (4) onto posts on sides of mini-attack vehicle. (ILL 7)
- Snap Vindicator's Hovercraft over Mini-attack vehicle. To disengage the mini-attack vehicle from the Vindicator, press the console post in the Hovercraft cockpit forward. *Make sure missile panel is in down position as shown. Fit Battle Force 2000 figure in cockpit. (Vindicator pilot BLASTER™ sold separately.)

FUTURE FORTRESS INSTRUCTIONS:

Collect all 6 Battle Force 2000 vehicles to form the ultimate stronghold . . .
Future Fortress™!

The six prototype attack vehicles combine to form the most indestructible stronghold in the world . . . the Battle Force 2000 Future Fortress™! Dominator's side walls open, creating the fortress' battle emplacements. With the emplacements secured, Vector's battle turret jettisons from the fighter and lands in between the wall to form the corner! To safeguard the left emplacement with flank firepower, Sky Sweeper's Sentry Post stands guard behind the emplacement with its powerful cannons poised for action! While providing tactical air cover during the fortress' "link-up" operations, Vindicator's rocket sled is ejected from the craft and deployed on the fortress' northeast flank! Marauder's tank churns through the mud to secure itself behind Dominator's right battle emplacement, ready to open fire on the Cobra invaders! Just as Marauder's tank assumes its battle station, Eliminator's highly lethal battle platform moves in behind the tank to complete the fortress' formation! With Battle Force 2000's futuristic combat capabilities, G.I. Joe can destroy Cobra™ once and for all!





- 1) TITANIUM-FINNED YAW-CONTROL ROTOR
- 2) VERTICAL STABILIZATION RUDDER
- 3) SIDE-MOUNTED VERTICALLY-PIVOTING 5.56MM MACHINE GUNS
- 4) SUPER-STRENGTH ROTOR SUPPORT BOOM
- 5) "LIFT-OFF" TITANIUM-FINNED HOVER ROTORS
- 6) SUPER-CHARGED "BLOWER" 500 BHP PRIMARY PROPULSION ENGINE
- 7) PIVOTING ANTI-ARMOR GUN SYSTEM (AAGS)
- 8) DUAL PERSONNEL/PILOTING STATIONS
- 9) SECONDARY ENGINE/ROTOR POWER TRANSMISSION
- 10) "DOWN UNDER" 350 BHP ROTOR-DRIVING SECONDARY ENGINE
- 11) ELECTRONIC COUNTER-MEASURE DEFLECTION SCREENS
- 12) FIRE CONTROL DATA-BASE IMAGE TRANSMITTER
- 13) "WHISTLER" LG-9 LASER-GUIDED HEX-FINNED MISSILES

VINDICATOR



