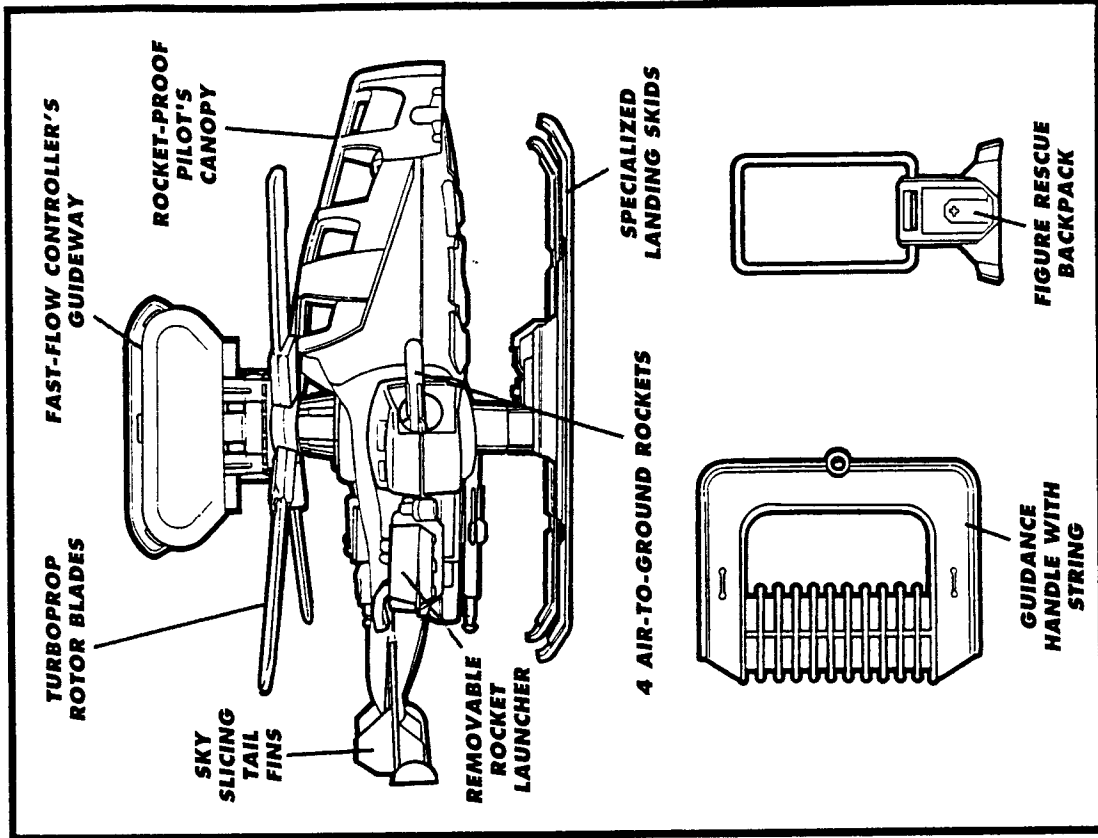


Ages: 5 & Up

RAZOR-BLADE™ Instructions

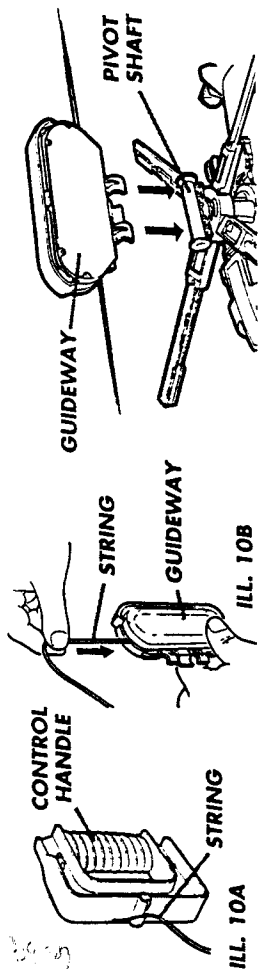
Contains: Razor-Blade top and bottom, launcher, 4 rockets, backpack, 2 control handles, trolley guideway halves, 2 pulleys, canopy, landing skids, tail fin, 4 rotor blades, rotor blade hub, rotor blade pivot shaft, string, accessories and label sheet.



Remove all pieces from plastic frames. If you have difficulty, use safety scissors.

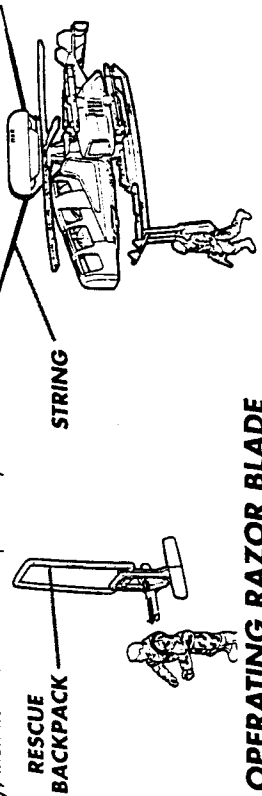
CAUTION: Do not point weapons at eyes or face.

WARNING: Contains Small Parts Which Pose a Hazard For Children Under Age of Three.



10. STRING ATTACHMENT

Tie one end of string (included) to one control handle as shown (ILL. 10A). Fit other end of string through guideway, then tie to other handle (ILL. 10B).

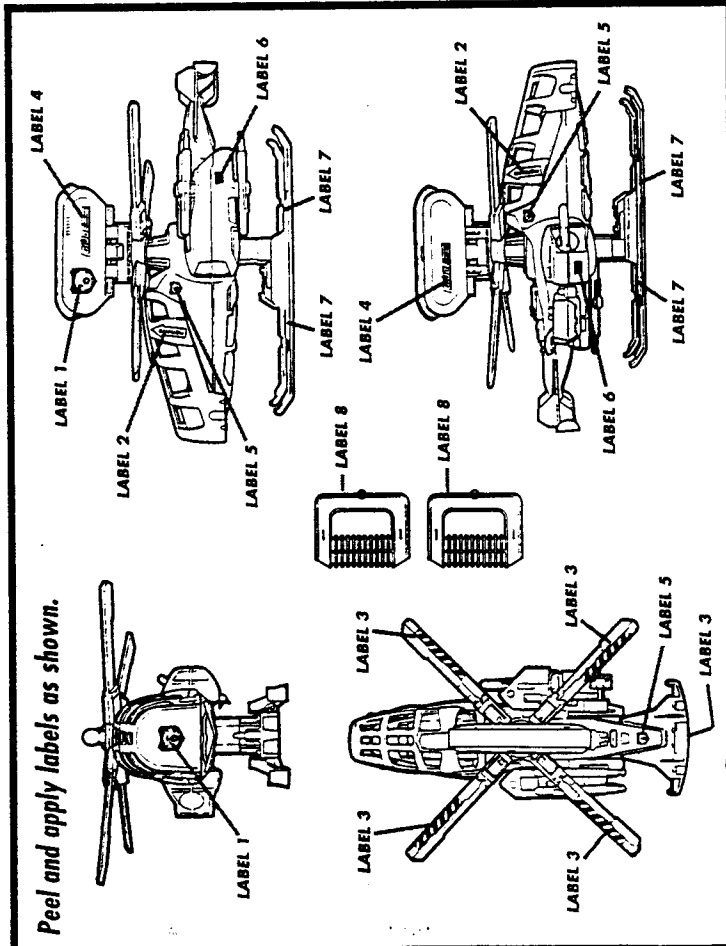


11. TROLLEY GUIDEWAY

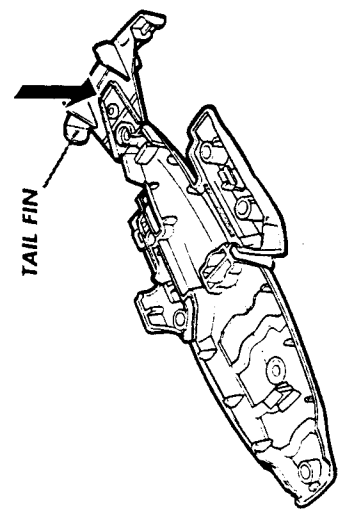
Snap trolley guideway onto end of pivot shaft. Remove guideway for regular hand-held play.

12. OPERATING RAZOR BLADE

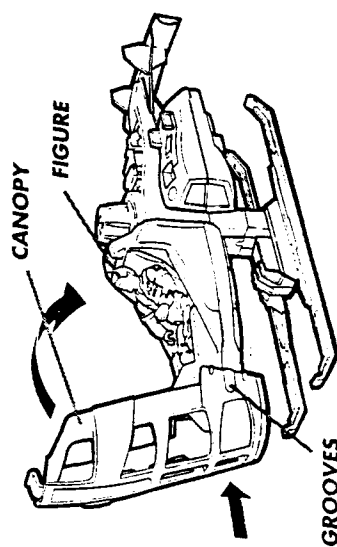
Hold handle and pull string tight (with other handle held by a friend or parent). Rest pulleys (2) on the string so the RAZOR-BLADE copter glides freely along the string. Now you're ready to slide the RAZOR-BLADE along the string to knock down enemies or rescue G.I. Joes with the rescue backpack! (Figures sold separately.)



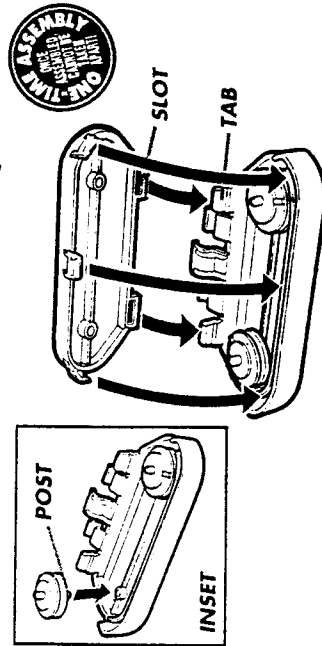
Product and colors () y. Approximate size of vehicle is 11" L x 4 3/4" W x 5 3/4" H.
©1993 Hasbro, Inc., Pawtucket, RI 02862 U.S.A. All Rights Reserved. MADE IN U.S.A. 6139 P/N 44253501



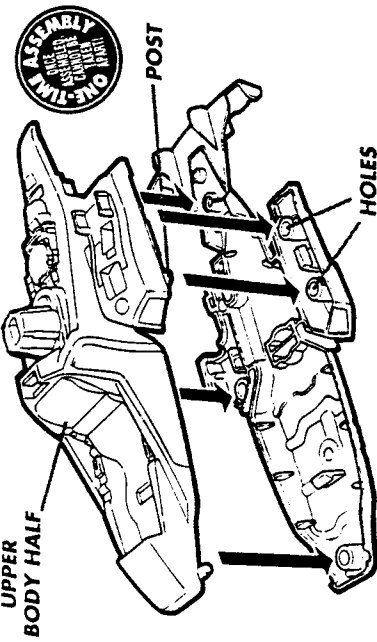
1. TAIL FIN ASSEMBLY
Place tail fin into back end of lower body half, with tail fin holes positioned over posts as shown.



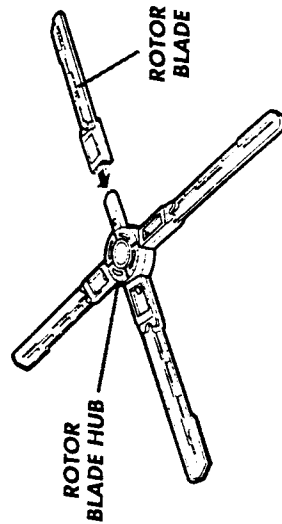
4. CANOPY ASSEMBLY
Fit indented grooves in canopy over canopy tabs until they slide into place. Insert figure (sold separately) into cockpit and close canopy. Open canopy to remove figure.



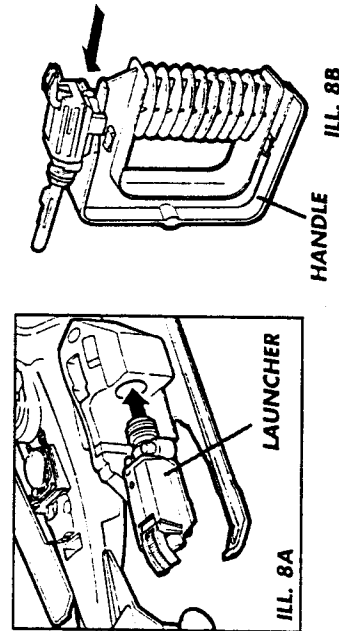
7. TROLLEY GUIDEWAY ASSEMBLY
Fit posts on pulleys into the lower trolley guideway half containing pulley holes (INSET). Fit slots on upper trolley guideway half through tabs on lower trolley guideway. **THEN PRESS AND HOLD HALVES TOGETHER.** Check to be sure pulleys are seated properly, then snap halves together.



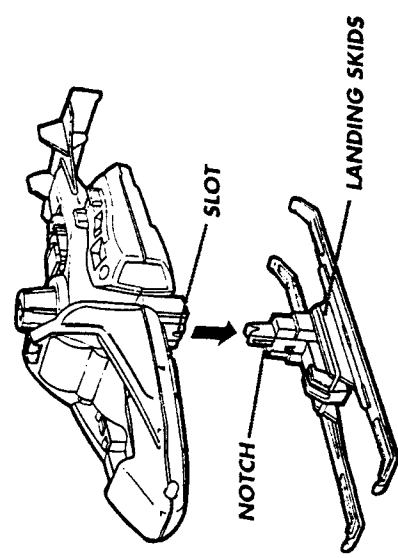
2. BODY ASSEMBLY
Align upper body half posts with lower body half holes. Starting at the back end, secure tail fin and body halves in place by snapping posts into holes.



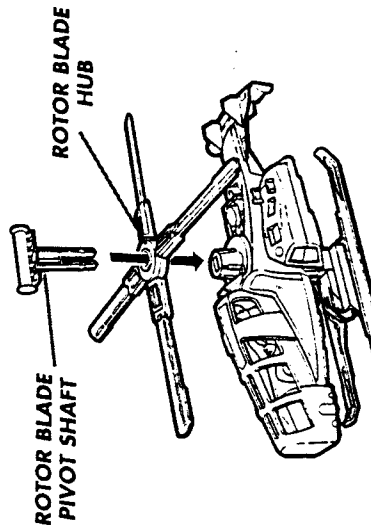
5. ROTOR BLADES ASSEMBLY
With rotor blade and rotor blade hub facing up (details face up) as shown, snap end of blade into end of hub. Repeat with the other 3 rotor blades.



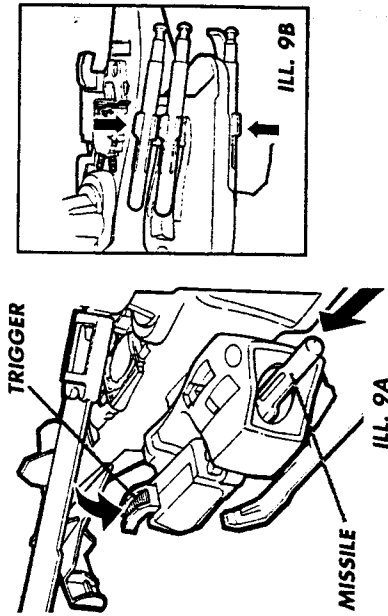
8. ROCKET LAUNCHER
Rocket launcher slides onto right side of copter as shown (ILL. 8A). Launcher also fits over handle (ILL. 8B).



3. LANDING SKIDS ASSEMBLY
Align landing skid notch with copter slot as shown. Snap landing skid assembly into bottom of copter.



6. ROTOR BLADES ASSEMBLY (CONT.)
Insert rotor blade pivot shaft through rotor blade hub. Snap end of pivot shaft into top of vehicle as shown.



9. ROCKET LAUNCHER (CONT.)
Insert rocket into barrel and lock in place. To fire, press trigger (ILL. 9A). Other rockets store of (shown (ILL. 9B)).
CAUTION: Do not point weapon (shown (ILL. 9A)) at anyone.