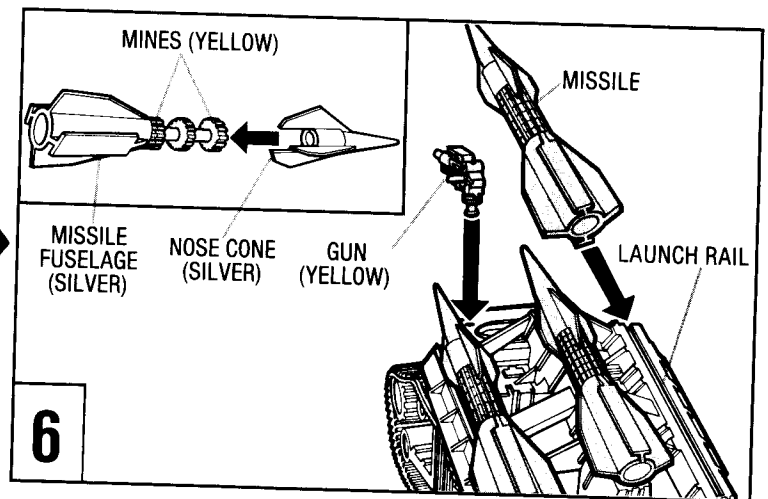
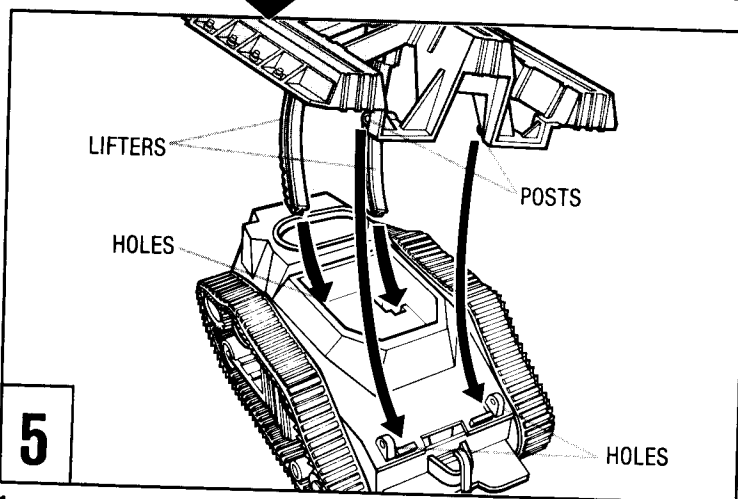
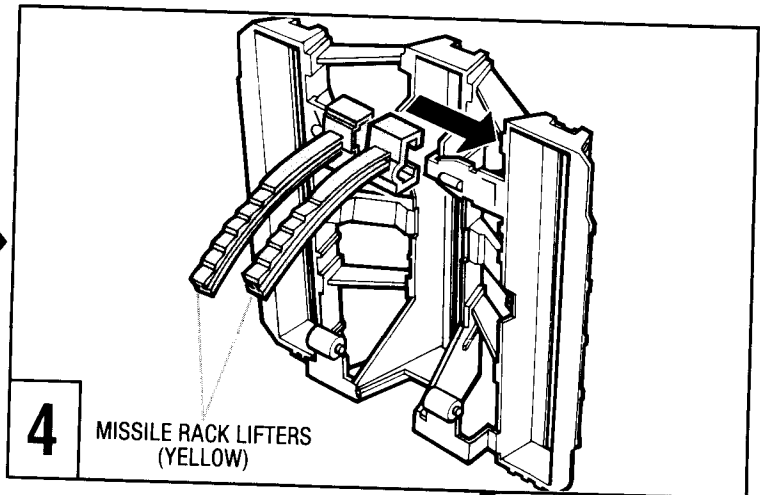
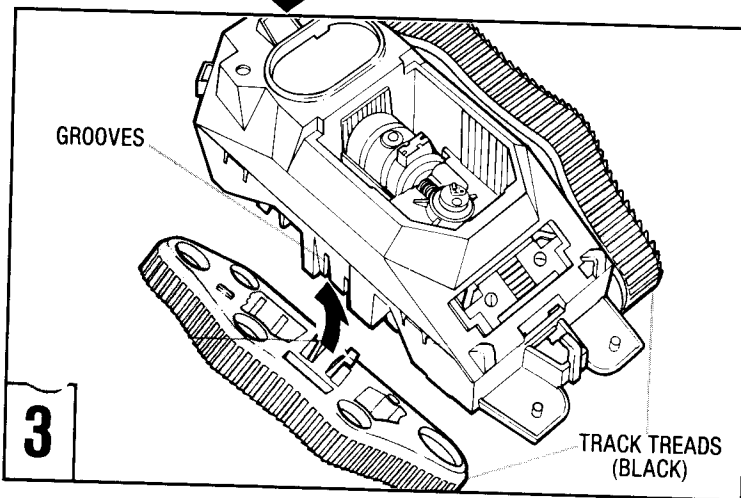
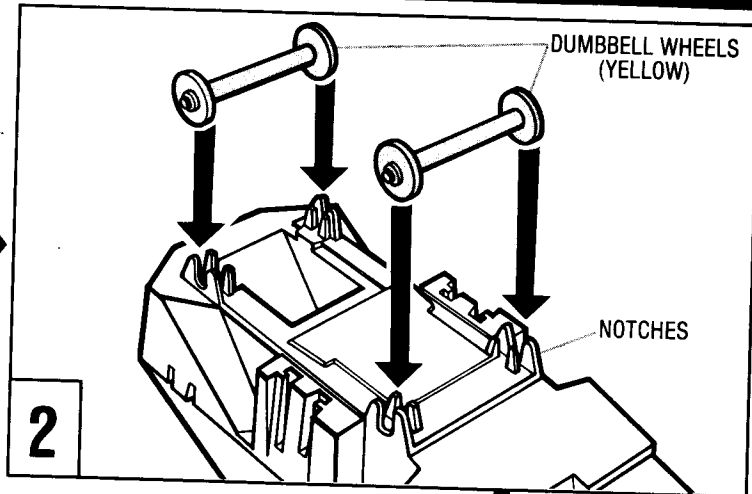
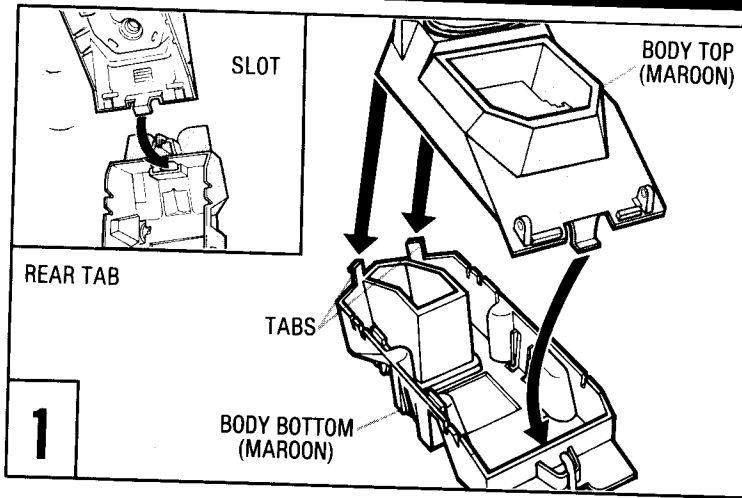


Remove all pieces from plastic frames. If you have difficulty, use safety scissors.



1. Hook rear tab located on body top into slot in body bottom. (INSET) Snap tabs on body bottom into holes in body top. (ILL. 1)
2. Turn body assembly upside down. Snap dumbbell wheels into notches. (ILL. 2)
3. Turn body right side up. Slide tab on right track tread (marked "R") through grooves on right body side, then snap. Repeat process for left track tread. (ILL. 3)
4. Slide right missile rack lifter (marked "R") over tabs underneath right side of missile rack. Repeat process for left lifter. (ILL. 4)
5. Fit lifters into holes in body, then slightly squeeze rear of missile rack to snap posts into holes in body rear. (ILL. 5)
6. Slide mines (8) over missile fuselage. Snap nose cone onto missile. Repeat for other two missiles. (INSET) Slide missiles onto launch rails of missile rack. Snap post on gun into hole in body. (ILL. 6)

GIROF

A COBRA COMMAND WEAPON!

COBRA IMP

1. INGRESS/EGRESS OPERATIONS SEATING AREA
2. SUPER-REINFORCED PERSONNEL PROTECTION HOUSING
3. "SHORT THROW" .50 CAL. SPRING-MOUNTED MACHINE GUN
4. "HEAT DETECTIVE" H10-57 INFRARED SEEKING GUIDANCE SYSTEM
5. MICROPROCESSOR-BASED DC SERVO OPERATED LIFT CONTROL SURFACES
6. INFRARED IMAGING PROGRAMMABLE "IMP" MISSILE
7. "STOP JAM" ELECTRONIC COUNTER COUNTERMEASURE DATA SYSTEM
8. MK53 "BIG BLAST" SOLID PROPELLANT ROCKET ENGINE
9. "SUPER SMOOTH" SEALED BEARING TRACK BOGEY
10. "DRAGON III" SUPER DUTY 400 BHP TURBO DIESEL ENGINE
11. TRACK PROPULSION MOTOR ACCESS PANEL
12. CROSS LINK HARDENED STEEL TRACKS

