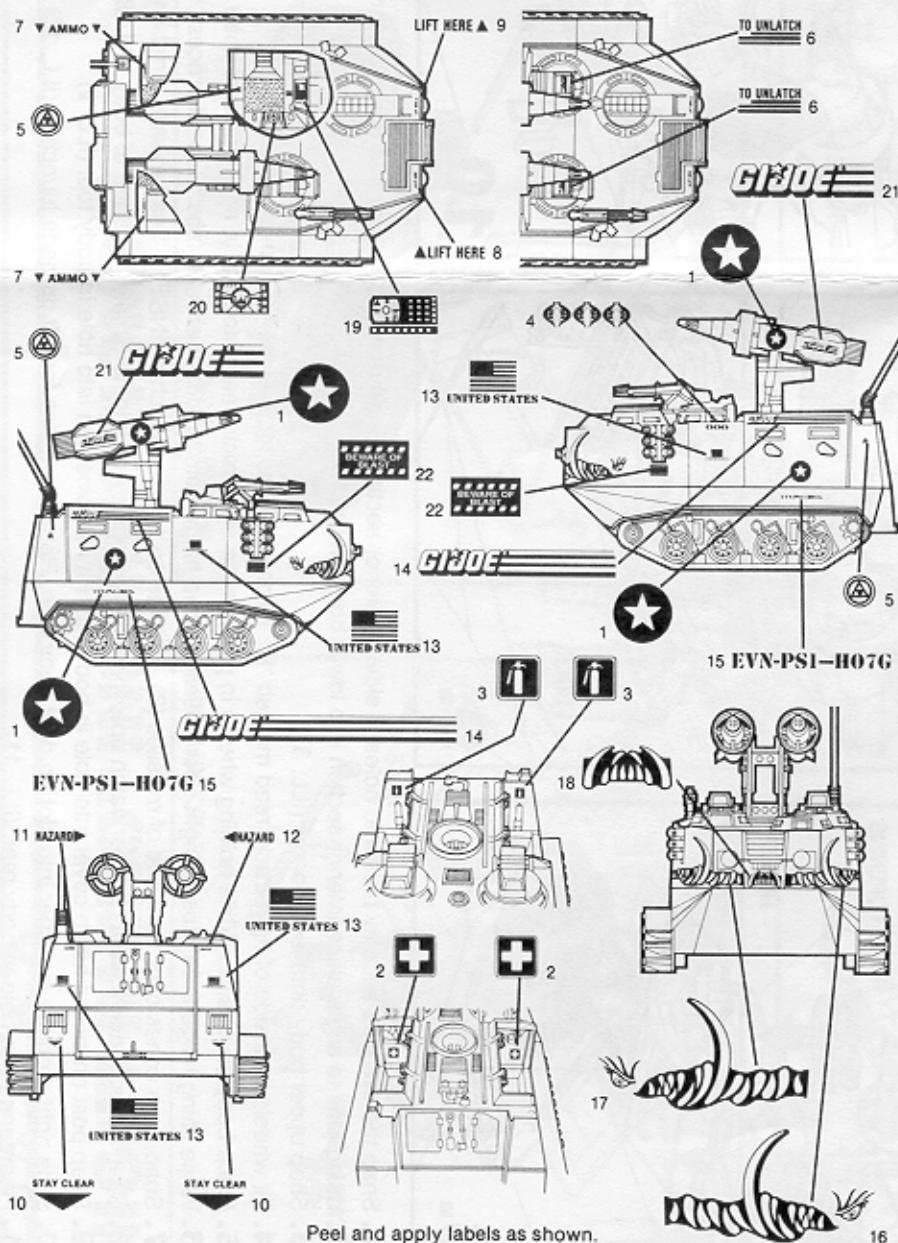


G.I. JOE

NIGHT RHINO™

1. MK-29 POWER OPERATED 20MM CANNON
2. 12 "DIVERSION" MULTIPLE LAUNCH SMOKE GRENADES
3. "NIGHT SIGHT" INFRARED DRIVING LIGHTS
4. WELDED ALUMINUM/SPECIALLY HARDENED ARMOR HULL
5. "BOLT ON" STEEL LAMINATED FRONT/SIDE PLATES WITH FOAM ENERGY INSERTS
6. SPECIAL HARDENED DUAL LINK TRACKS
7. DUST-PREVENT INTERIOR VENTILATION FILTER
8. DME (DISTANCE MEASURING EQUIPMENT) DATA LINK/FLIGHT STABILIZING RING
9. MGM-59 LANCE SURFACE-TO-SURFACE DUAL-THRUST LIQUID PROPELLANT MISSILE
10. MISSILE MOUNT/DIGITAL BALLISTICS COMPUTER AND RANGEFINDER
11. SECURITY VIEW/FIRE BATTLE PORTS
12. FOLD-AWAY REAR ENTRY/EXIT PERSONNEL DOORS
13. BOZ-29 800HP TWIN TURBO DIESEL/MAX SPEED-55mph
14. AMBIBIOUS WATER JET PROPULSION SYSTEM



Peel and apply labels as shown.

AGES 5+

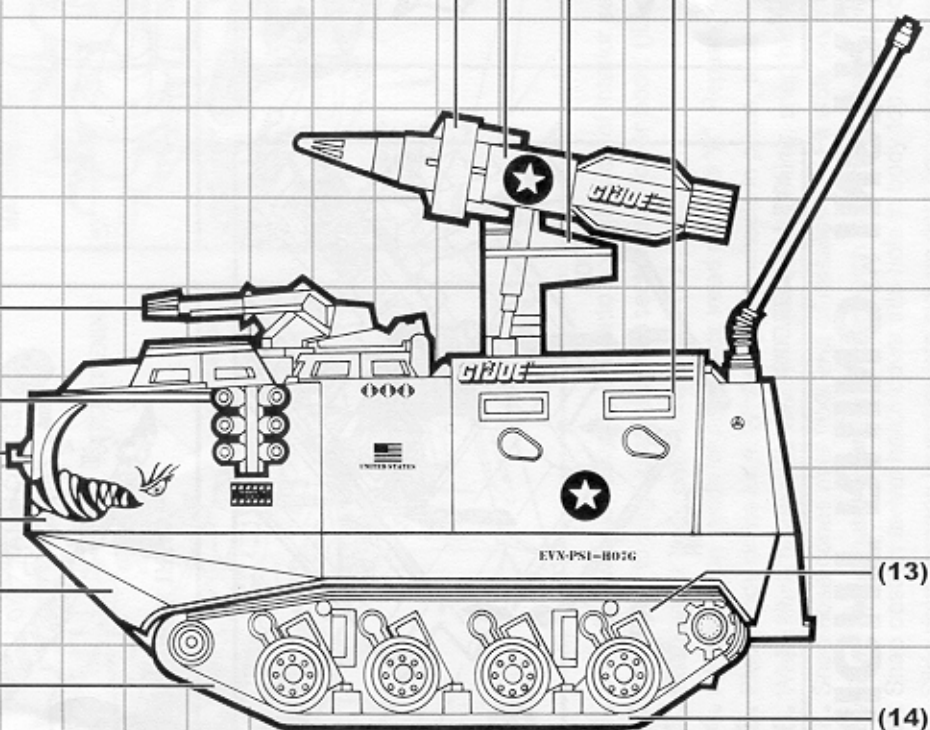
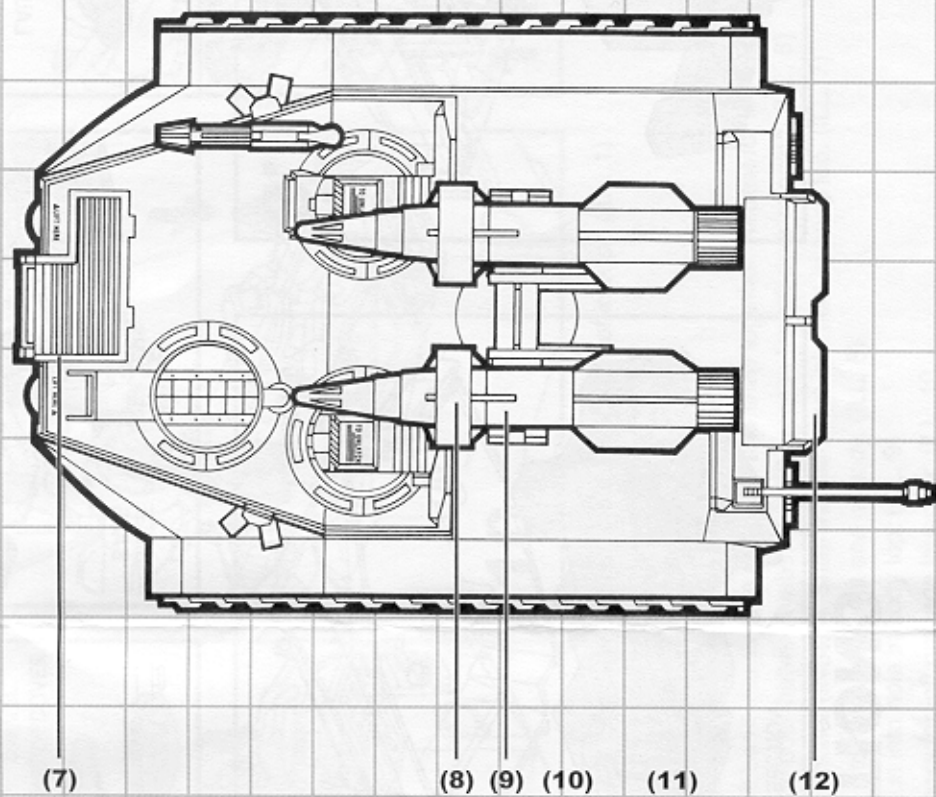
53094



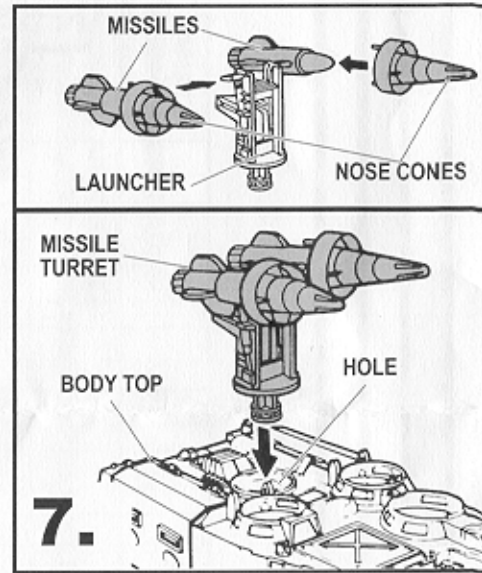
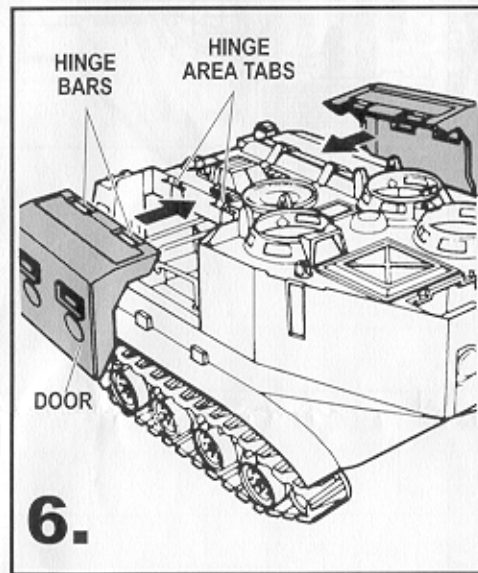
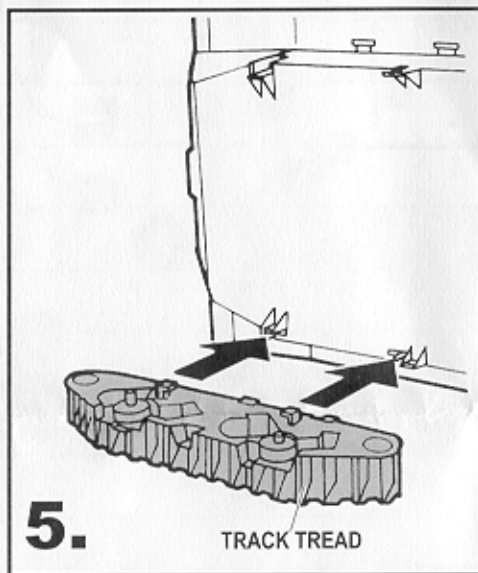
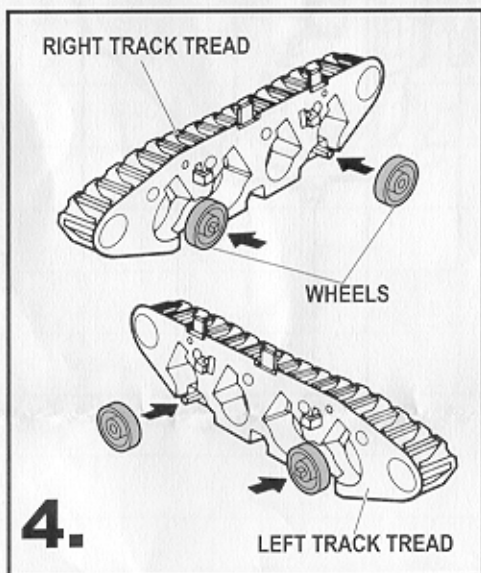
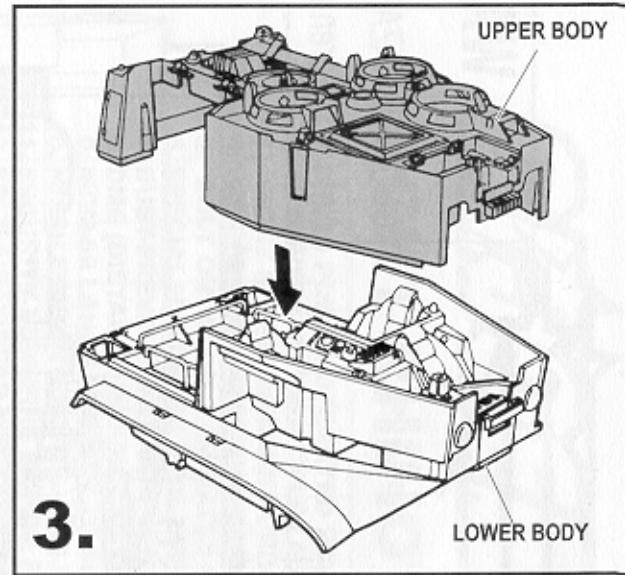
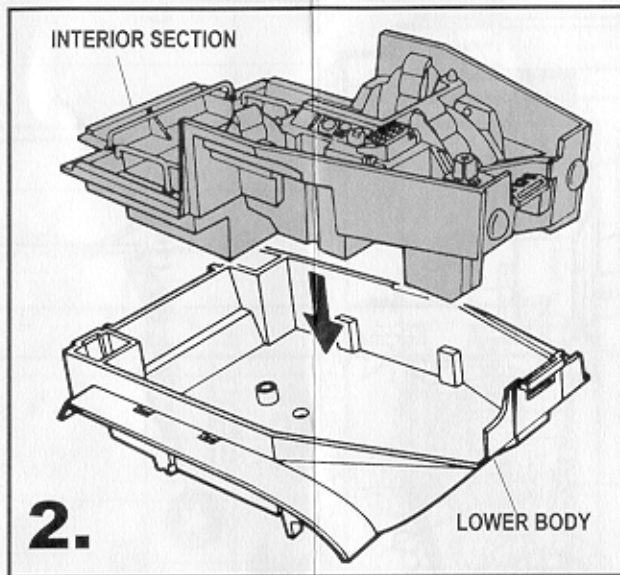
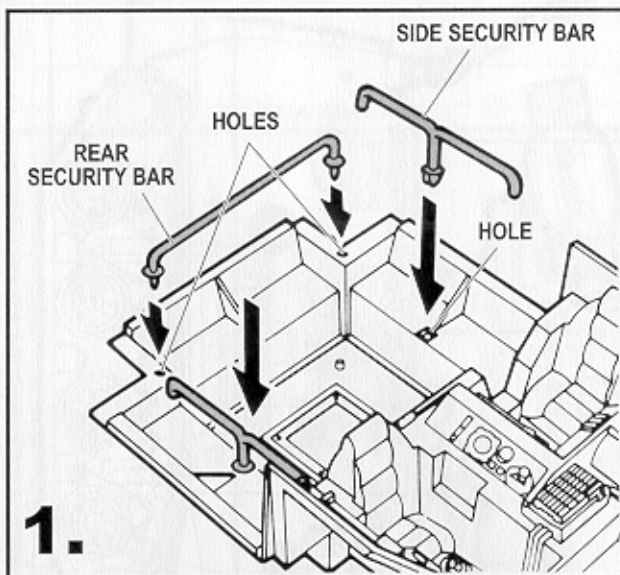
WARNING:

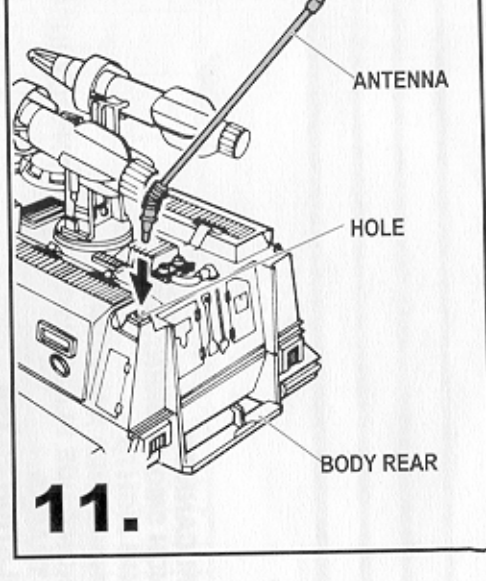
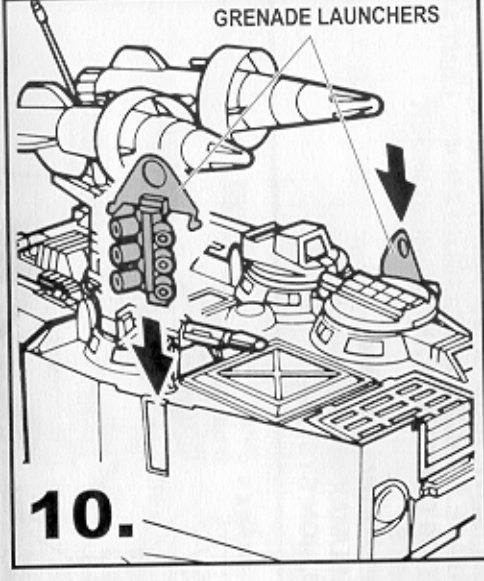
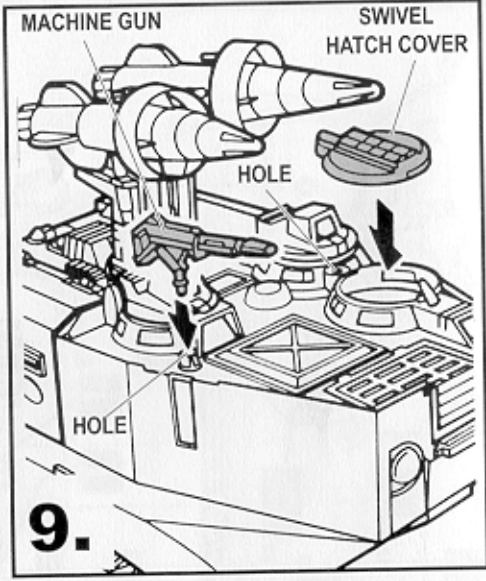
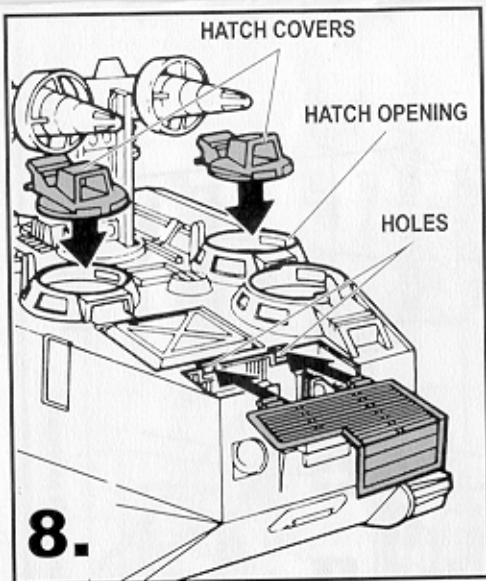
CHOKING HAZARD - Small parts.

Not for children under 3 years.



NIGHT RHINO™ INSTRUCTIONS





1. Snap the two side security bars into holes in side of interior section. Snap rear security bar into holes in rear of interior. (ILL. 1)
2. Using pins to align, place interior section into lower body. (ILL. 2)
3. Snap upper body onto lower body. (ILL. 3)
4. Fit wheels on inside of right track tread marked "R". Repeat process for left track tread marked "L". (ILL. 4)
5. Place body on its side. While holding wheels in place, slide right track tread into slots in right side and snap together. Repeat for left track tread. (ILL. 5)
6. While lifting hinge area tabs on right door opening, snap hinge bars on door between tabs. Repeat process for left door opening. (ILL. 6)
7. Snap nose cones over front end of missiles (2). Fit slots on missile launcher (INSET). Snap missile turret into hole in body top. (ILL. 7)
8. Snap flip up hatch covers (2) over hatch openings. Snap engine grill into holes into front end of body. (ILL. 8)
9. Snap post on swivel hatch cover into hole in body top. Fit machine gun into hole in body top. (ILL. 9)
10. Slide right grenade launcher into slot on right body side. Repeat process for left grenade launcher. (ILL. 10)
11. Fit antenna into hole in body rear. (ILL. 11)