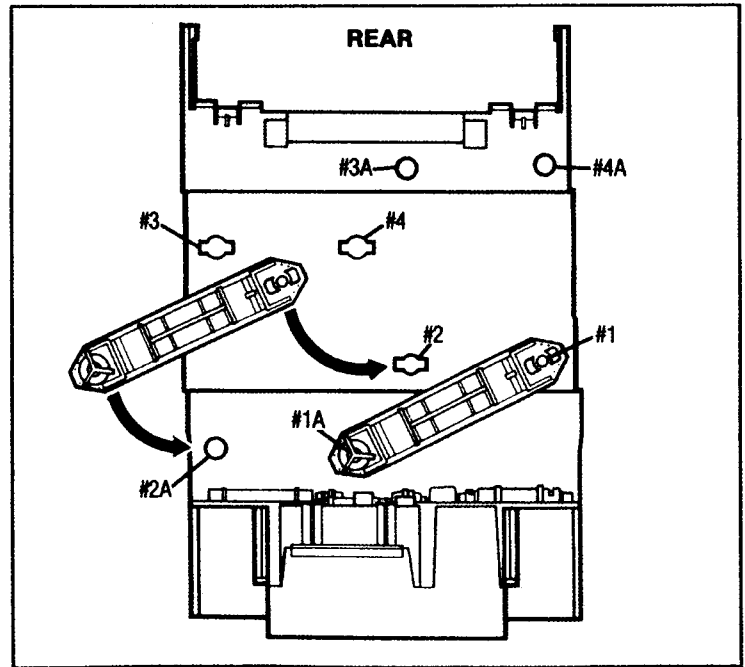
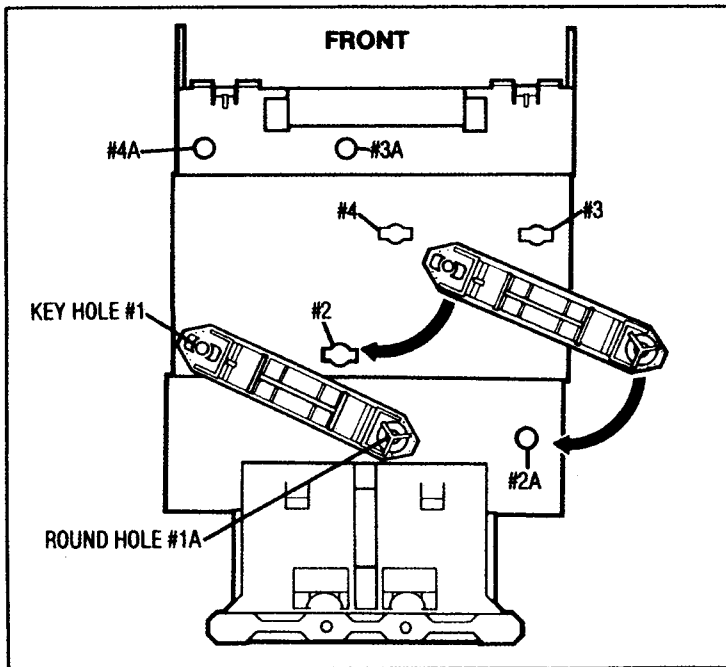
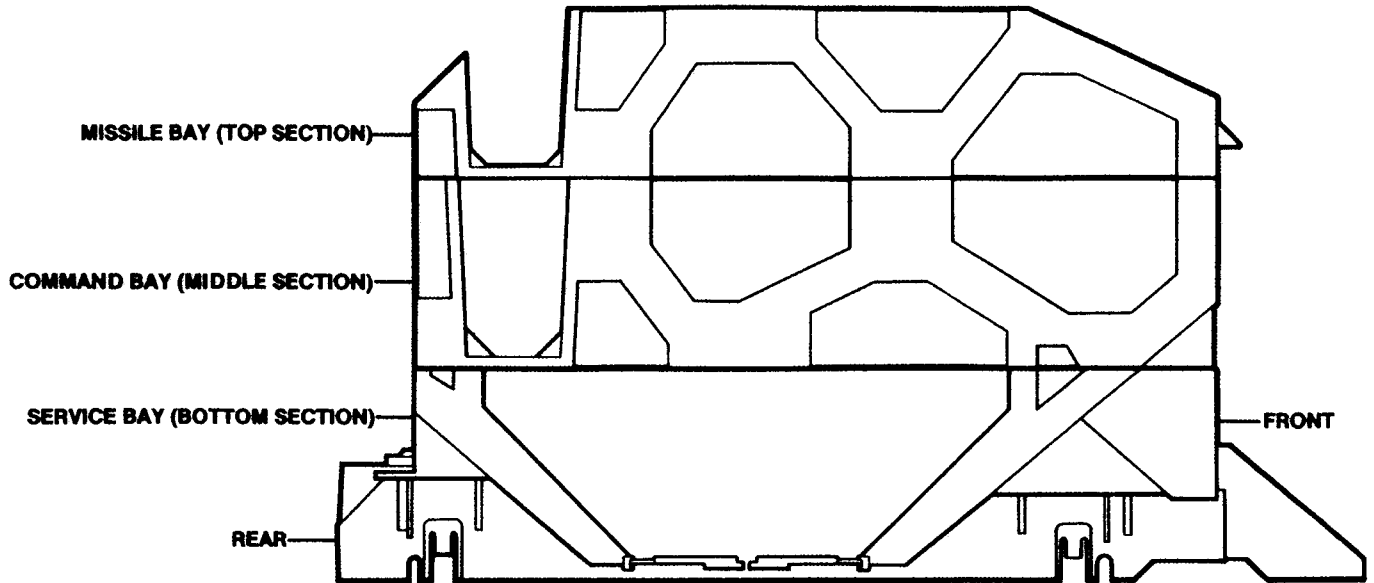


INSTRUCTION SHEET "A"

TO ASSEMBLE 3 BAY FLOORS: Stack Bay floors as shown.



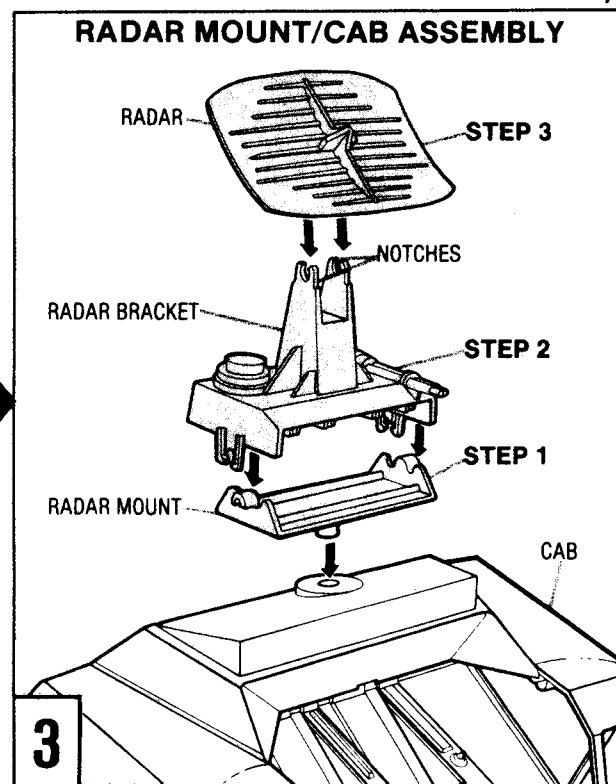
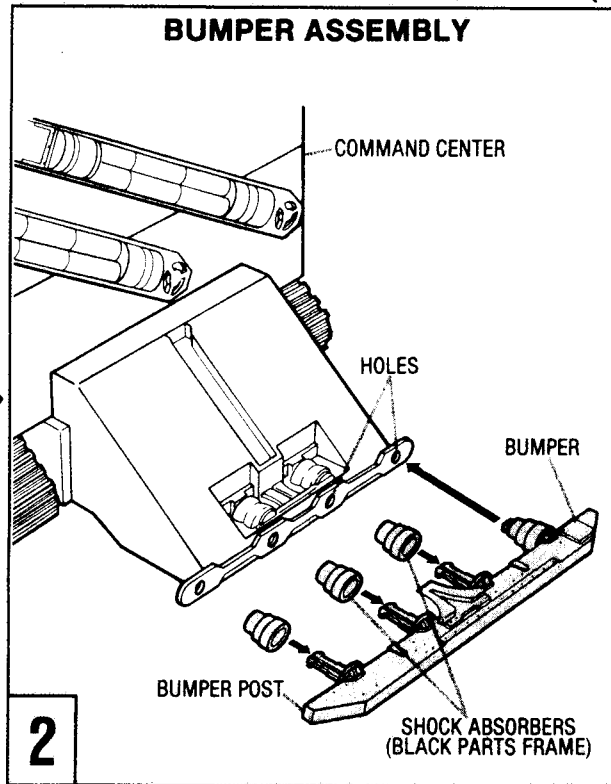
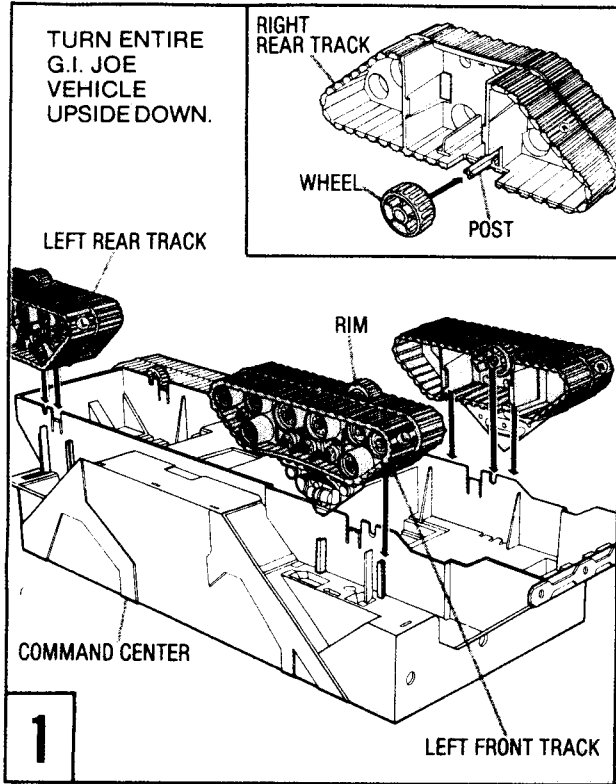
IMPORTANT: Assemble FRONT HINGES FIRST. FOLLOW STEP BY STEP WHEN ATTACHING BAY FLOOR HINGES.

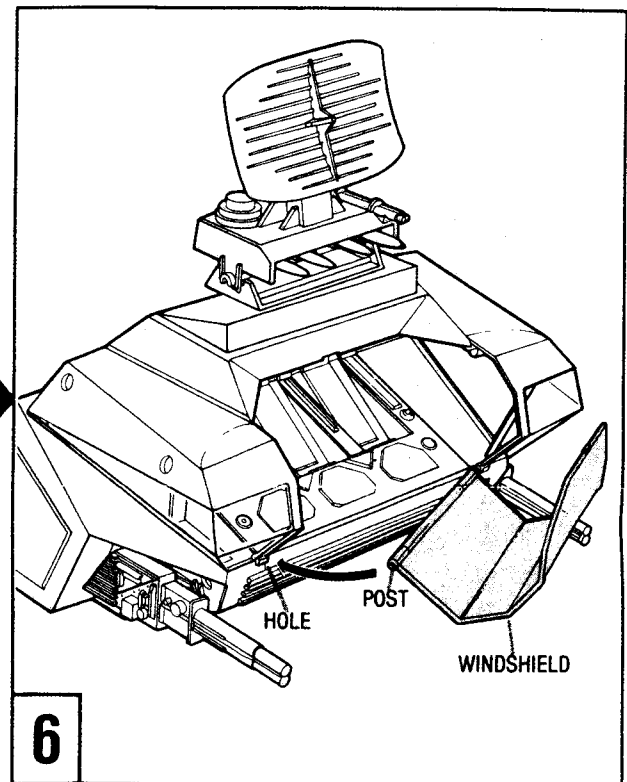
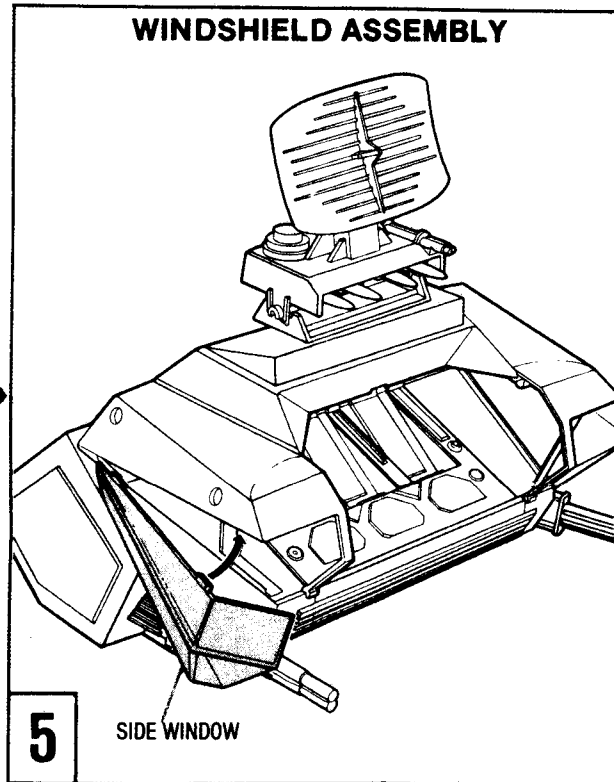
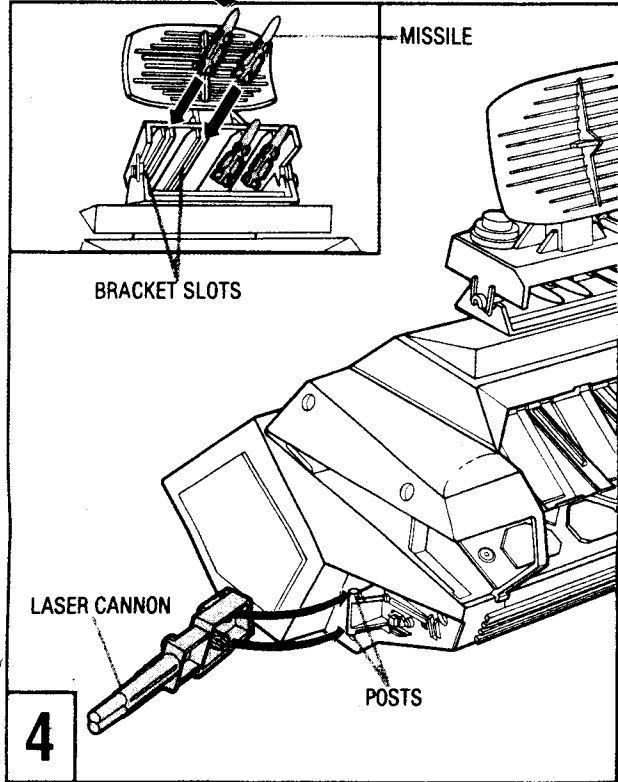
1. Insert SQUARE TAB on one hinge into KEY HOLE #1. Snap ROUND TAB into ROUND HOLE #1A. Repeat with KEY HOLES #2, #3, and #4.

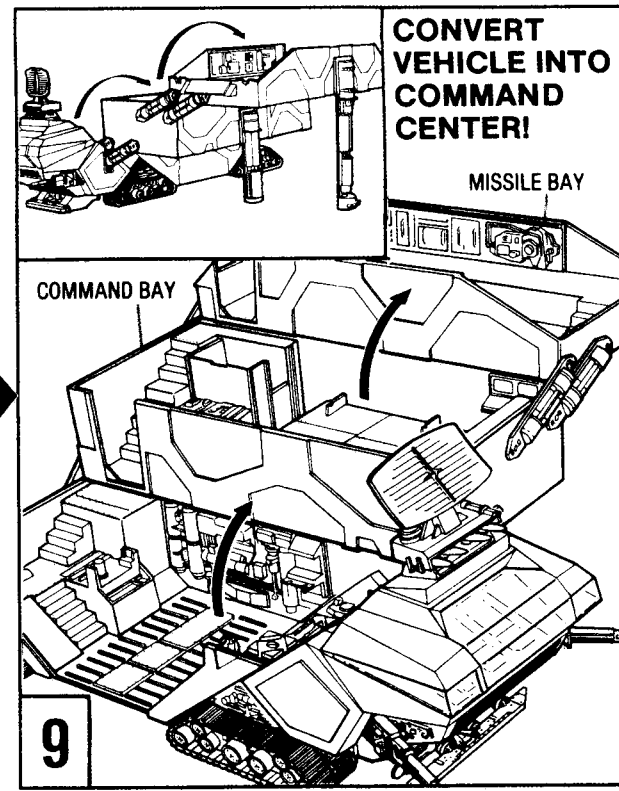
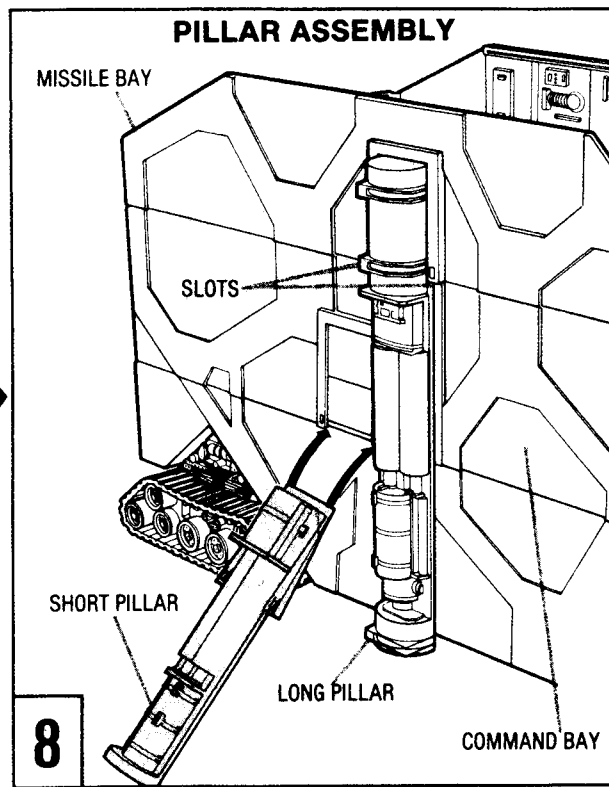
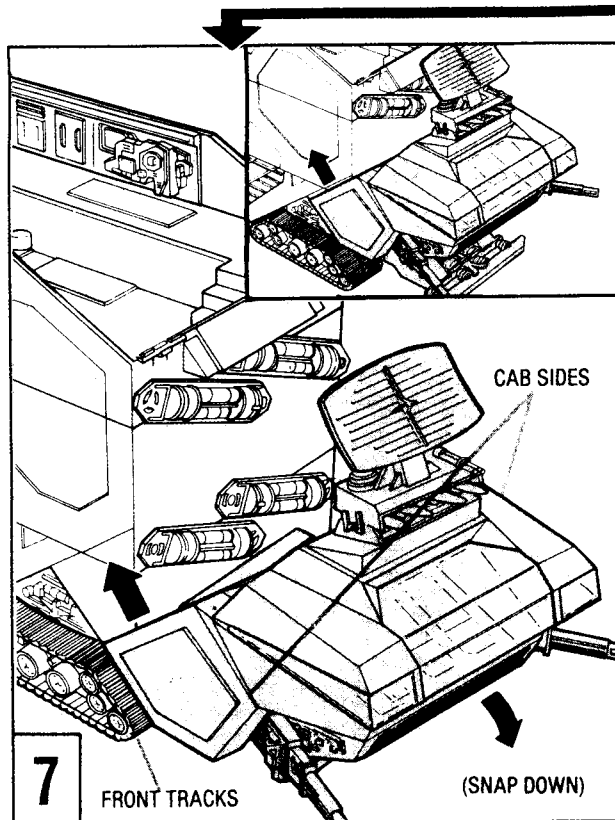
2. REPEAT STEPS 1 and 2 with REAR bay floor hinges.

When removing parts from runner frame, ask an adult to help you trim off any excess plastic using scissors or other suitable tool.

IMPORTANT: Before you begin, read instructions carefully. **INSTRUCTION SHEET "B"** (SEE INSTRUCTION SHEET "A" BEFORE ASSEMBLING)

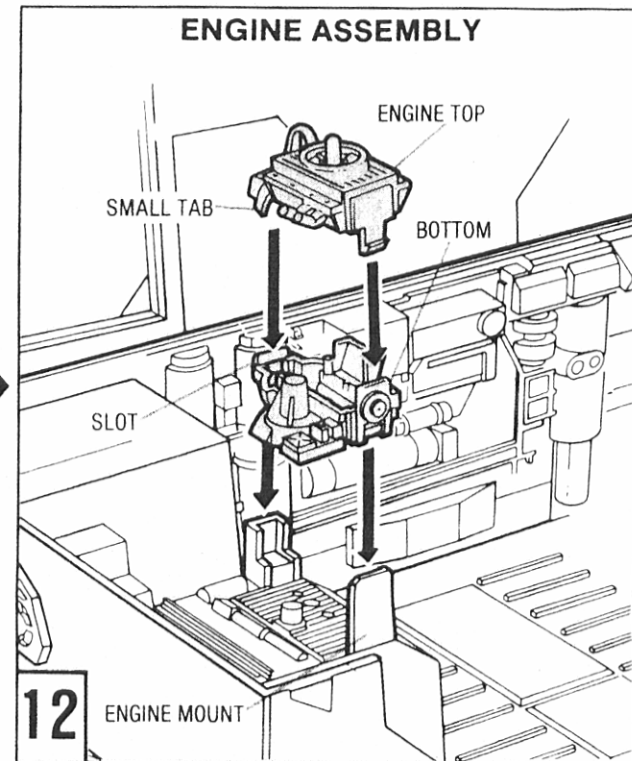
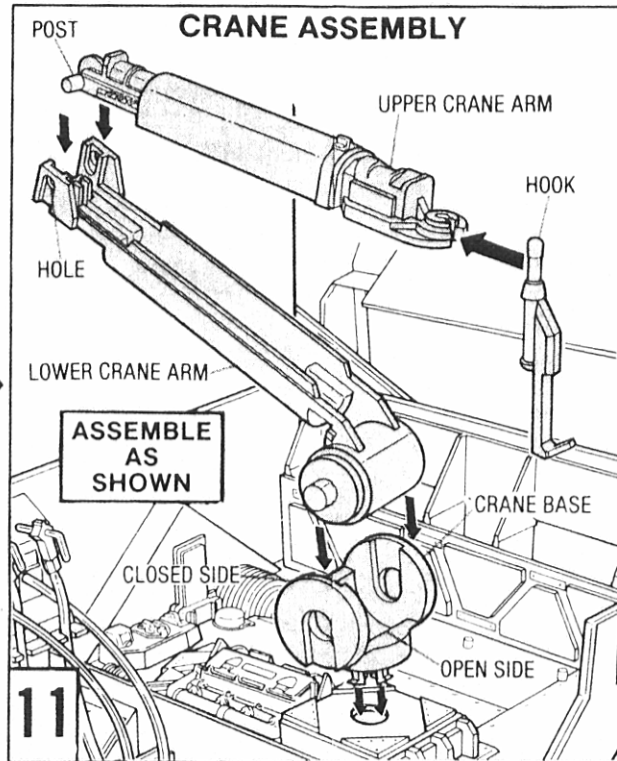
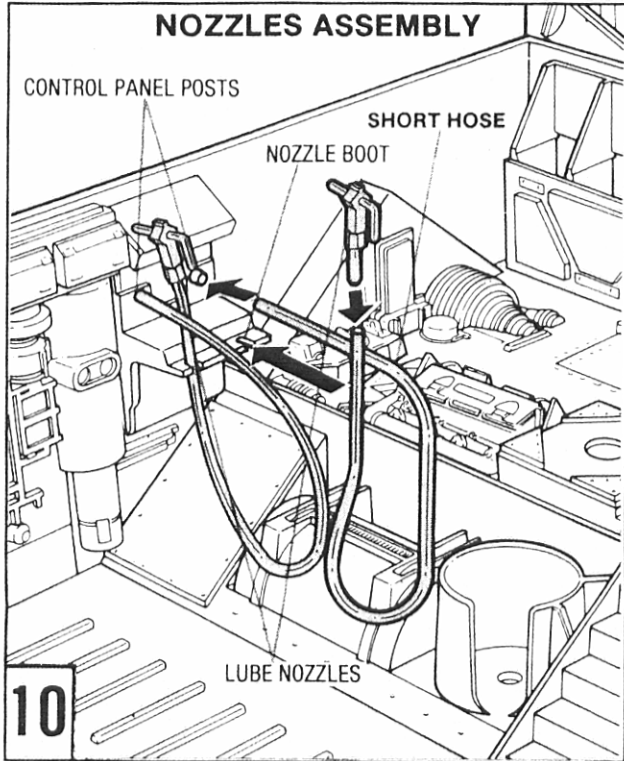


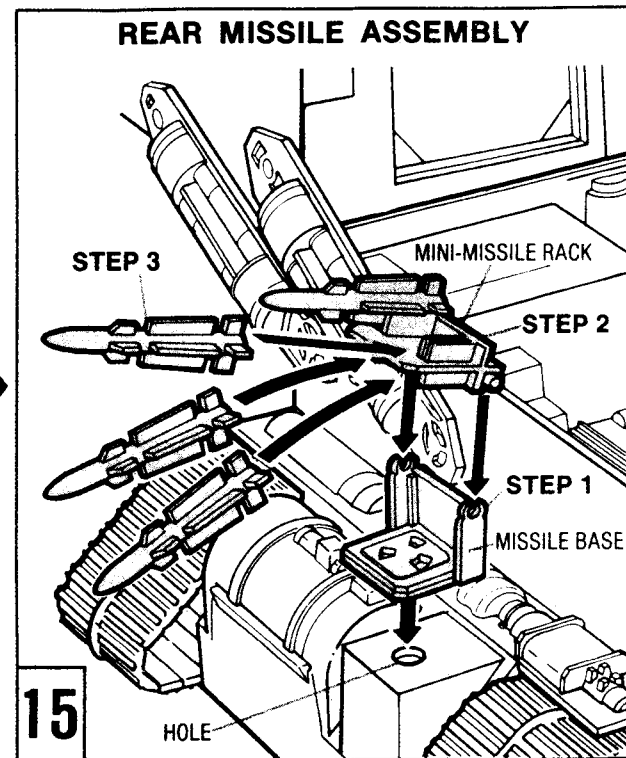
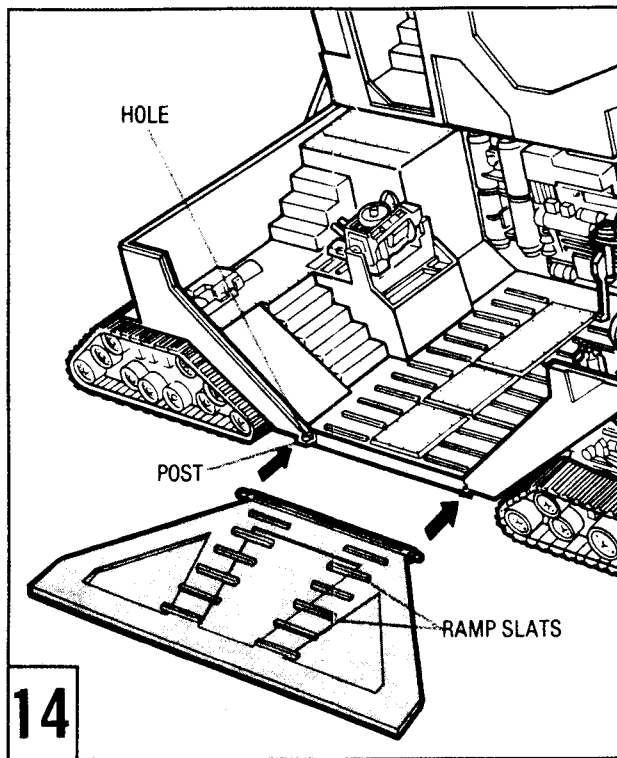
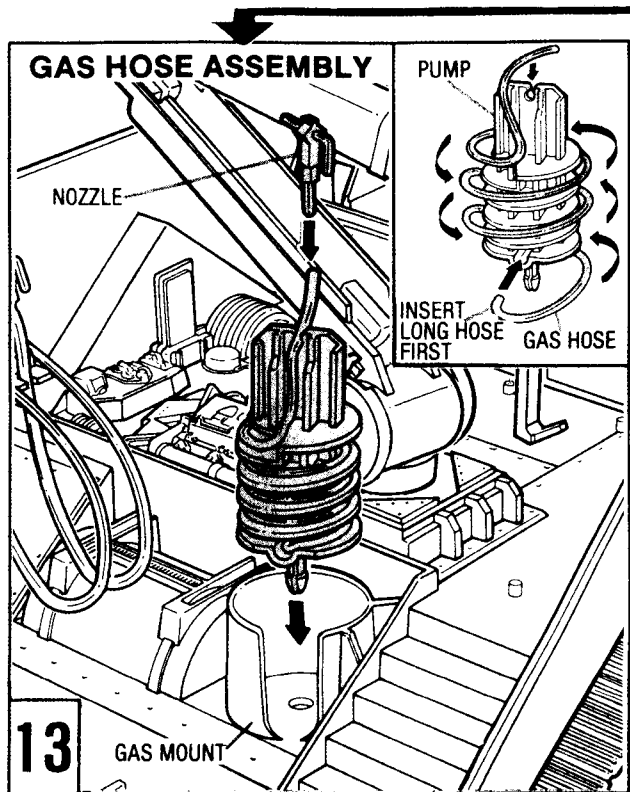




- 1 Turn COMMAND CENTER upside down. With rims facing inward, fit WHEELS over posts on 4 TRACKS. SEE INSET. Slide LEFT & RIGHT FRONT tracks (marked "L" and "R") over guide posts underneath front of Command Center. Repeat with LEFT & RIGHT REAR tracks (marked "L" and "R").
- 2 Place Command Center right side up. Fit 4 SHOCK ABSORBERS onto BUMPER POSTS. Snap bumper posts into holes in front end of vehicle.
- 3 Snap post on radar assembly into CAB. Snap radar bracket onto RADAR MOUNT. Snap RADAR into notches in RADAR BRACKET.
- 4 Fit 4 MISSILES into radar bracket slots. SEE INSET. Snap LEFT and RIGHT LASER CANNONS over posts on sides of Cab.
- 5 Snap LEFT and RIGHT SIDE WINDOWS into sides of Cab.
- 6 Fit one post on WINDSHIELD into hole in Cab and snap other post into place. Pivot windshield upwards to close.
- 7 Slide Cab sides between front tracks and snap down to secure. *Cab slides up for transport mode and down to open vehicle into Command Center.*
- 8 Slide LONG PILLAR up through slots on left side of Missile Bay and SNAP INTO PLACE. Slide SHORT PILLAR into slots in Command Bay and SNAP INTO PLACE.
- 9 Lift MISSILE BAY and COMMAND BAY upward and rest Bays on pillars.

SERVICE BAY (BOTTOM SECTION)





10 Insert LUBE NOZZLES into 2 SHORT HOSES. Fit other ends of hoses onto control panel posts in Service Bay. (Fit nozzles in boots as shown.)

11 Snap CRANE BASE into hole in SERVICE BAY. Snap HOOK into hole in UPPER CRANE ARM. Fit one post on upper crane arm into one hole in LOWER CRANE ARM. Snap other post into place. Snap LOWER CRANE ARM into crane base AS SHOWN.

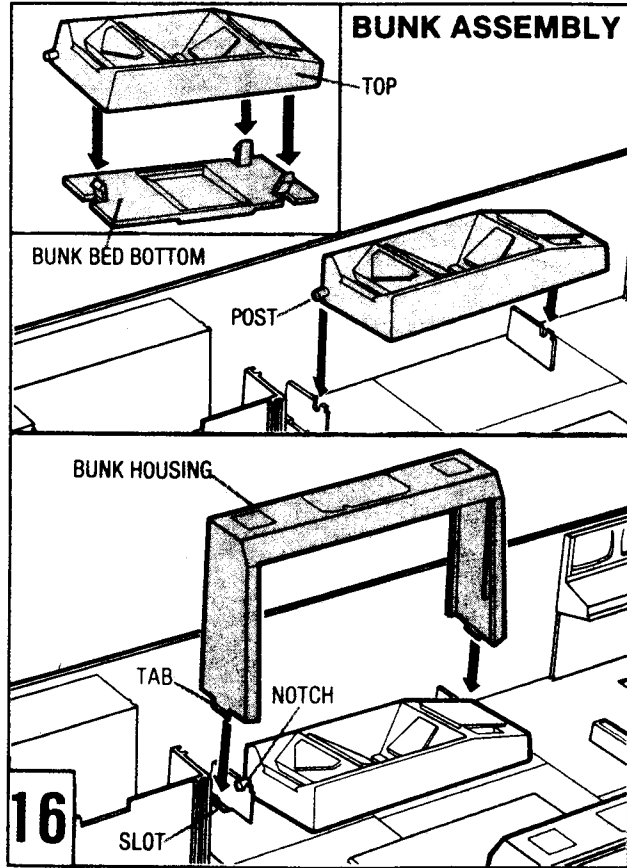
12 Fit small tab on engine top into slot in engine bottom and snap large tab into place. Fit engine into engine mount in Service Bay.

13 Fit LONG GAS HOSE into hole in GAS PUMP. SEE INSET. Wrap hose around grooves. Snap pump into gas mount. Insert NOZZLE into end of hose. (Make sure hose can be unwound through mount opening.)

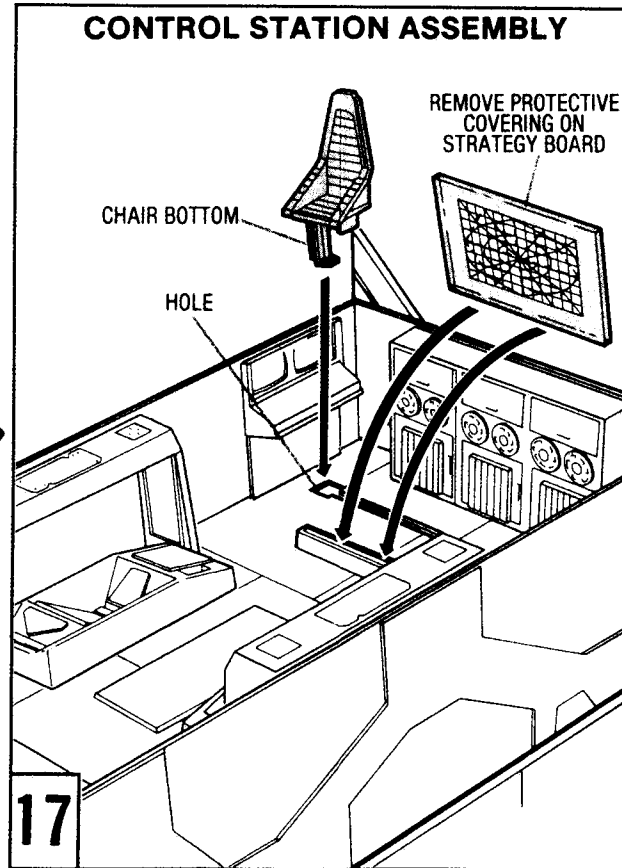
14 With ramp slats facing upward, fit one post into hole in Service Bay floor. Snap other post into place.

15 Snap MINI-MISSILE RACK onto MISSILE BASE. Snap missile base into hole in rear of Service Bay. Fit 4 missiles into slots in rack.

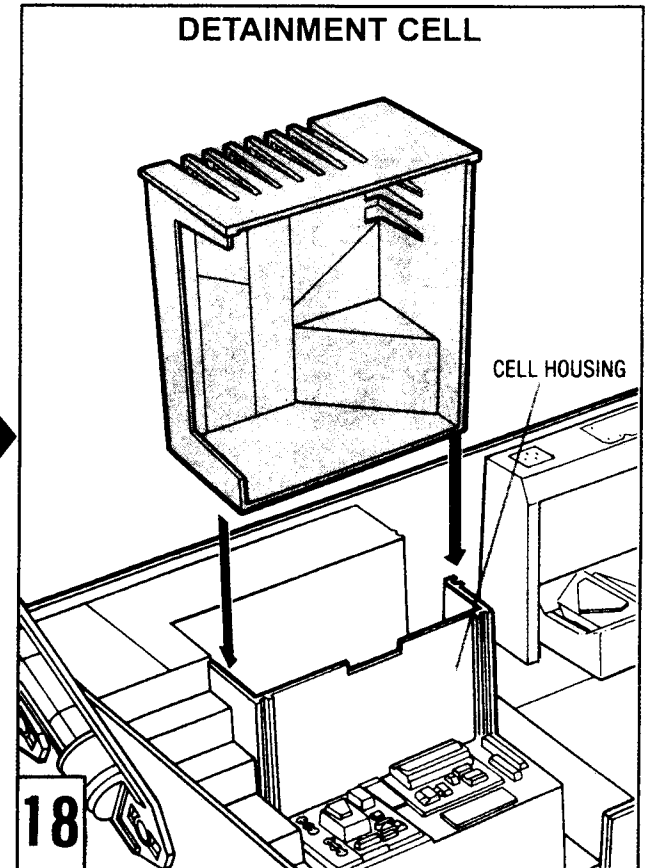
COMMAND BAY (MIDDLE SECTION)



16 Snap BUNK BED BOTTOM to BUNK BED TOP. SEE INSET. Place posts on bunk bed into notches in Command Bay. Snap tabs on BUNK HOUSING into slots in floor. Repeat with 2ND BUNK BED and BUNK HOUSING. Flip bunk beds upward to expose computers.

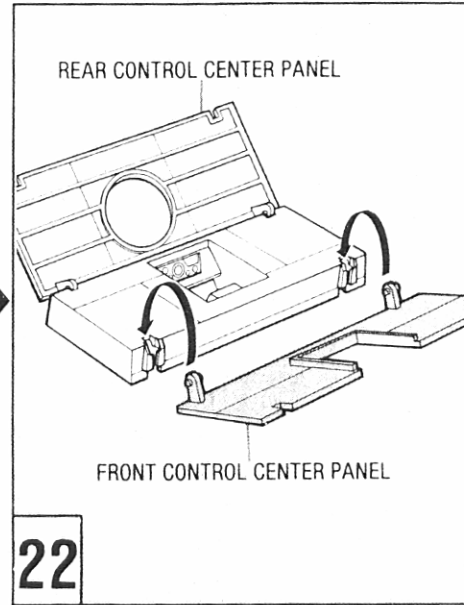
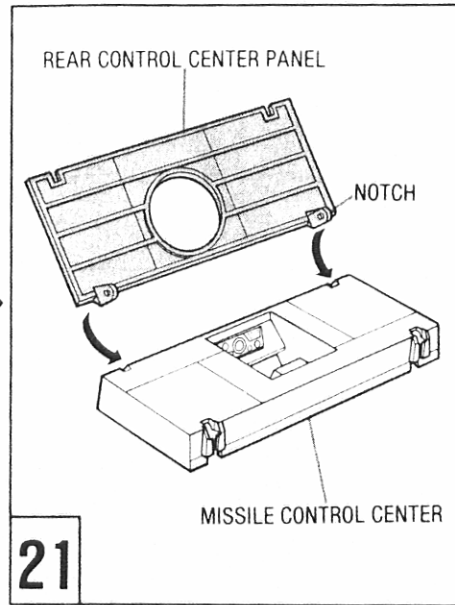
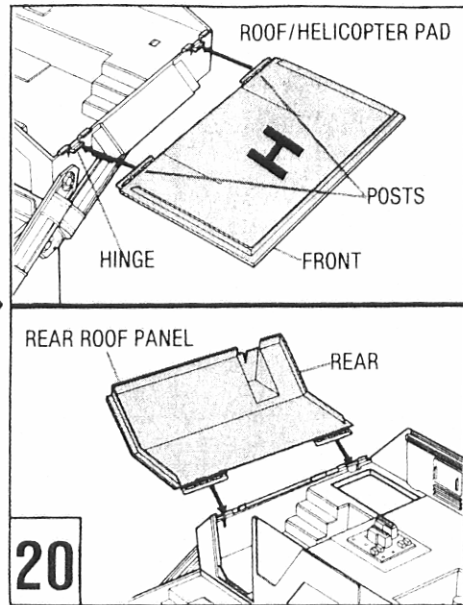
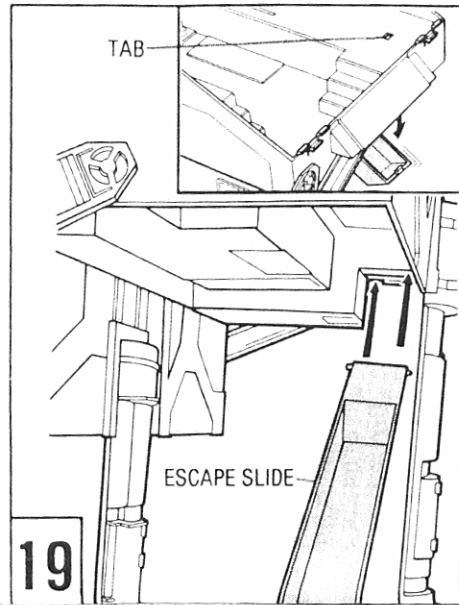


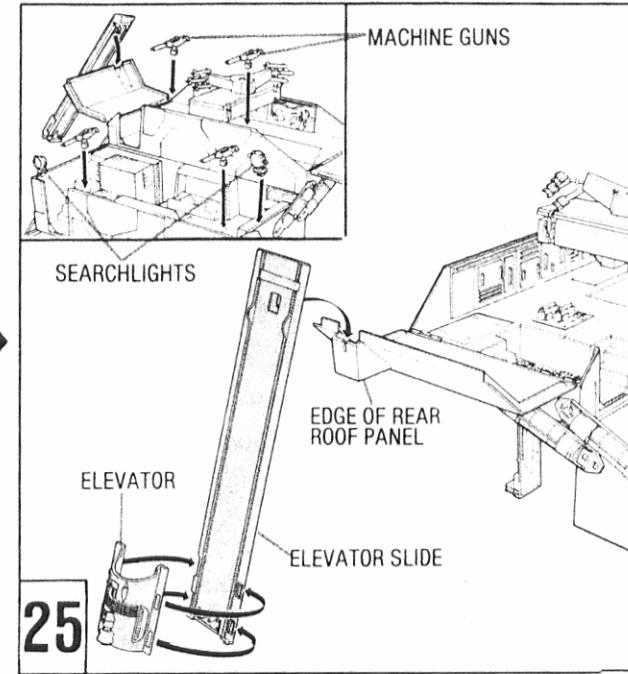
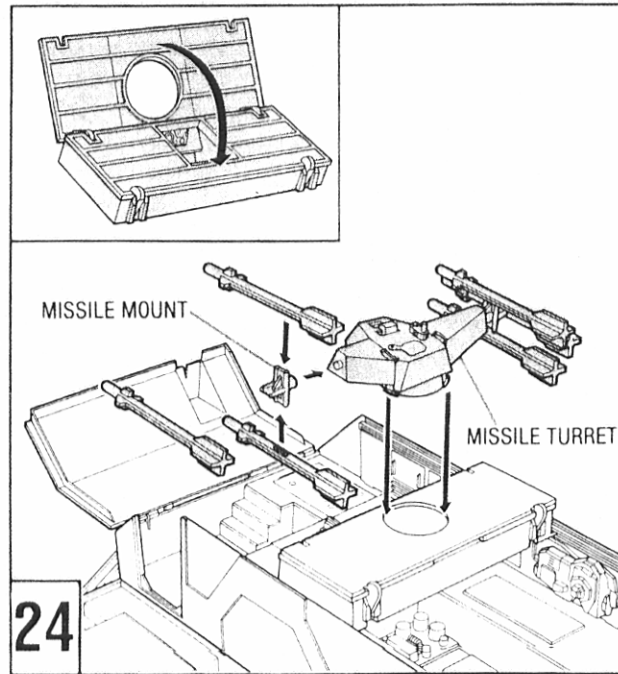
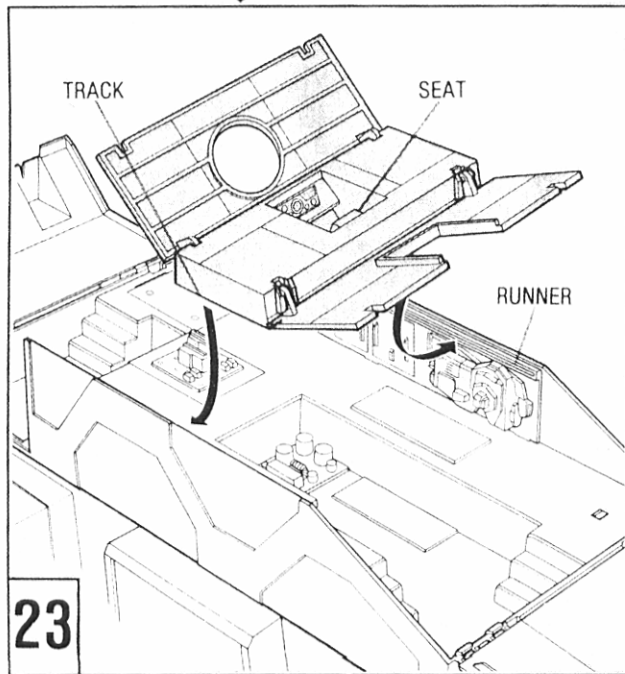
17 Fit tab on CHAIR BOTTOM through hole in floor and slide to secure. Remove protective covering from STRATEGY BOARD. Fit board into slot in floor.



18 With door opening facing front, slide DETAINMENT CELL into cell housing.

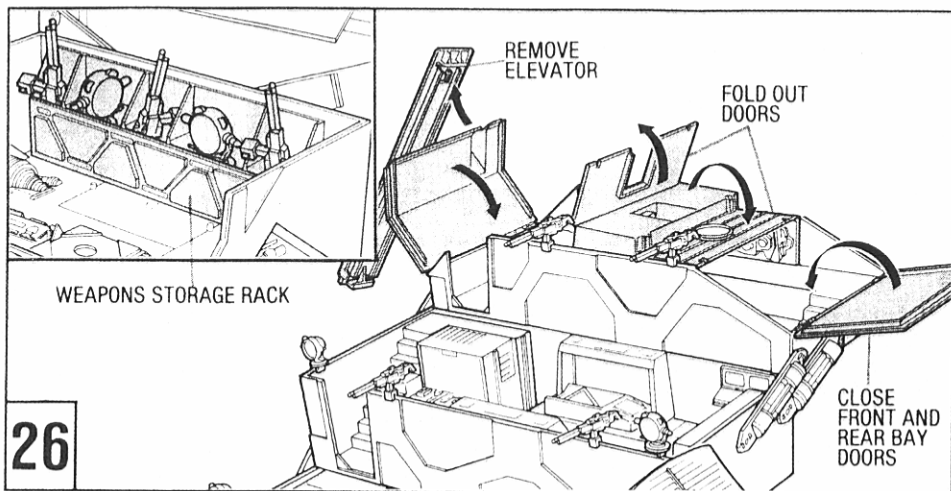
MISSILE BAY (TOP SECTION)



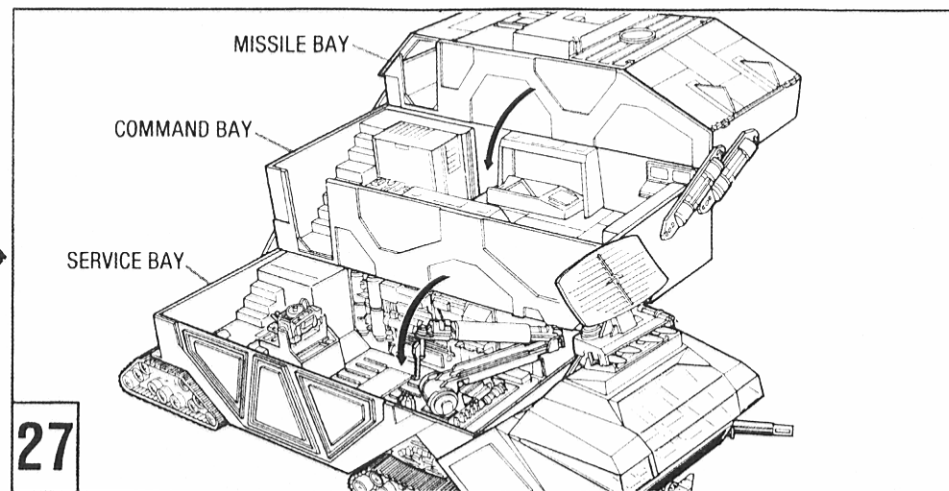


- 19** Underneath Missile Bay, insert top of ESCAPE SLIDE into tab. Lift bottom of slide and snap tab into slot. (Push tab to activate slide. SEE INSET).
- 20** Snap posts on HELICOPTER PAD into hinges on FRONT END of Missile Bay. Snap posts on REAR ROOF PANEL into hinges on REAR END of Missile Bay.
- 21** Snap posts on REAR PANEL into notches on REAR of Missile Control Center.
- 22** Snap posts on FRONT PANEL into notches on FRONT of MISSILE CONTROL CENTER. (SEAT FACES REAR)
- 23** With seat facing REAR of vehicle, fit one track on side of Missile Control Center into runner on side of Missile Bay. Fit other track into opposite runner.
- 24** Fold rear panel over Missile Control Center. Fold front panel over rear panel. SEE INSET. Fit MISSILE MOUNTS on each end of MISSILE TURRET. Fit 6 MISSILES onto missile mounts. Snap missile turret into Missile Control Center.
- 25** Slide ELEVATOR onto ELEVATOR SLIDE. Fit top of slide over edge of rear roof panel. Fit 4 SEARCHLIGHTS and 6 MACHINE GUNS over walls of Bays. (SEE INSET.)

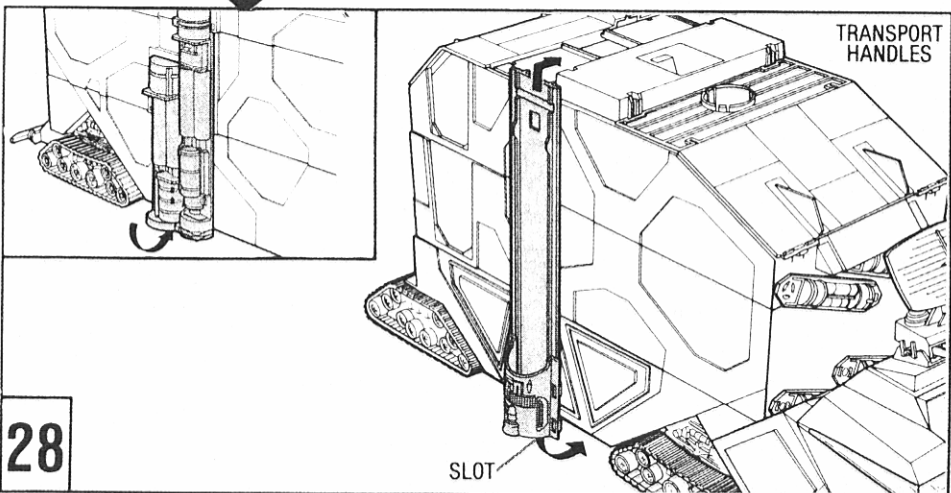
CONVERT COMMAND CENTER INTO A MOBILE COMMAND VEHICLE!



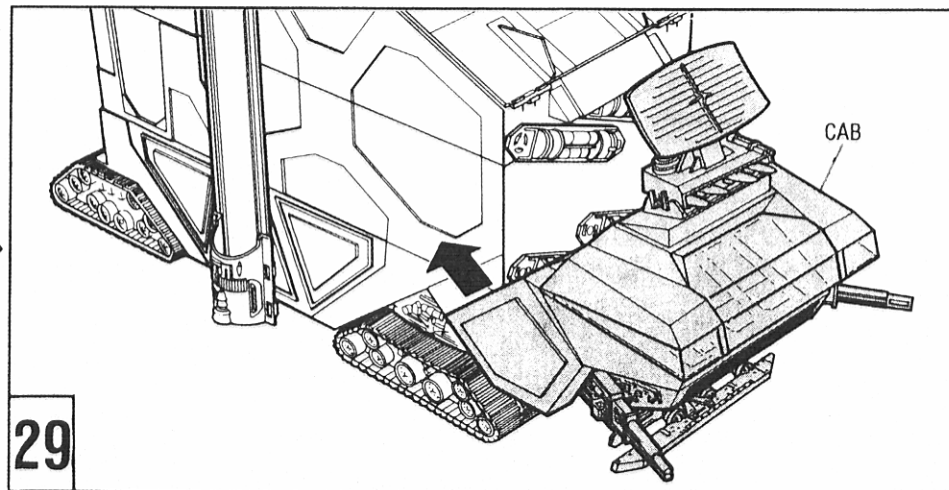
26



27



28



29

26 Remove guns and searchlights and store in weapons storage rack in Service Bay. Remove elevator from vehicle. Close front and rear missile doors. Fold out missile control center doors to form Missile Bay roof.

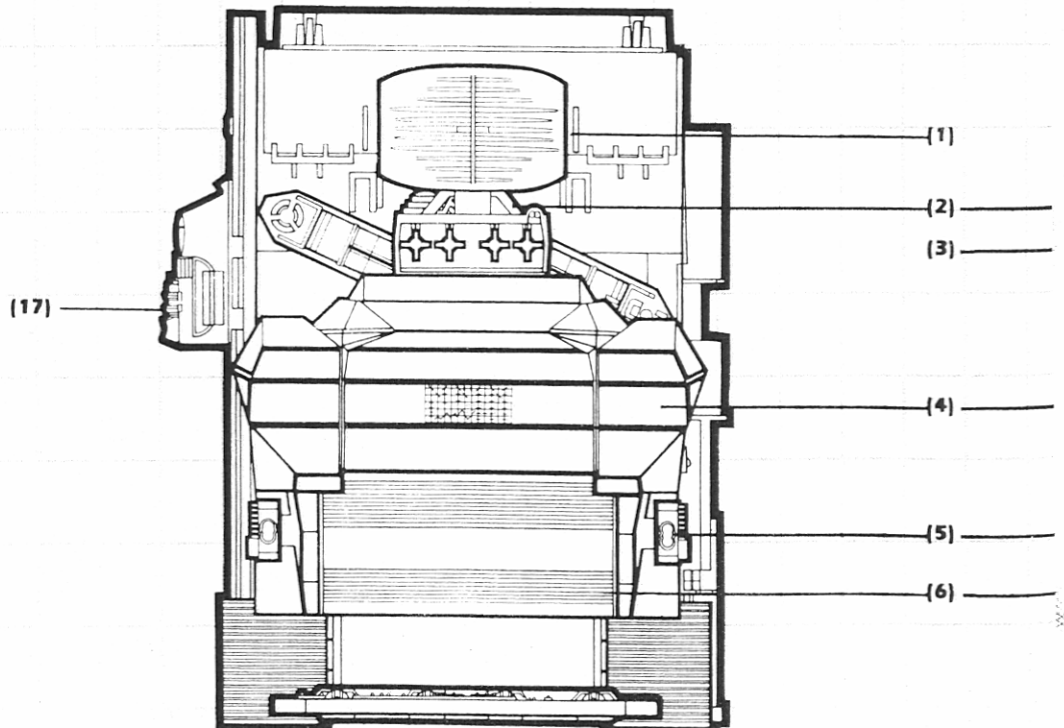
27 Lift Missile Bay and Command Bay and pivot over Service Bay.

28 Fit slot in bottom of LONG PILLAR underneath vehicle. SEE INSET. Fit slot in bottom of ELEVATOR SLIDE underneath tab on right side of vehicle. Fit top of slide over roof of vehicle to secure. (Grasp transport handles to lift vehicle.)

29 Slide Cab upward to lock into transport mode.

MOBILE COMMAND CENTER

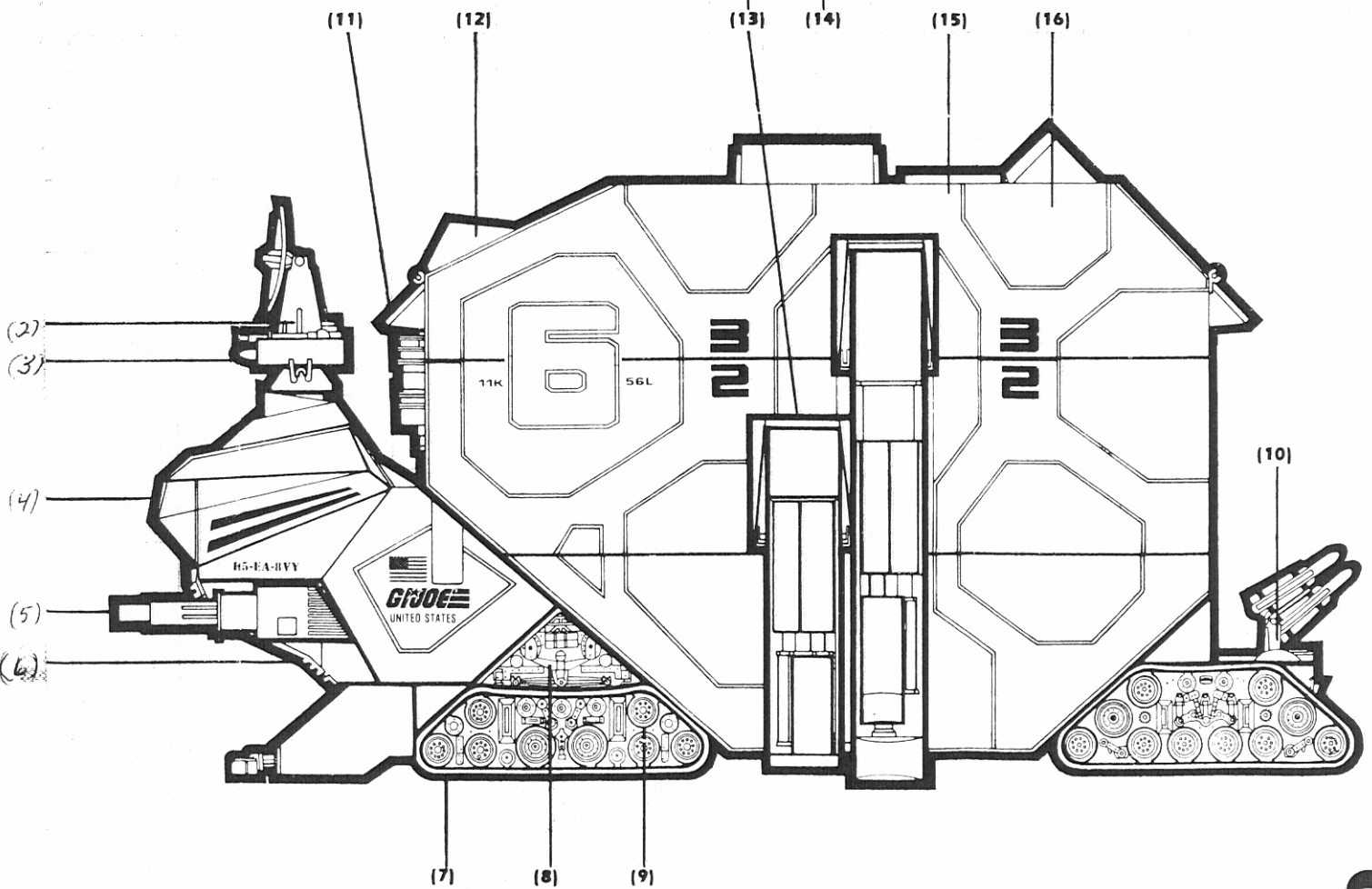
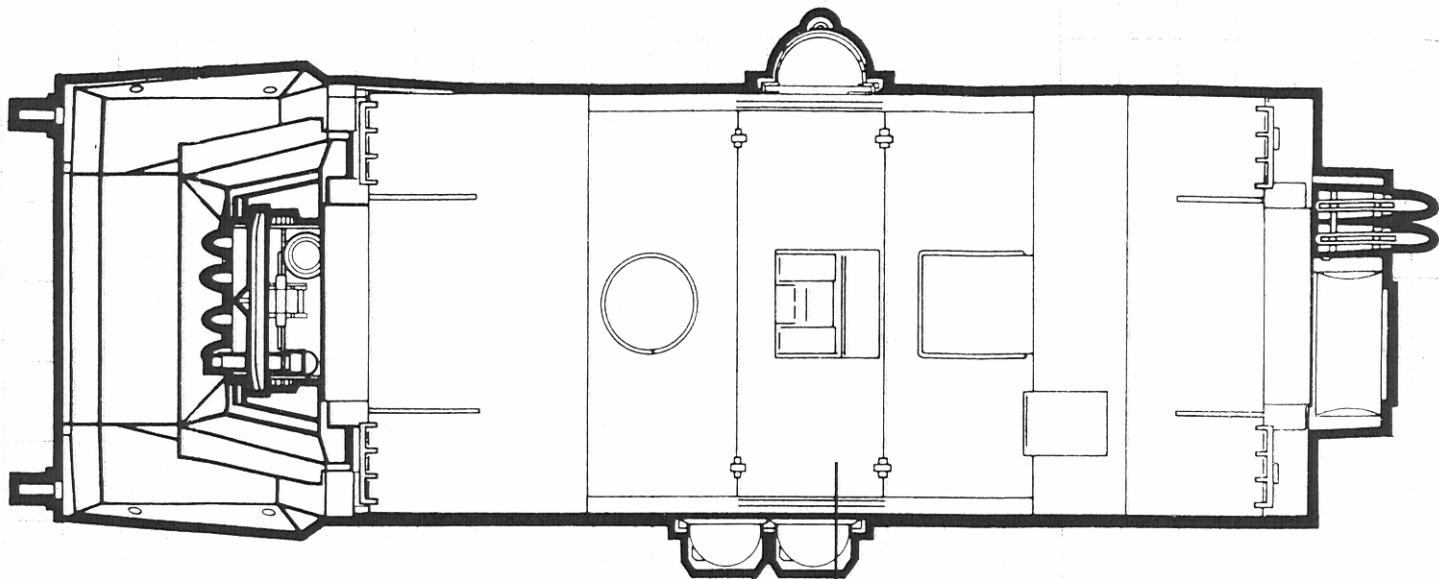
1. TARGET ACQUISITION/FORWARD MISSILE CONTROL RADAR
2. COMMUNICATIONS/COUNTERMEASURES COMPUTER
3. HE-27 250 LB. MISSILES
4. BLAST-RESISTANT WINDSHIELD
5. .50 CAL CANNONS
6. BLAST-PROOF AIR EXCHANGE VENTILATORS
7. ALL-TERRAIN TRACKS
8. 2000 KILOWATT/2700 HP DIESEL ENGINE
9. GENERATOR
10. TARGETING ARRAY/MISSILE LAUNCHER
11. PLATFORM ELEVATION SYSTEM
12. TILT-BACK AIRCRAFT LANDING STATION
13. PLATFORM ELEVATION SUPPORT ARMS
14. ROTATING MISSILE LAUNCHER
15. SUPPORT FRAME STRUCTURE
16. PANEL EXTERIOR
17. VERTICAL TRANSPORT STATION

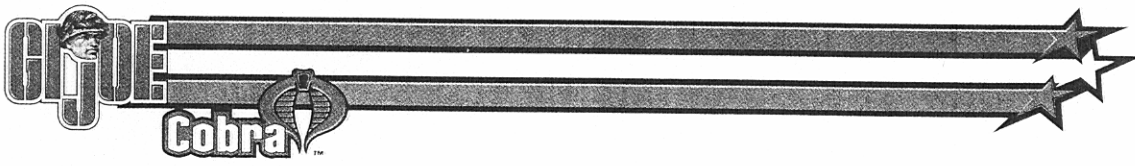


eeded.

Includes unassembled MOBILE COMMAND CENTER,
figure, label sheet and instructions.

WARNING:
CHOKING HAZARD-Small parts.
Not for children under 3 years.





WARNING:
 CHOKING HAZARD-Small parts.
 Not for children under 3 years.

MOBILE COMMAND CENTER LABEL PLACEMENT

AGE 5+
 5390E

