

Assault Copter Locust™ XH-1

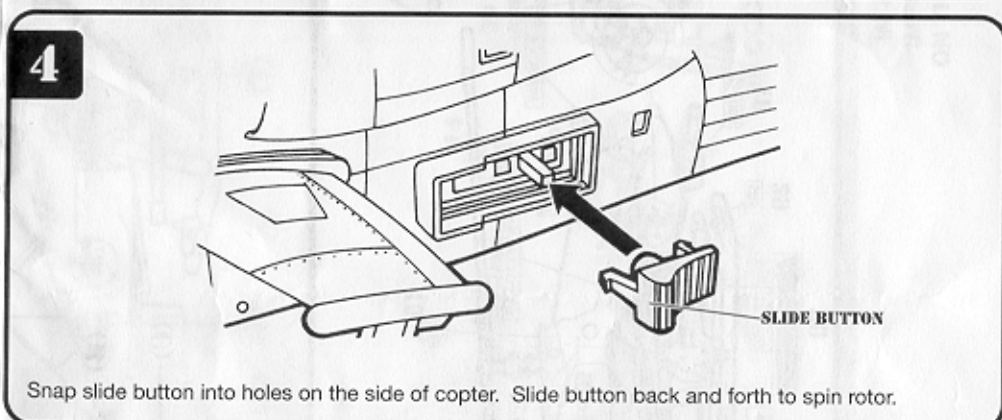
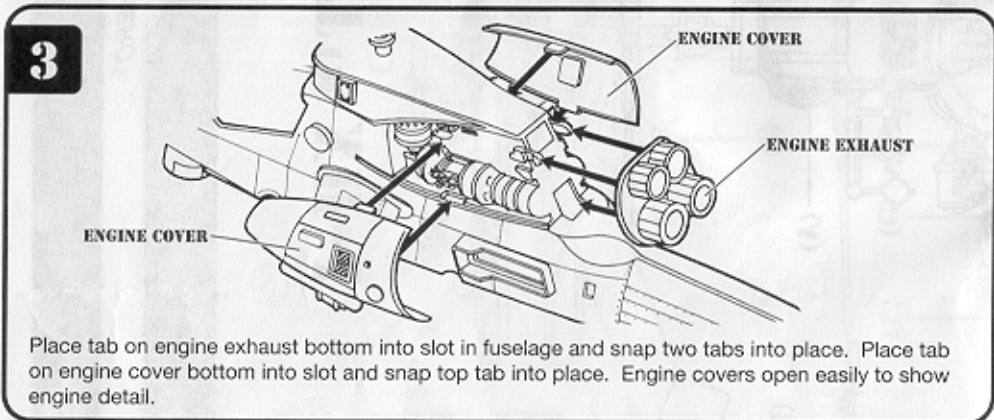
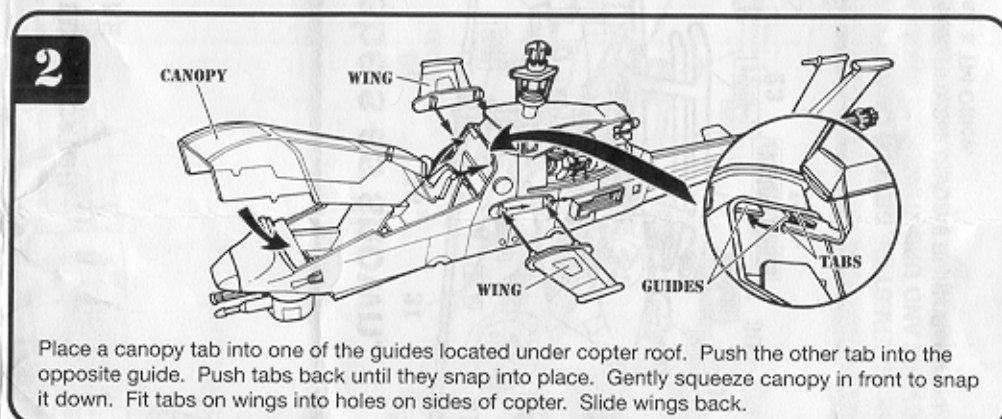
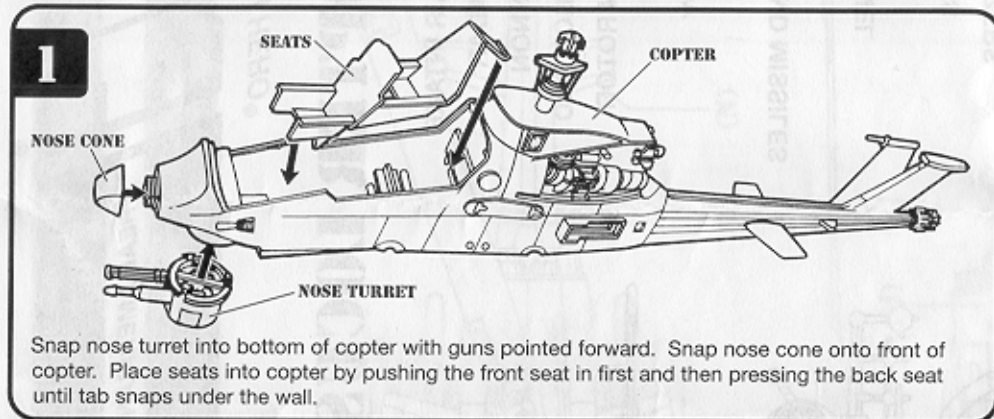
Ages: 5 & Up

Some Assembly Required – No Tools Necessary

Remove pieces from their runners. Use safety scissors to cut pieces from runners if necessary.

WARNING:

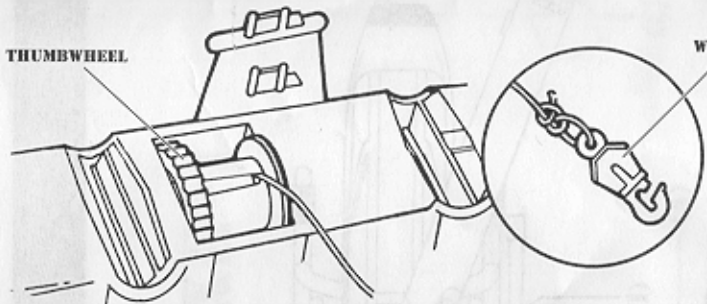
CHOKING HAZARD - Small parts.
Not for children under 3 years.



5

THUMBWHEEL

WINCH HOOK



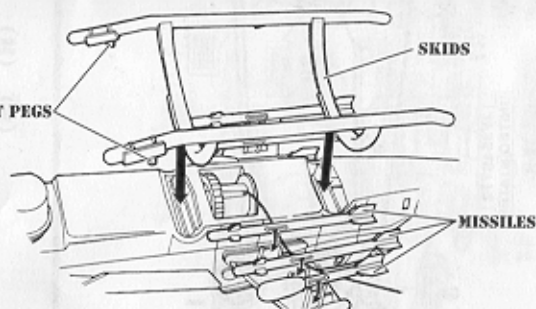
Locate string beneath copter. Knot the string through winch hook. Raise and lower the winch hook by turning the thumbwheel.

6

FOOT PEGS

SKIDS

MISSILES



Fit tabs on skids into two slots in bottom of copter with foot pegs facing front. Fit the slots on bombs and missiles over the tabs on wings. Remove them for pretend launches.

7

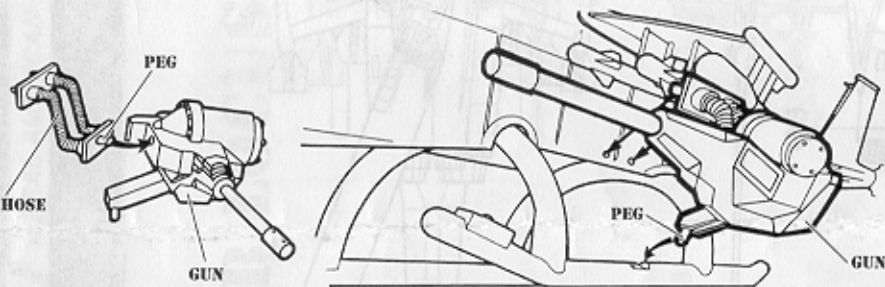
PEG

GUN HOSE

GUN

PEG

GUN



Put peg of gun hose into the gun. Fit other two pegs of gun hose into holes in side of copter. Place peg on the bottom of gun into hole in skid.

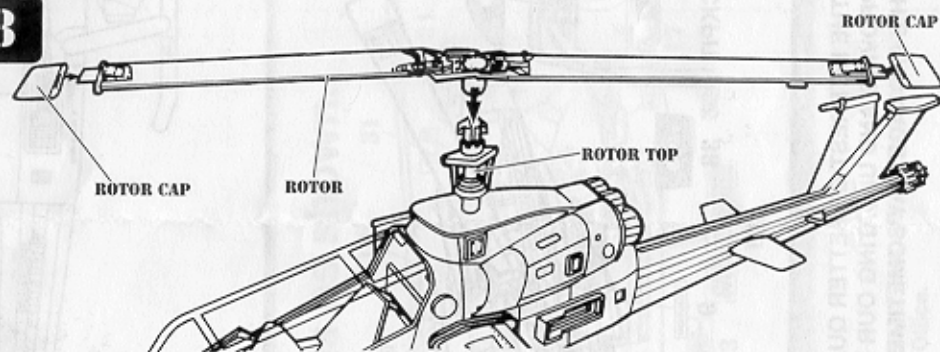
8

ROTOR CAP

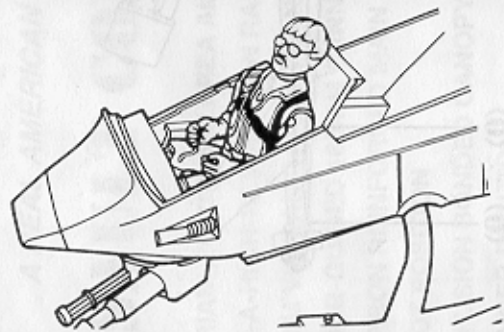
ROTOR CAP

ROTOR

ROTOR TOP



Snap rotor onto rotor top. Fit rotor caps onto ends of rotor.

9

Bend Wild Bill's legs and seat him in the copter. Seat another G.I. Joe 3 3/4" figure (not included) in the other seat. Now you're ready to go!

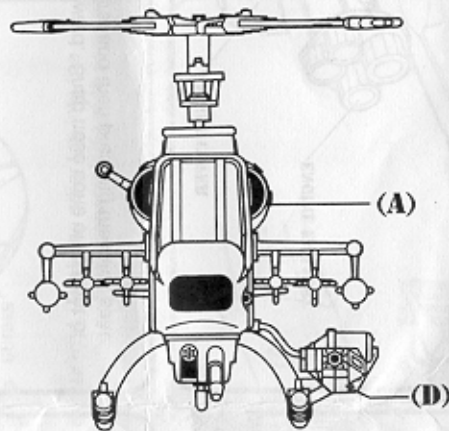
G.I. JOE[®]

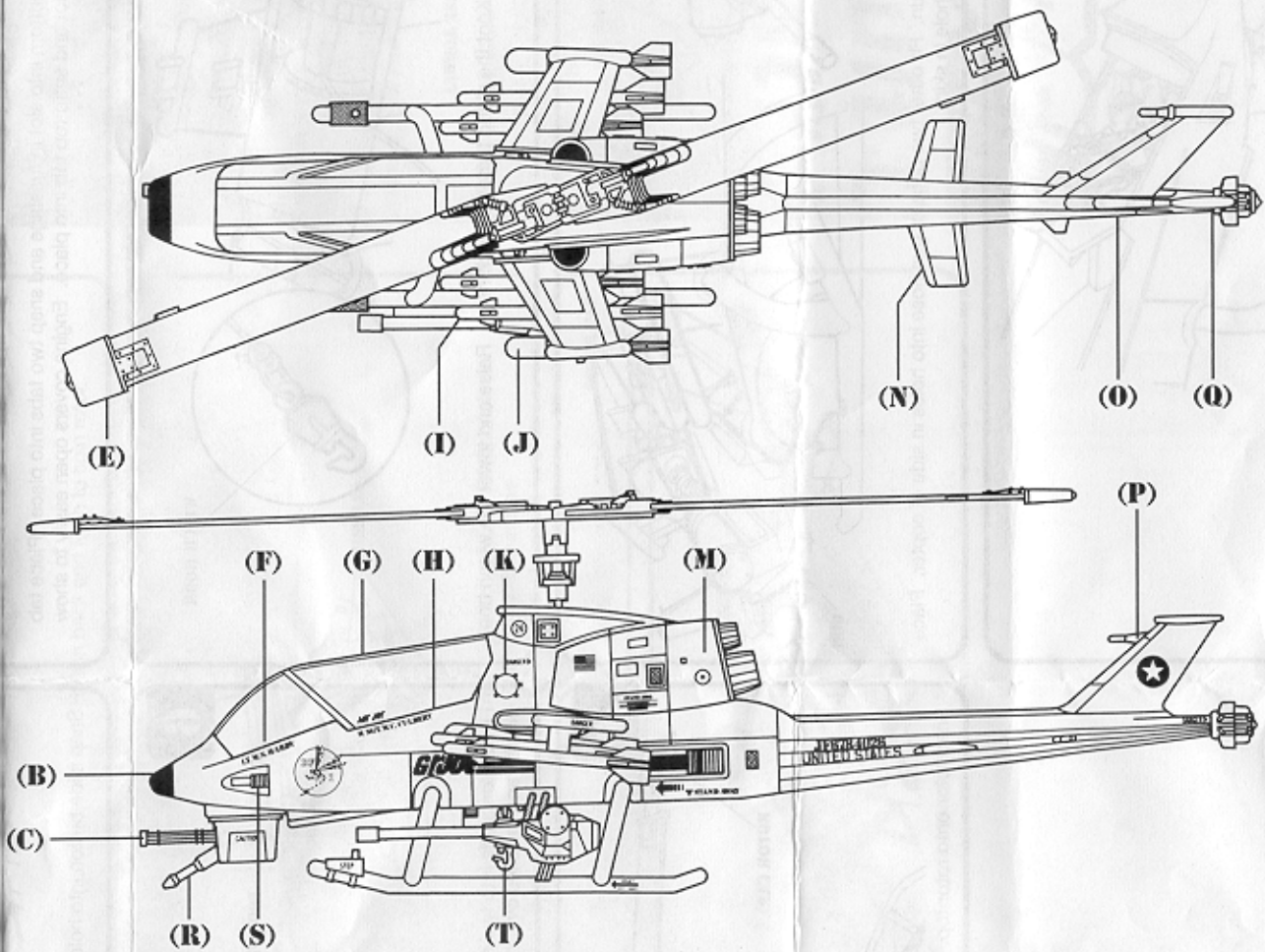
A REAL AMERICAN HERO[®]

A REAL AMERICAN HERO[®]

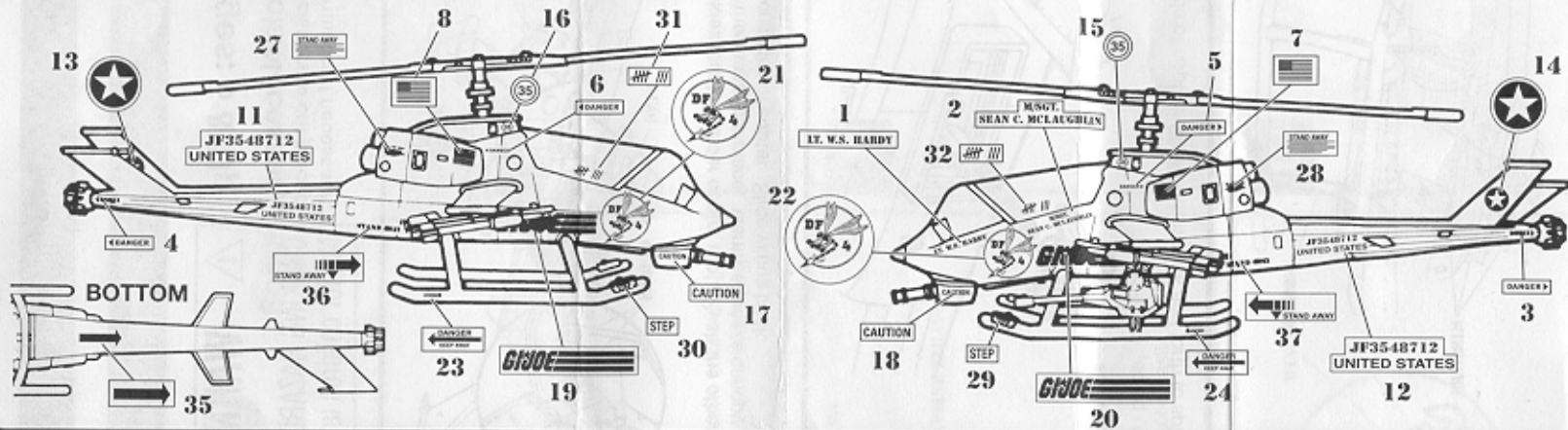
ASSAULT COPTER LOCUST™ XH-1

- A) VARIABLE CAPTURE AREA AIR INTAKE**
- B) 317-A-HIGH-RESOLUTION RADAR**
- C) 25MM VULCAN GATLING CANNON**
- D) LASER-GUIDED 160MM CANNON POD**
- E) CARBON REINFORCED MAIN ROTOR**
- F) PILOT POSITION**
- G) DIFFUSION BONDED CANOPY**
- H) GUNNER POSITION**
- I) SIDEWINDER AIR-TO-GROUND MISSILES**
- J) SIDEWINDER H.E. MISSILES**
- K) MAINTENANCE ACCESS PANEL**
- L) WEAPONS PYLONS**
- M) TWIN TURBOSHAFT ENGINES**
- N) REAR HORIZONTAL STABILIZERS**
- O) OFFSET V-TAIL**
- P) OMNIDIRECTIONAL AIR SPEED INDICATOR**
- Q) COUNTER-ROTATING TURBINE**
- R) M-34 GRENADE LAUNCHER**
- S) X-551 60MM MINI-CANNON**
- T) RESCUE HOOK / WINCH**

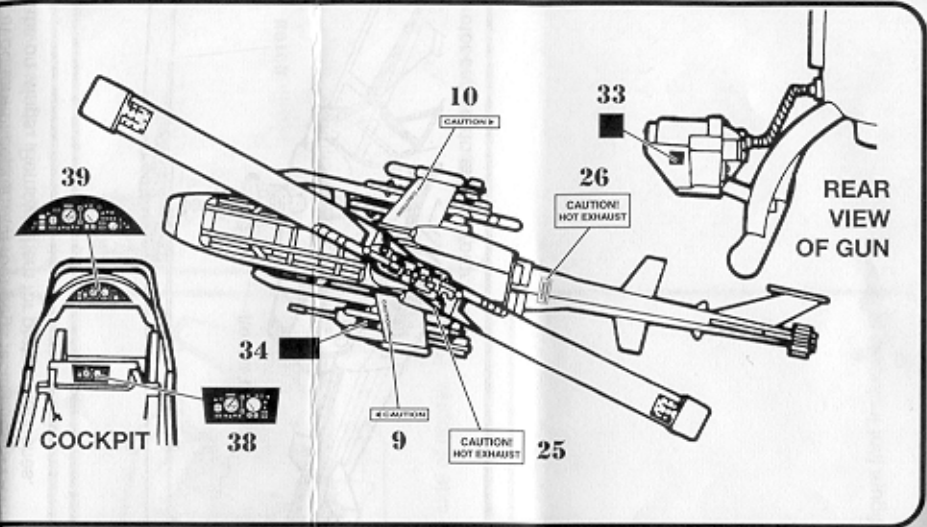




Peel and apply labels as shown.



© 2000 Hasbro, Inc., Pawtucket, RI 02862 USA. All Rights Reserved.
 ® & TM denote Reg. U.S. Pat. & TM Office.
 MADE IN CHINA



IN THE INTEREST OF BETTER QUALITY AND VALUE, WE ARE CONSTANTLY IMPROVING AND UPDATING OUR PRODUCTS. CONSEQUENTLY, PICTURES ON THIS PACKAGE MAY SOMETIMES DIFFER FROM THE MODEL ENCLOSED.

PN 47294400