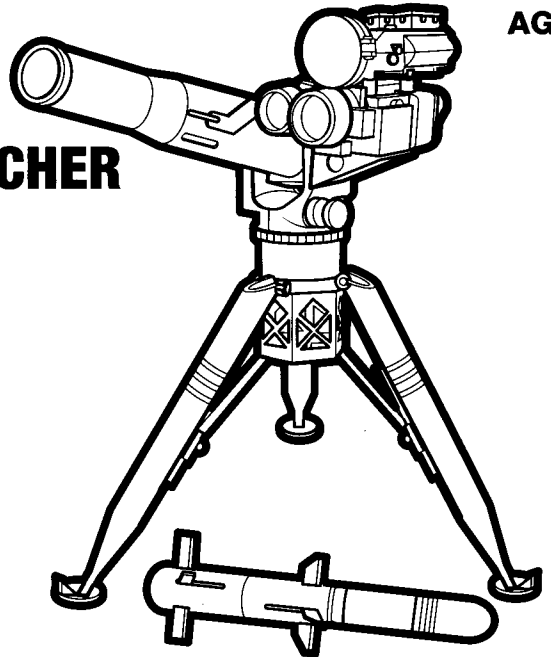




WARNING:
CHOKING HAZARD—Small parts.
Not for children under 3 years.

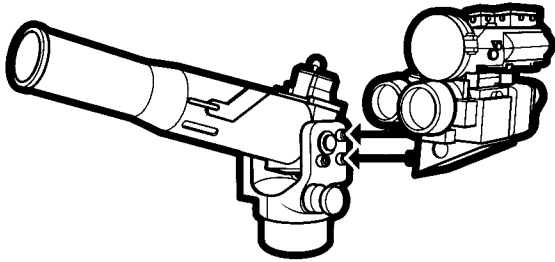
AGES 5+
53175

TO ASSEMBLE TOW MISSILE LAUNCHER



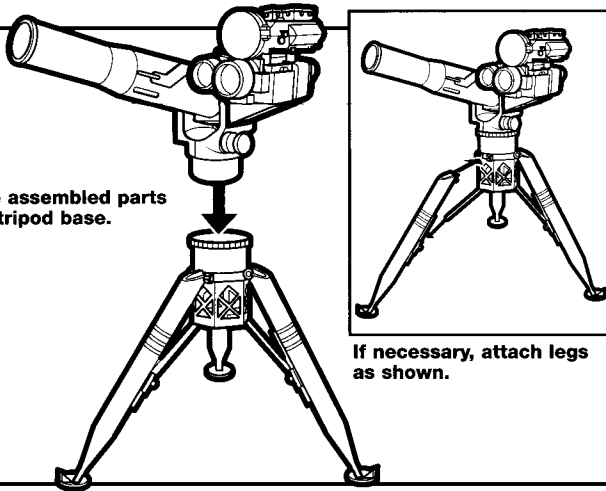
(Launcher does not actually fire.)

1.



Attach day/night sight to side of traversing unit.

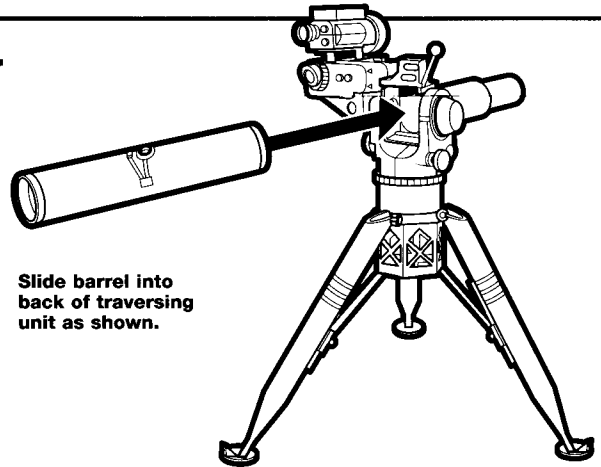
2.



Slide assembled parts into tripod base.

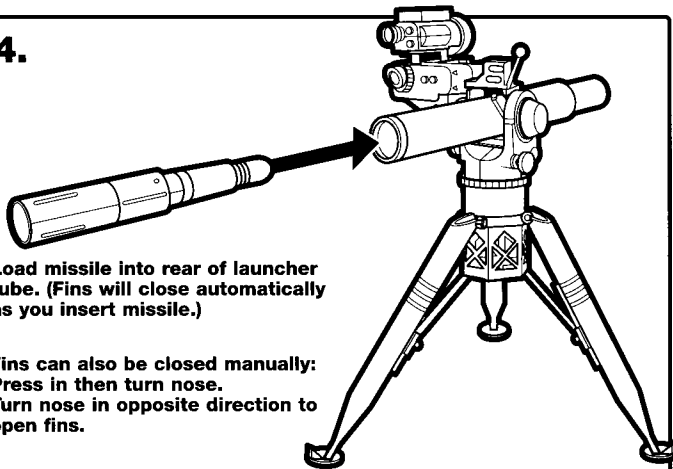
If necessary, attach legs as shown.

3.



Slide barrel into back of traversing unit as shown.

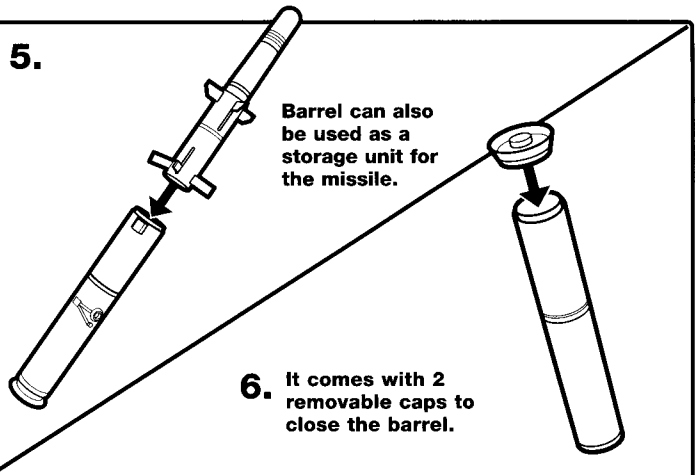
4.



Load missile into rear of launcher tube. (Fins will close automatically as you insert missile.)

Fins can also be closed manually: Press in then turn nose. Turn nose in opposite direction to open fins.

5.



Barrel can also be used as a storage unit for the missile.

6. It comes with 2 removable caps to close the barrel.