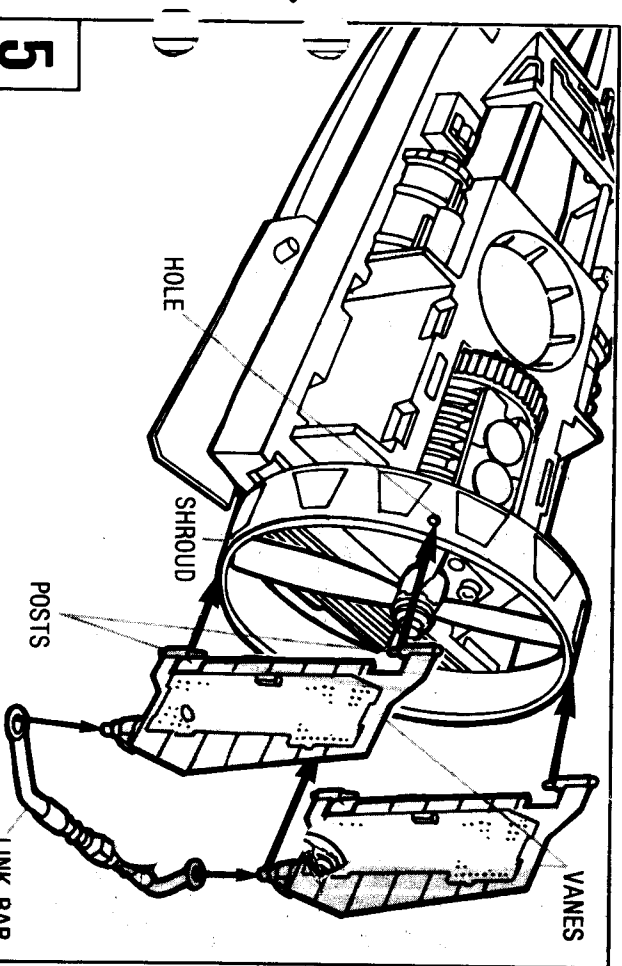
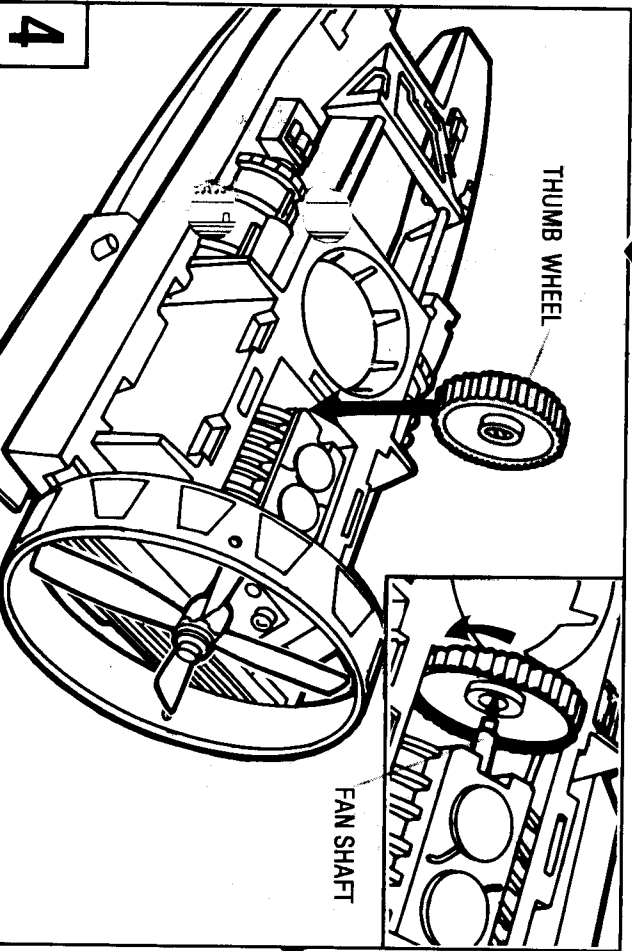
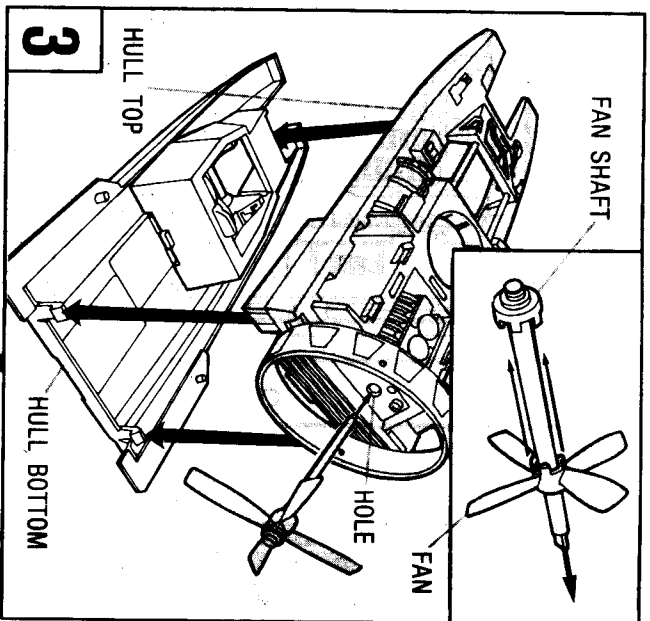
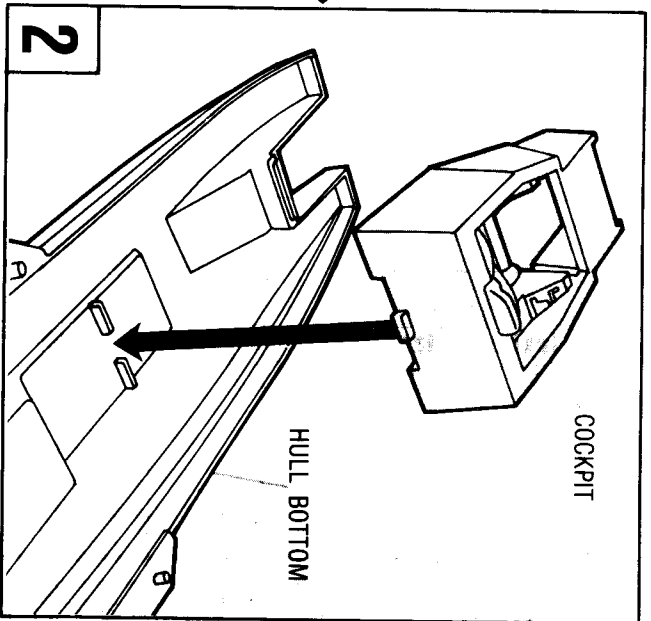
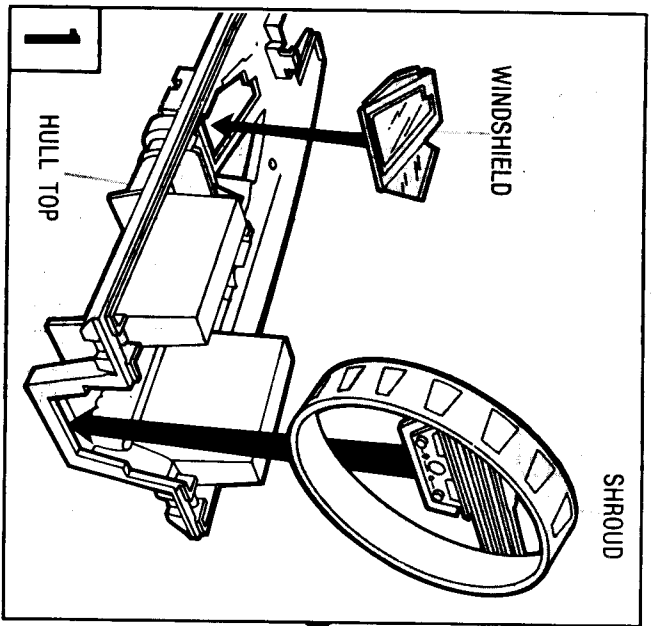
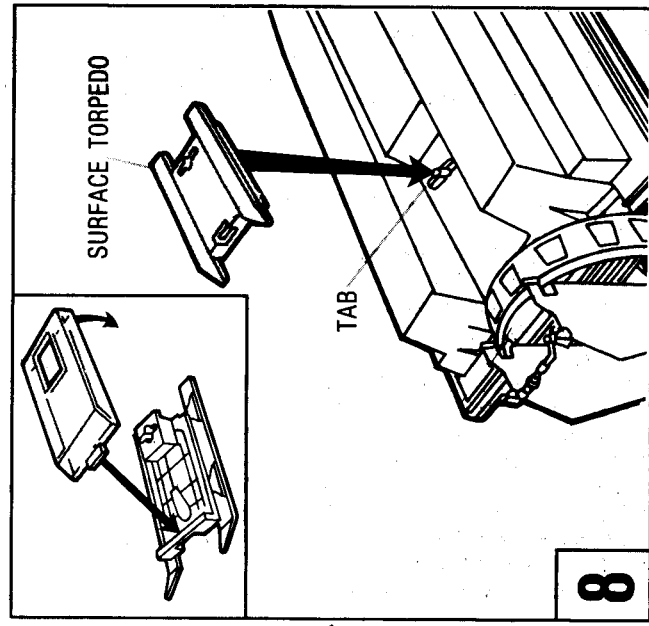
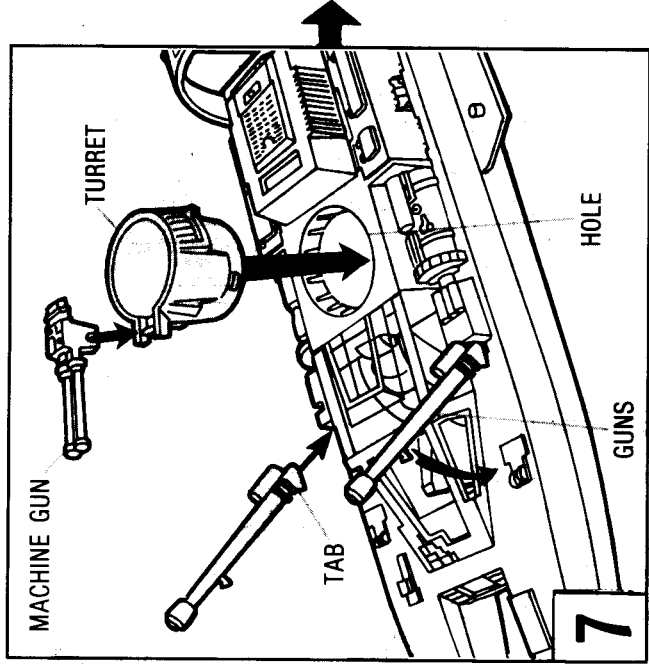
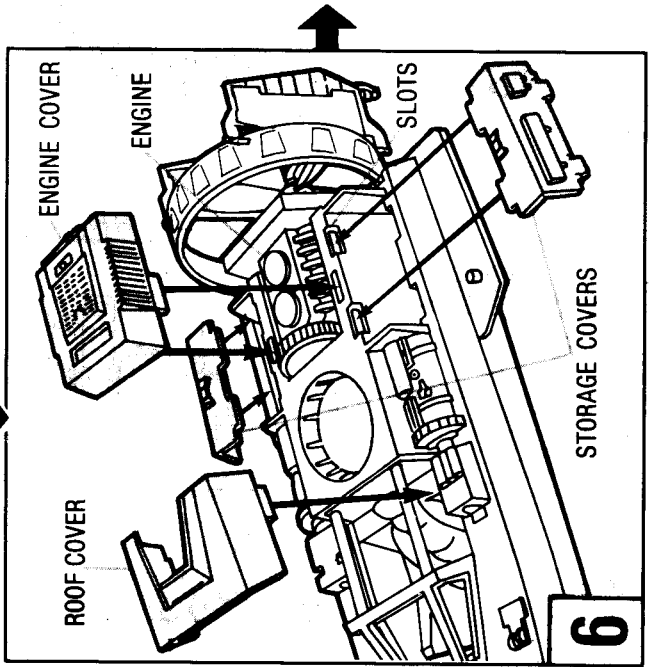


## TIGER SHARK™ INSTRUCTIONS

Remove all pieces from plastic frames. If you have difficulty, use safety scissors.



66910



1. Turn hull top upside down. Snap windshield into hull. Press side windows into place. Place shroud into hull top. (ILL. 1)
2. Place cockpit into front of hull bottom. (ILL. 2)
3. Turn hull top right side up. Snap hull top to hull bottom. Insert fan shaft into fan, line up and snap closed (INSET) Fit fan shaft through hole in shroud and into hole in hull top. (ILL. 3)
4. Drop thumb wheel into hull top. Line up shaft with slot in thumb wheel and push together tightly. (ILL. 4)
5. Fit posts on vanes into holes on shroud. Fit holes in link bar onto posts on bottom vanes. (ILL. 5)
6. Place engine cover over engine. Fit storage covers into slots. (Note: To remove storage covers press on top of cover and pull sideways). Snap roof cover into place. (ILL. 6)
7. Snap machine gun onto turret. Push turret down into hole in body top and snap together. Fit rear tabs on guns into holes in body top and snap into place. (ILL. 7)
8. Snap surface torpedo halves together. (INSET) Fit onto tab on body hull. (ILL. 8)

## TIGER SHARK™

1. BORON-EPOXY RIVERINE SWAMP-GRADE HULL DESIGN
2. COCKPIT MAIN AIR INTAKES
3. ENVIRONMENTAL SENSOR WEB/MONITOR UNIT
4. FORWARD CPU/DATA LINK ACCESS PANEL
5. 50MM RETRO-FIT "DESTRUCTOR II" CANNONS
6. ANTI-GLARE/BALLISTIC RESILIENT WIND SCREEN
7. REMOVEABLE WEATHER-TIGHT TARGA ROOF
8. ENLARGED MAIN CANNON AUTO-LOAD HOUSING
9. 20MM TURRET MOUNTED DUAL BARRELLED CANNON
10. ELECTRICALLY DRIVEN TURRET/DRIVER OVERRIDE CAPABILITY
11. SIDE MOUNTED BATTLE PLATFORMS-ENLARGED
12. ELECTRO-MAGNETIC/DRIVER REMOTE OPERATED STORAGE COMPARTMENTS
13. TWIN-BANK SUPERCHARGED 48 VALVE V-12 ENGINE
14. VARIABLE-PITCH HIGH-SPEED FIBERGLASS AND EPOXY FAN BLADE
15. BORON-EPOXY FAN DIRECTIONAL VANES
16. REMOTE GUIDED "GATOR" SURFACE TORPEDO

Peel and apply labels as shown.

