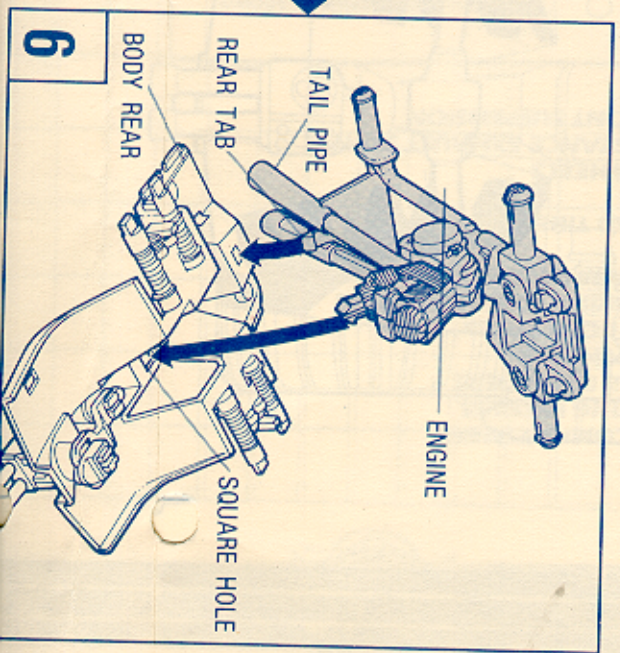
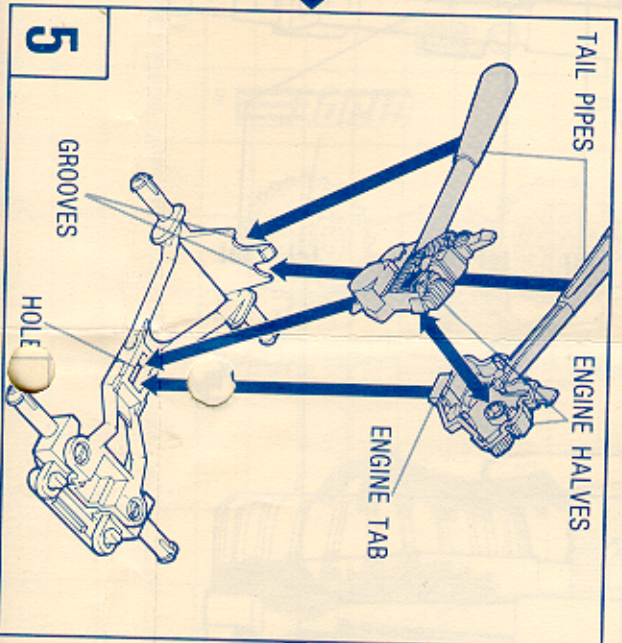
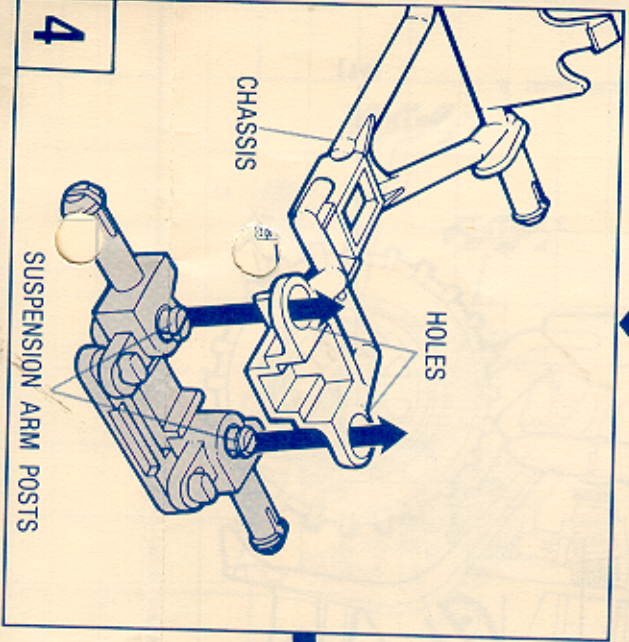
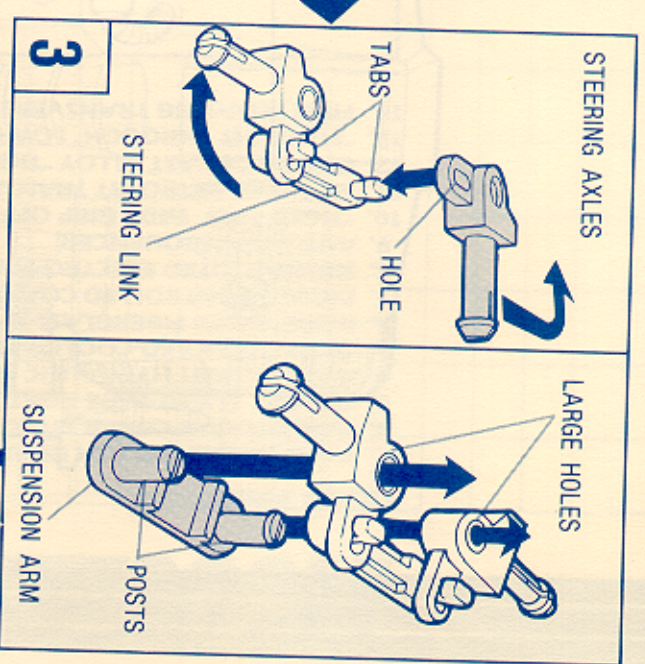
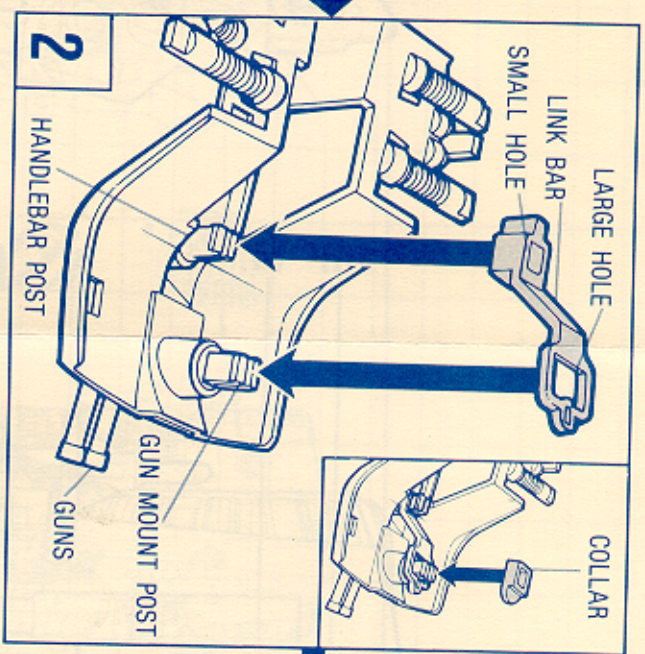
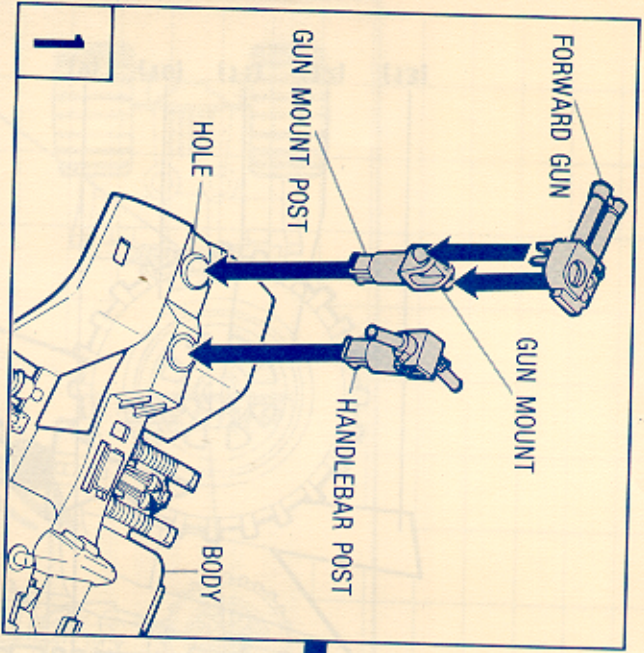
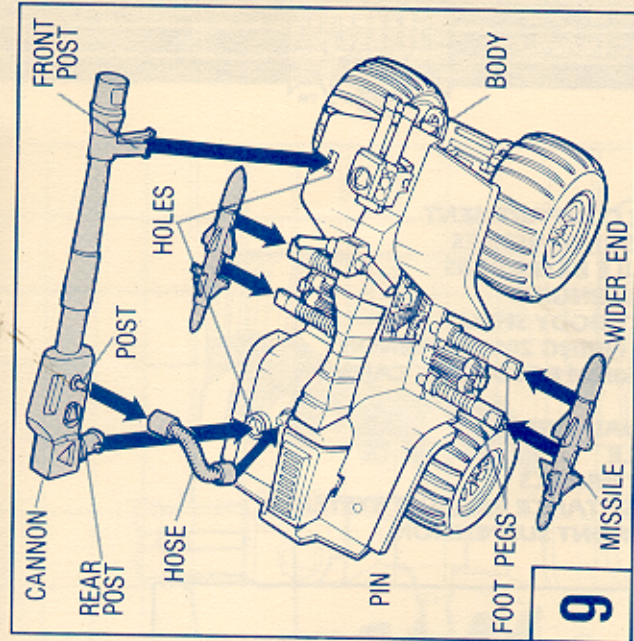
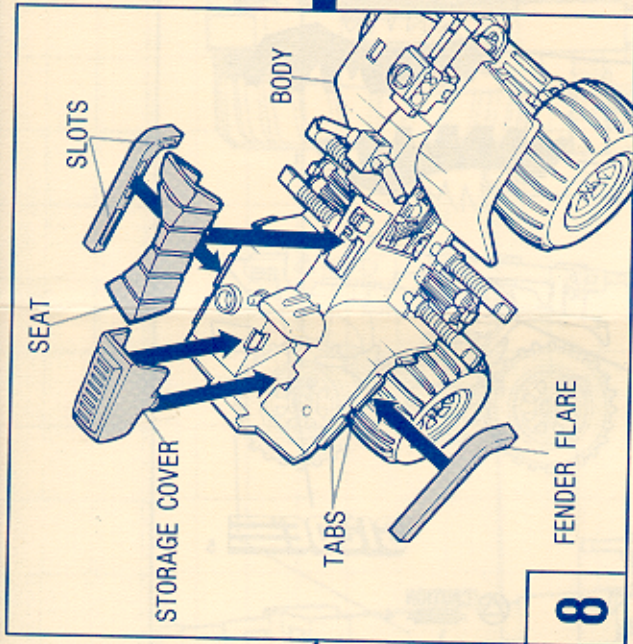
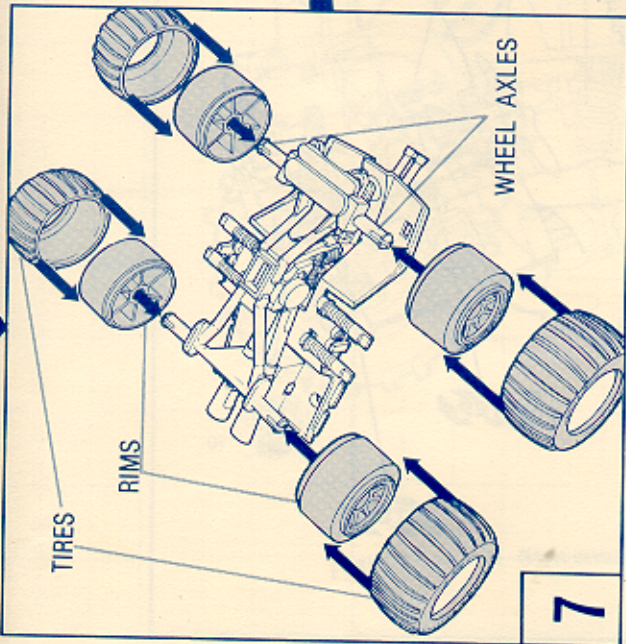


CoCoCo

Remove all pieces from plastic frames. If you have difficulty, use safety scissors.



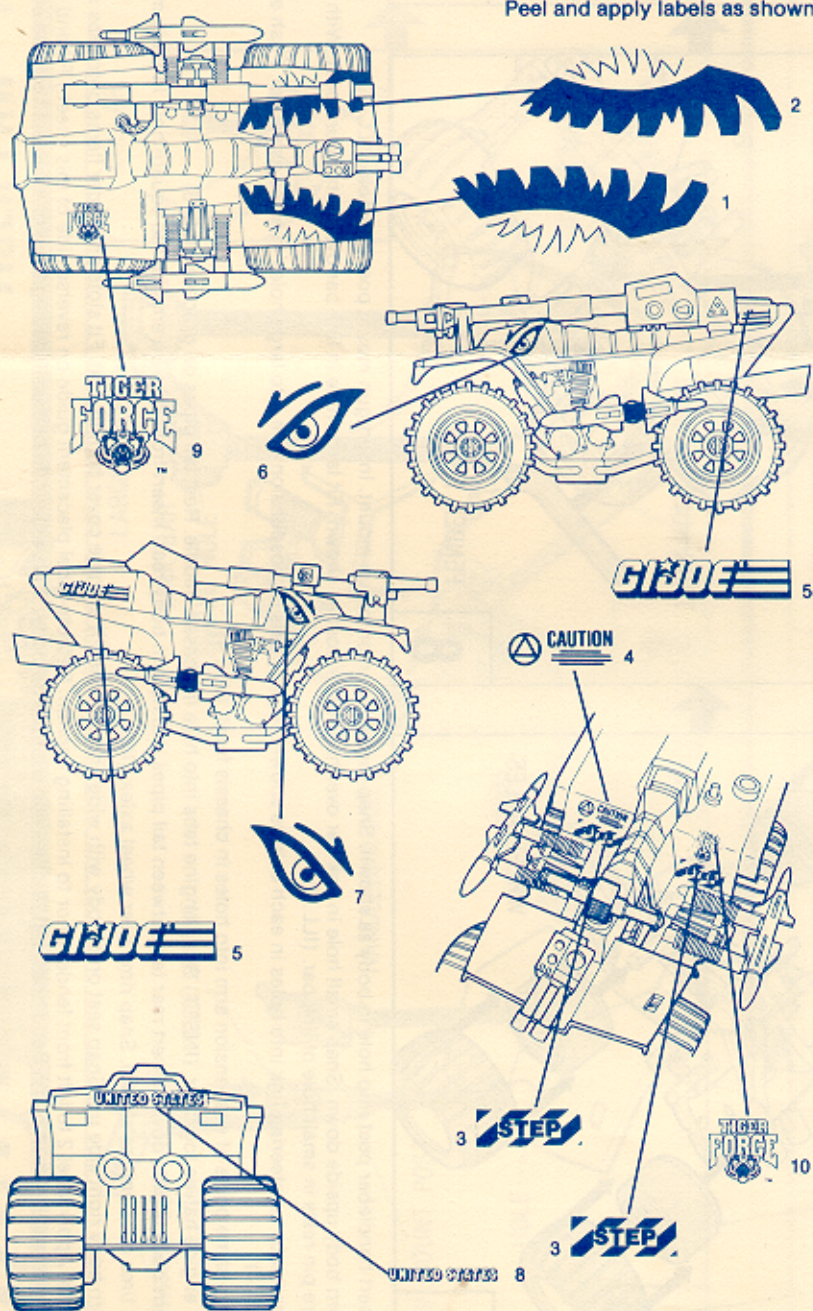


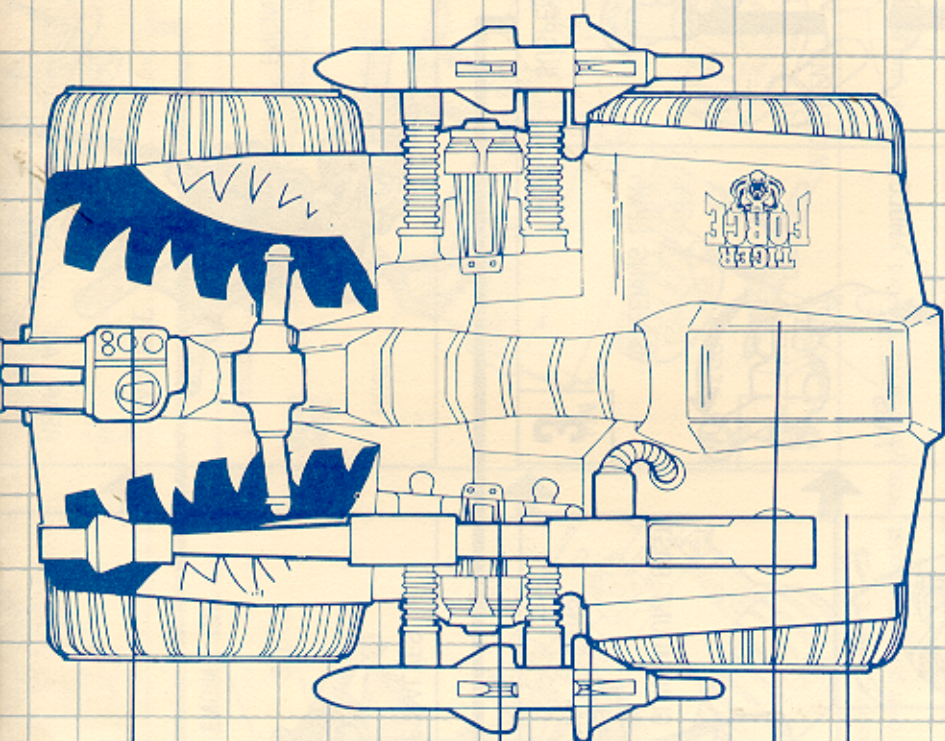
1. Insert handlebar post into hole in body as shown. Snap forward gun onto gun mount. Insert gun mount post into hole. (ILL. 1)
2. Turn body upside down. Snap small hole in link bar over handlebar post as shown. Fit large hole in link bar over gun mount post. With guns facing forward, snap collar over gun mount post. Make sure pin rests in small hole of link bar. (ILL. 2)
3. Insert tabs on steering link into holes in each axle as shown. Insert posts on suspension arm into large holes in axles as shown. Push axles into position to align with posts on suspension arm. (ILL. 3)
4. Snap same posts of suspension arm into holes in chassis front. (ILL. 4)
5. Fit engine halves together. (INSET) Snap engine tabs into hole in chassis middle. Rest tail pipes on grooves. (ILL. 5)
6. Turn body upside down. Insert rear tab between tail pipes into hole in body rear. Insert front tabs on engine into square hole in body middle. (ILL. 6)
7. Fit tires over rims as shown. Snap rims over wheel axles. (ILL. 7)
8. Turn body right side up. Snap seat onto body with wide end at front. Fit storage cover behind seat. Fit slots on fender flares onto tabs on body sides. (ILL. 8)
9. (Note: Apply label 2 to left front fender prior to installing cannon. Refer to label placement guide on reverse side of this sheet.) Fit end of hose over post on cannon. Snap front and rear posts on cannon into holes in body. Bend hose and fit other end over pin on body. With wider end of missile facing front of vehicle, fit missile onto ends of foot pegs. Repeat with other missile. (ILL. 9)

TIGER PAW™

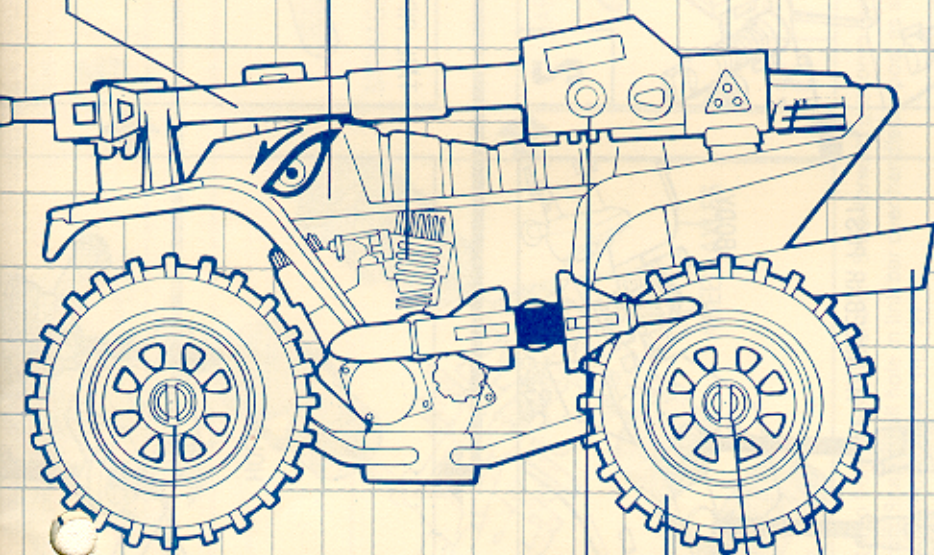
1. REAR FENDER SPLASH GUARDS
2. REMOVEABLE COVER STORAGE COMPARTMENT
3. "FELINE" FLY-BY-WIRE HEAT-SEEKING MISSILES
4. AUTO-ADJUST HYDRAULIC MISSILE EXTENDERS
5. 16 VALVE LIQUID-COOLED 115HP ENGINE
6. REINFORCED FIBERGLASS-EPOXY BODY SHELL
7. DRIVER-CONTROLLED COAXIAL FIRING 20MM CANNONS
8. SIDE-MOUNTED ELECTRO-FIRE 50MM RECOILLESS CANNON
9. AUTO-FIRE SEQUENCER
10. "TIGER PAW" WIDE GRIP OFF-ROAD TIRES
11. SIX SPEED RETRO-FIT TRANSAXLE
12. ONE-PIECE CAST ALLOY "TIGER" WHEELS
13. "STRAIGHT THROUGH" LOW-RESISTANCE EXHAUST SYSTEM
14. FREE FLOATING TRANSVERSE FRONT SUSPENSION

Peel and apply labels as shown.





(8) (7) (6) (5) (4) (3) (2) (1)



(14) (9) (10) (11) (12) (13)