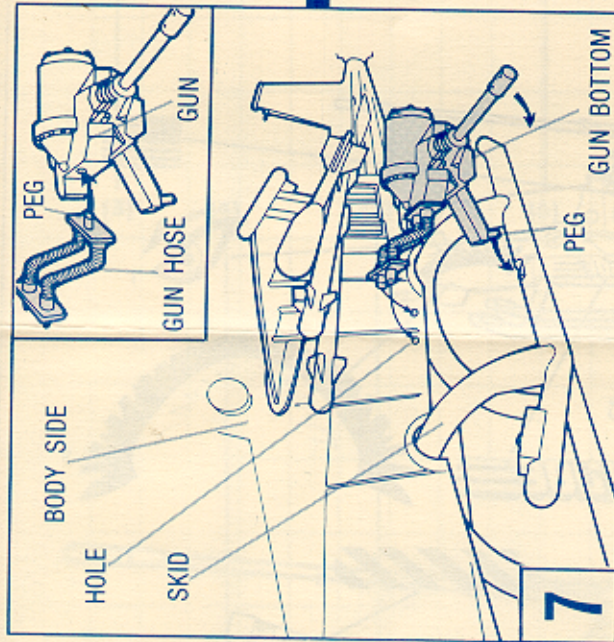
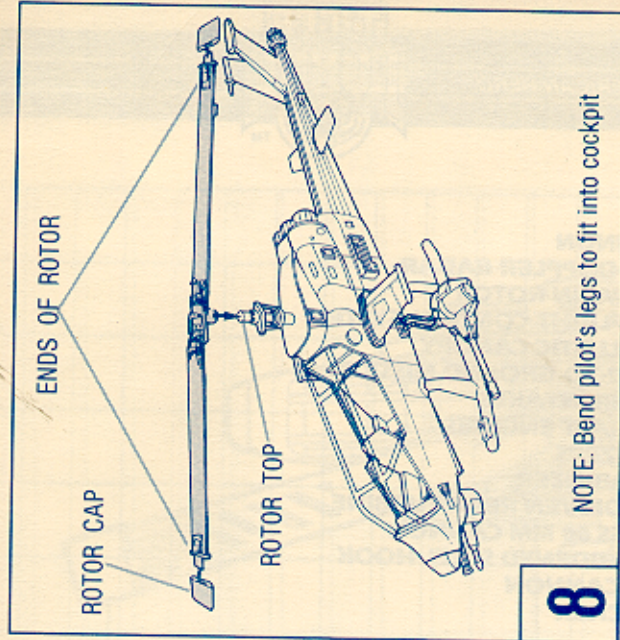


6



7



8

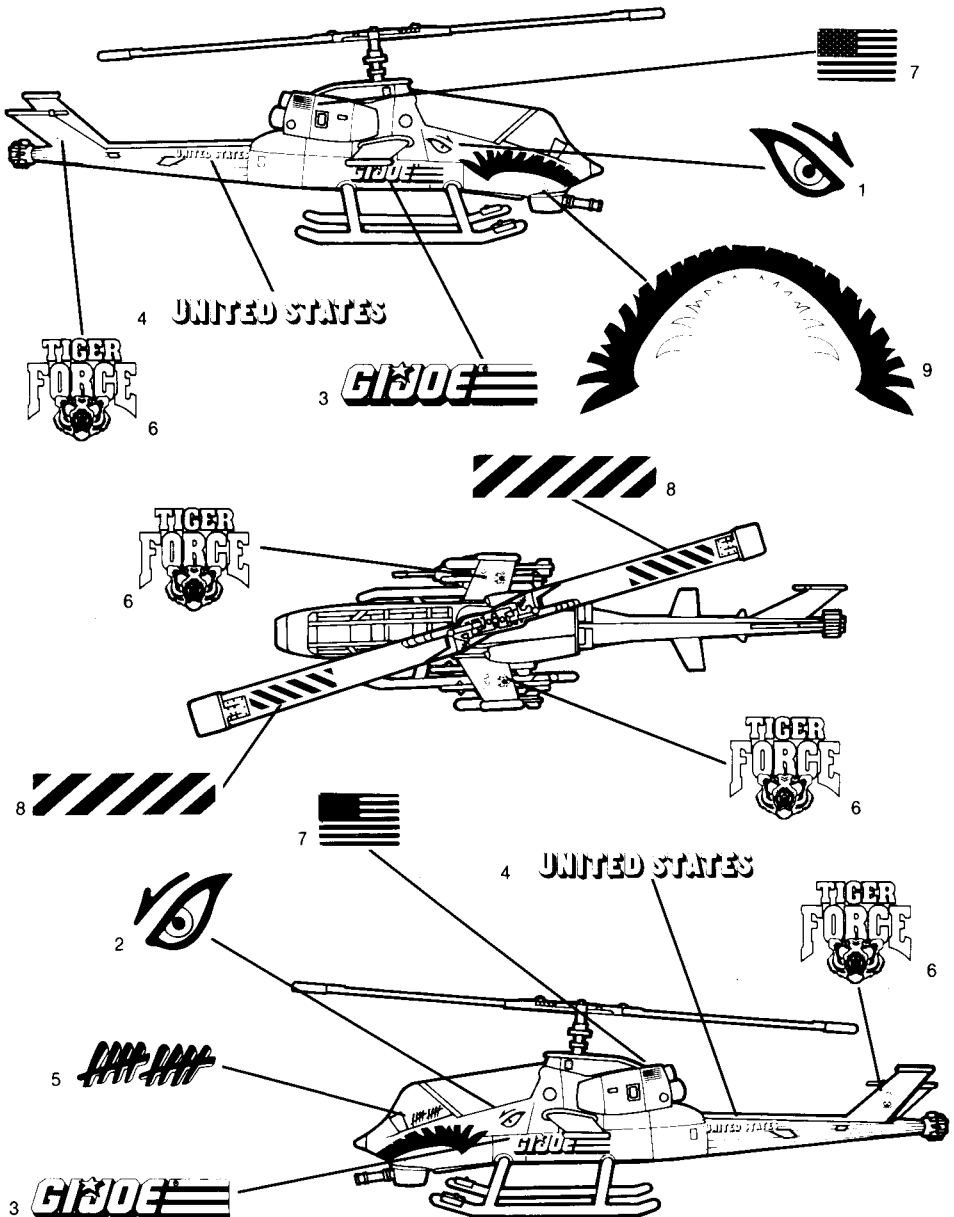
NOTE: Bend pilot's legs to fit into cockpit

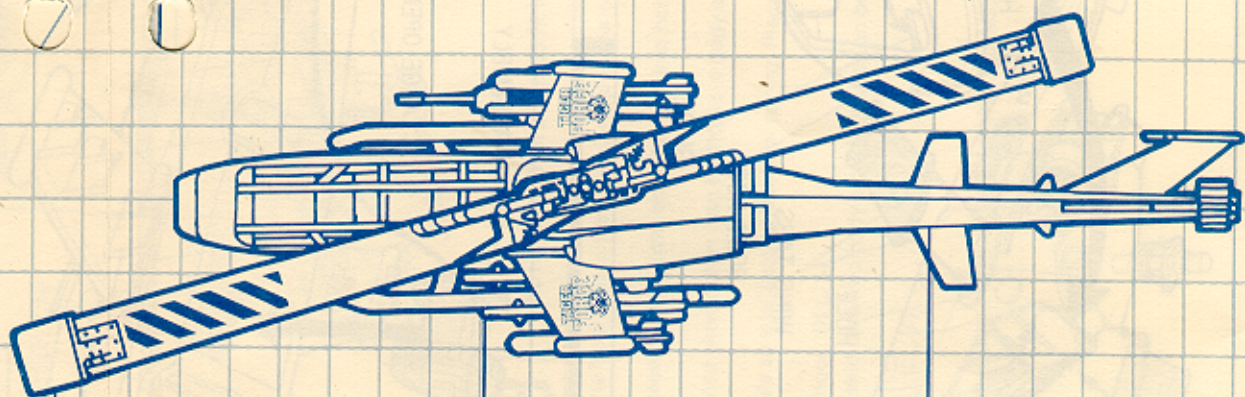
1. With guns pointing forward, snap nose turret into body bottom. Snap nose cone onto front end of body. Place seats into body by pushing the front seat in first, then pressing the back seat until tab snaps under wall. (ILL. 1)
2. Position tabs on canopy into guides under body roof and push back until it snaps into place. Snap down two front tabs to hold canopy in place. Fit wing tabs on right wing into holes in body side and slide wings back. Repeat with left wing. (ILL. 2)
3. Snap tab on engine exhaust bottom into body slot, then snap top tabs into place. Place tab on engine cover into slot and press onto post. Snap slide button into the holes in body side. Slide button back and forth to spin rotor. (ILL. 3)
4. Make a knot at end of winch string. For best results, press and bend spring until coils separate in the middle. Insert the knot between the coils so it is trapped inside of spring. Place spring inside thumbwheel with the string through the slot. Place winch drum over the thumbwheel aligning its slot over the string. (ILL. 4)
5. Squeeze winch assembly and place it into large opening in body bottom, then press until it snaps into place. Knot the string through winch hook. (ILL. 5)
6. Fit tabs on skids into two slots in body bottom with foot pegs facing front. (NOTE: To obtain sure fit, squeeze skids together while inserting skid tabs into body slots.) Fit slots on bombs and missiles over tabs on wings. (ILL. 6)
7. Put peg of gun hose into the gun. (INSET) Fit other two pegs of gun hose into holes in body side. Place peg on gun bottom into hole in skid. (ILL. 7)
8. Fit rotor caps onto ends of rotor. Snap rotor onto rotor top. (ILL. 8)

TIGER FLY™

1. 25 MM VULCAN GATLING CANNON
2. LOWER LEVEL ATTACK PULSE-DOPPLER RADAR
3. CARBON FIBER REINFORCED MAIN ROTOR
4. PILOT FIBER OPTIC PRIMARY FLIGHT CONTROL SYSTEM
5. DIFFUSION BONDED ANTI-BALLISTIC CANOPY
6. TIGER FORCE SIDEWINDER AIR-TO-GROUND MISSILES
7. VARIABLE ADJUST FORCED AIR INTAKES
8. AH-IT 2050 HP TWIN TURBOSHAFT ENGINES
9. TAIL-MOUNTED REAR STABILIZERS
10. OFFSET V-TAIL/VERTICAL STABILIZER
11. COUNTER-ROTATING SHAFT-DRIVEN REAR TURBINE
12. LASER TARGETING RECOILLESS 60 MM CANNON
13. DC SERVO MOTOR WINCH/HARDENED STEEL HOOK
14. TF-7 "SHORT THROW" 20 MM CANNON
15. TF-3 SMOKE GRENADE LAUNCHER

Peel and apply labels as shown.





(3)

(4)

(5)

(6)

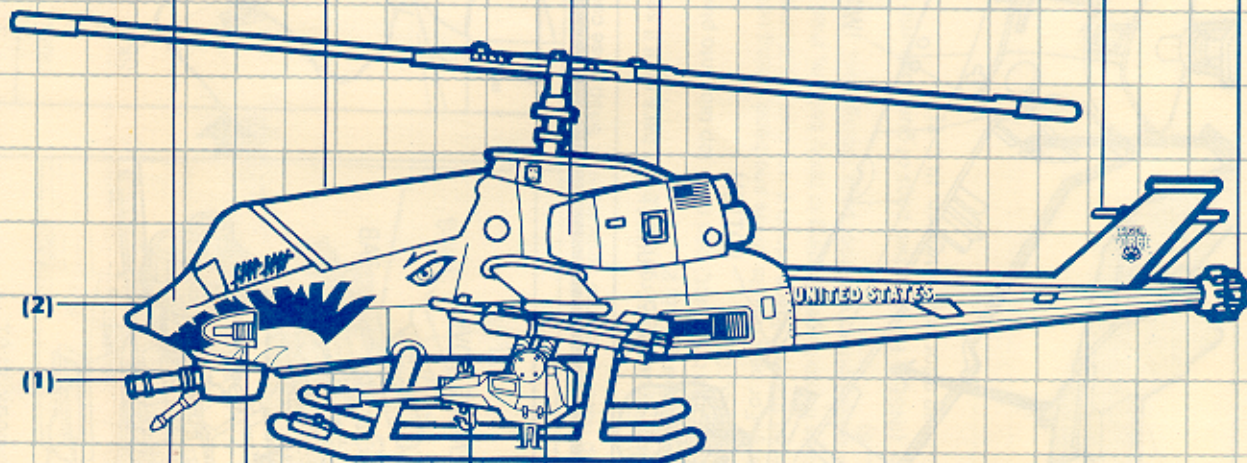
(7)

(8)

(9)

(10)

(11)



(2)

(1)

(15)

(14)

(13)

(12)