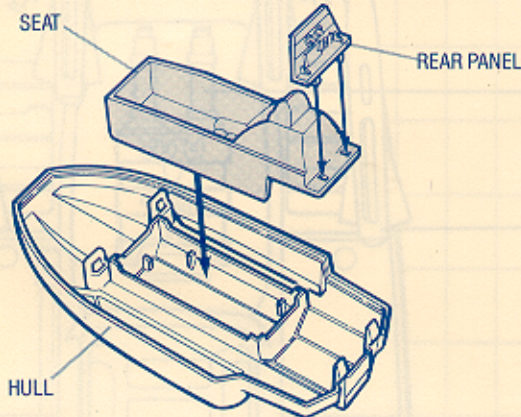
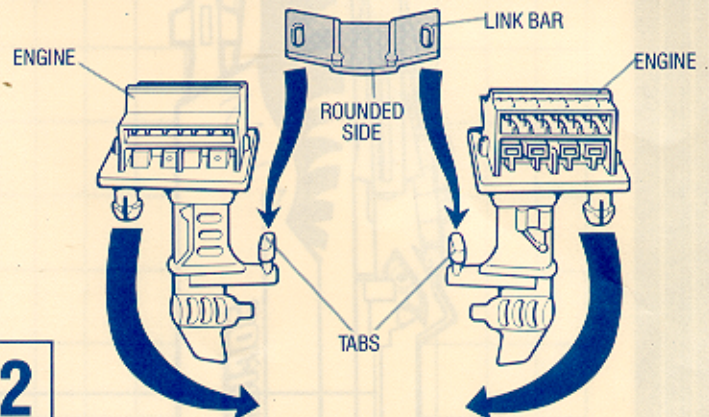


### SEAT/REAR PANEL ASSEMBLY



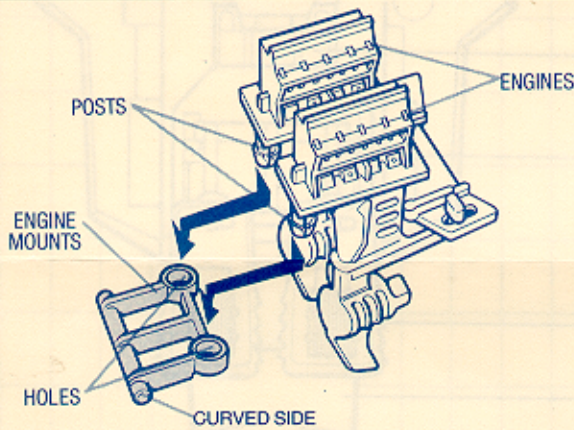
1

### ENGINE CONSTRUCTION



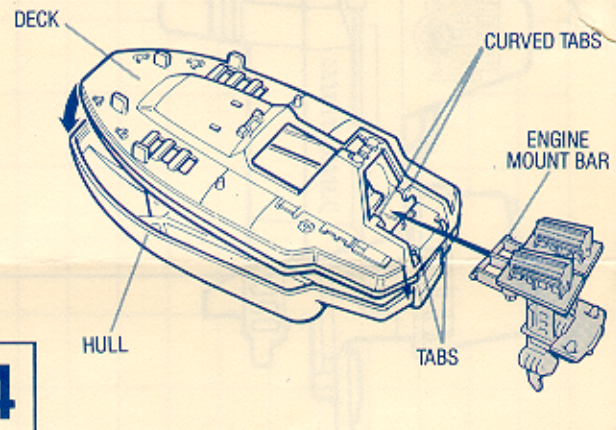
2

### ENGINE MOUNT ASSEMBLY



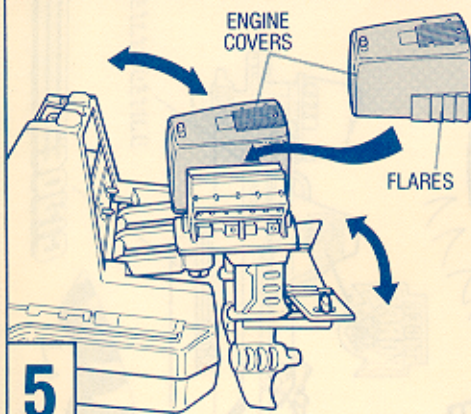
3

### HULL/DECK/ENGINE INSTALLATION



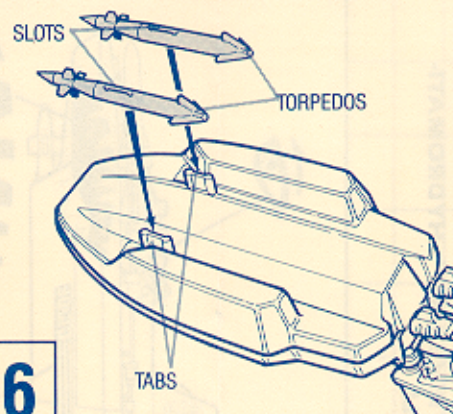
4

### ENGINE COVER INSTALLATION



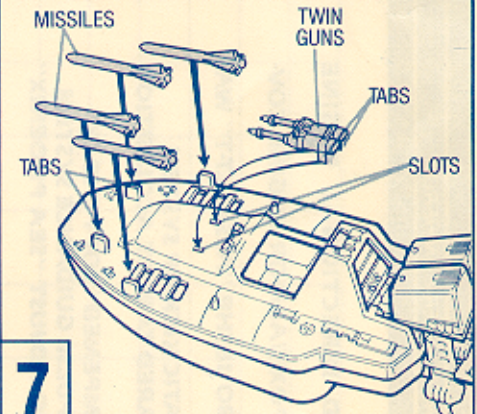
5

### TORPEDO INSTALLATION



6

### MISSILES/GUN IMPLEMENTATION



7

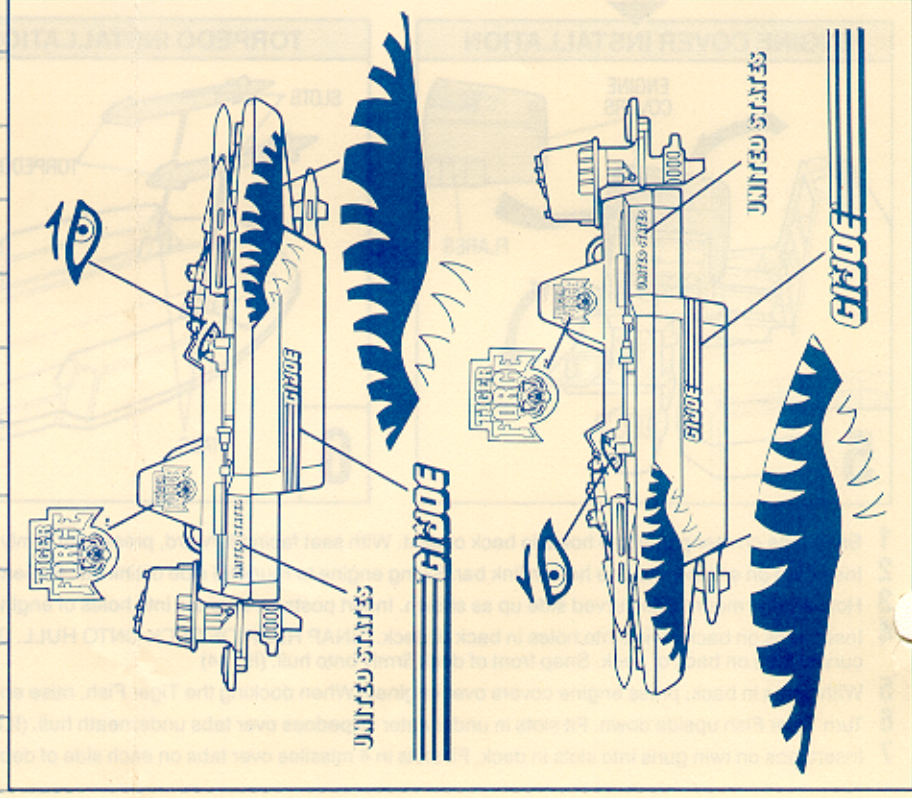
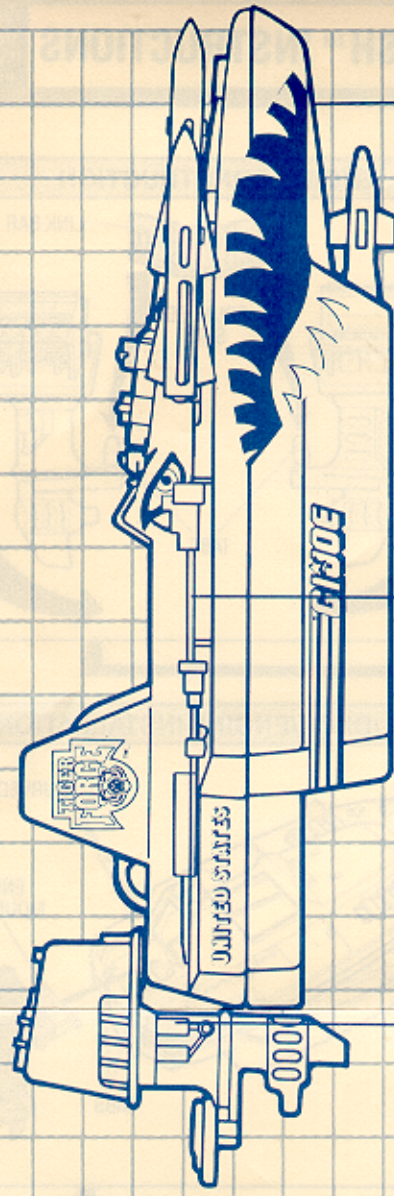
- 1 Snap tabs on rear panel into holes in back of seat. With seat facing forward, press seat firmly into hull. (ILL. 1)
- 2 Insert tab on engine into one hole in link bar. Swing engine to rounded side of link bar. Repeat with other engine. (ILL. 2)
- 3 Hold engine mount with curved side up as shown. Insert posts on engines into holes of engine mount as shown. (ILL. 3)
- 4 Insert tabs on back of hull into holes in back of deck. (SNAP REAR OF DECK ONTO HULL. DO NOT SNAP FRONT TOGETHER.) Slide engine mount bar under curved tabs on back of deck. Snap front of deck firmly onto hull. (ILL. 4)
- 5 With flares in back, press engine covers over engines. When docking the Tiger Fish, raise engines and lock into position. (ILL. 5)
- 6 Turn Tiger Fish upside down. Fit slots in underwater torpedoes over tabs underneath hull. (ILL. 6)
- 7 Insert tabs on twin guns into slots in deck. Fit slots in 4 missiles over tabs on each side of deck. (ILL. 7)

# GIBOE

A REAL AMERICAN HERO™

## TIGER FISH™

- 1) SUPER-REINFORCED DIRECTIONAL ENGINE TRIM FOIL
- 2) BALLISTIC-PROOF EPOXY/ARMOR ENGINE COVERS
- 3) INTER-COOLED TURBO 185HP "ASSAULT-T" WATER JET MOTORS
- 4) JET-SAVING AUTOMATIC KICK-UP SYSTEM
- 5) "TIGER'S EYE" INFRARED TARGET ACQUISITION SCANNER
- 6) HYDRAULICALLY-DAMPENED "SOFT SHOCK"
- 7) SEMI-ACTIVE MONOPULSE GUIDANCE SYSTEM
- 8) LASER-GUIDED MICRO-ADJUST "SEA PHOENIX" MISSILES
- 9) TWIN COAXIAL FIRING 20MM "REPEATER" CANNONS
- 10) SNAG-RESISTANT "RIVERINE" HYDROMATICALLY DESIGNED HULL



- (1)
- (2)
- (3)
- (4)
- (5)
- (6)
- (7)
- (8)
- (9)
- (10)