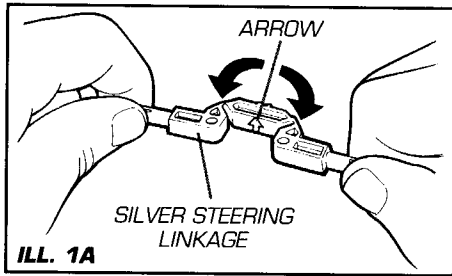
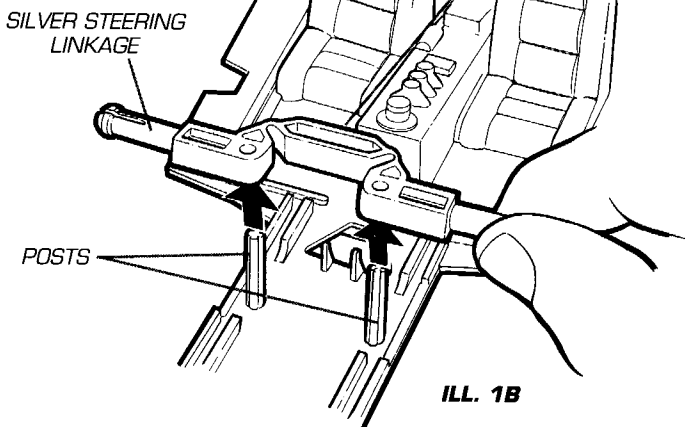


CONTAINS: Vehicle top and chassis, steering linkage, steering wheel, 4 tires, 4 wheels, 2 doors, 2 armor panels, engine halves, rotor, exhaust, roll cage, side mirror, antenna, grill, bumper, windshield, fog lights, roll bar, launcher, 4 missiles, 2 figures and label sheet.

WARNING
Contains small parts which may present a choking hazard to children under three.



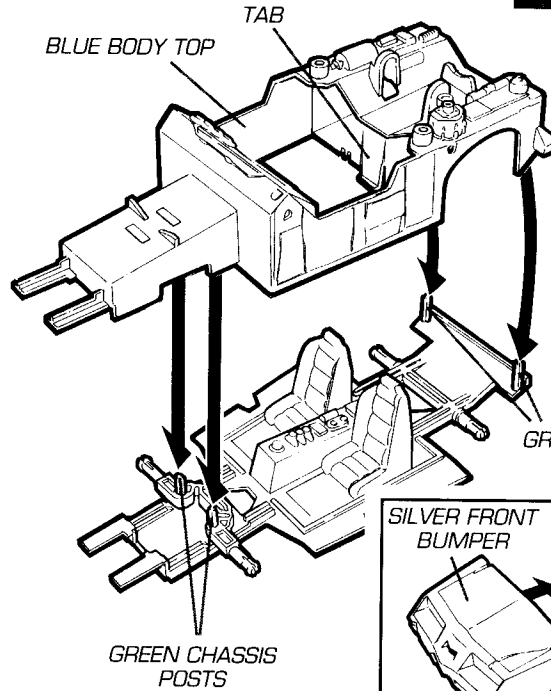
ILL. 1A



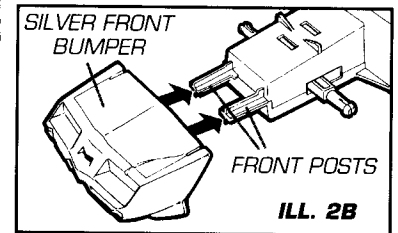
ILL. 1B

1. STEERING LINKAGE ASSEMBLY

Hold silver steering linkage with arrow facing up, then bend linkage arms forward to position shown (ILL. 1A). With ribs on linkage facing seats, slide holes over green chassis posts (ILL. 1B).



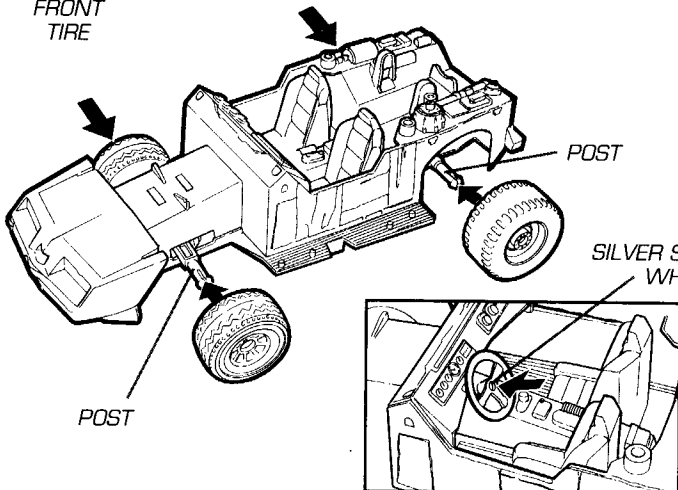
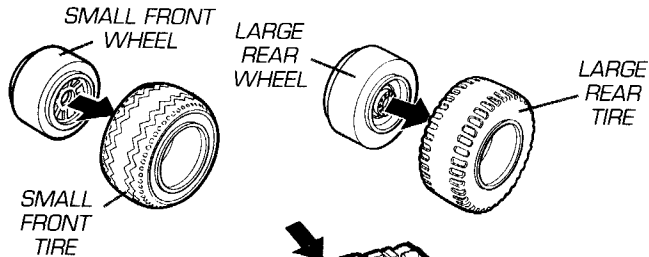
ILL. 2A



ILL. 2B

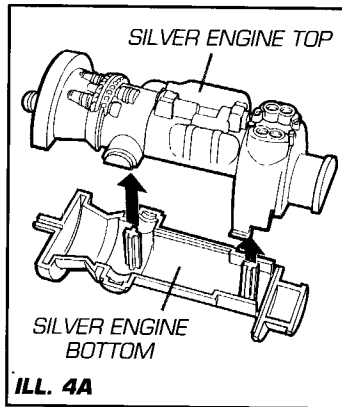
2. BODY ASSEMBLY

Slide green chassis posts (4) into holes (4) under blue body top and press together so tab in body top snaps into chassis hole (ILL. 2A). Fit silver front bumper into front posts (ILL. 2B).

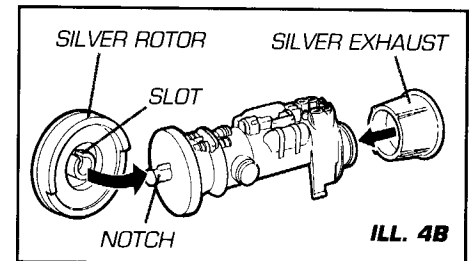


3. WHEEL ASSEMBLY

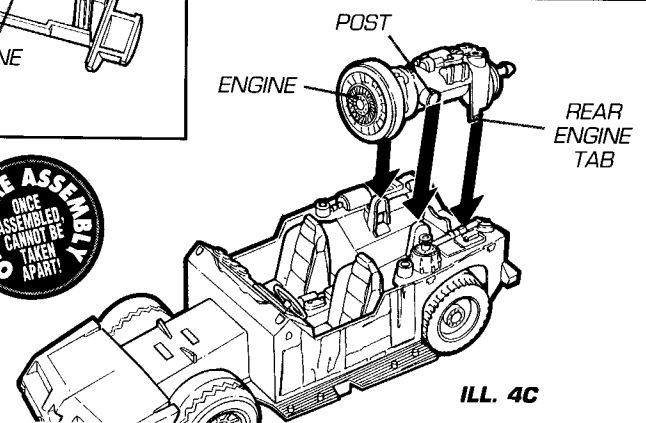
Fit small front wheels into small front tires (marked "FRONT" on the inside). Snap wheels onto steering linkage posts. Repeat with large rear wheels and large tires (marked "REAR" on the inside) and snap wheels onto rear axle posts. Insert silver steering wheel post into hole in dashboard.



ILL. 4A



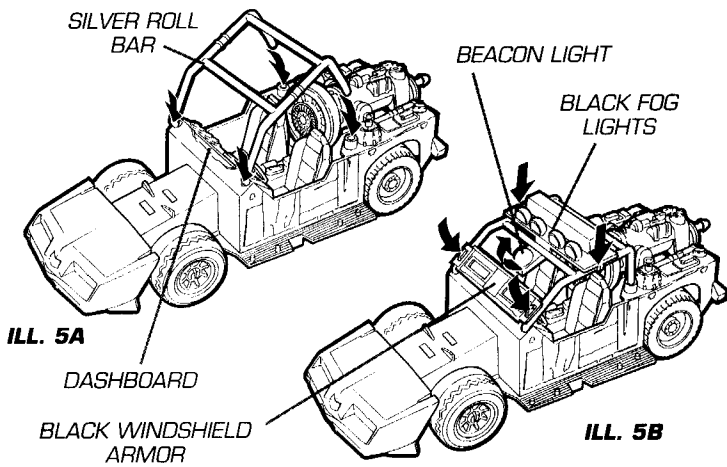
ILL. 4B



ILL. 4C

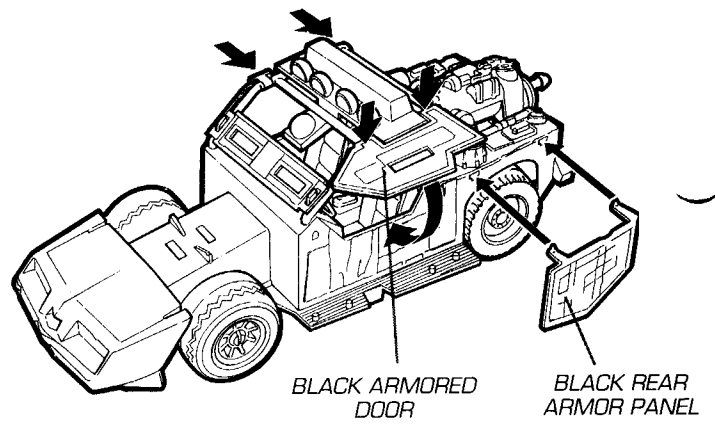
4. ENGINE ASSEMBLY

Insert posts in silver engine bottom into holes in silver engine top (ILL. 4A). Snap silver exhaust over rear of engine. Align notch on engine post with slot in silver rotor, then snap rotor onto post (ILL. 4B). Fit posts on engine into slots in rear of body, then snap rear engine tabs into rear vehicle slots as shown (ILL. 4C).



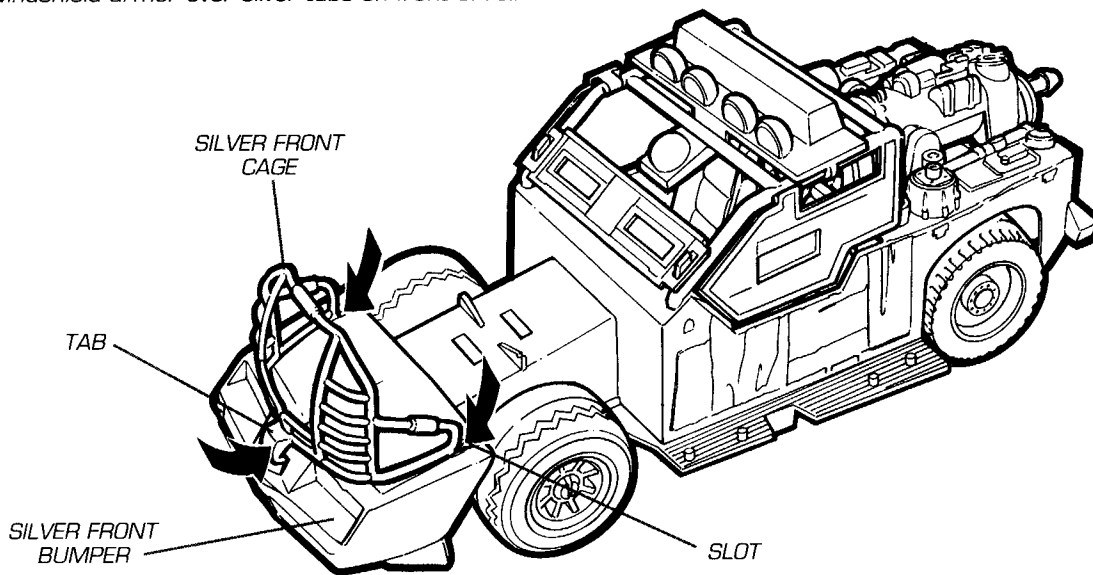
5. ROLL BAR ASSEMBLY

Insert front ends on silver roll bar into holes in top of dashboard, then insert back roll bar ends into holes in body as shown (ILL. 5A). With black fog lights facing forward, fit beacon light under front roll bar and snap sides of fog lights onto sides of roll bars. Snap slots in black windshield armor over silver tabs on front of roll bar (ILL. 5B).



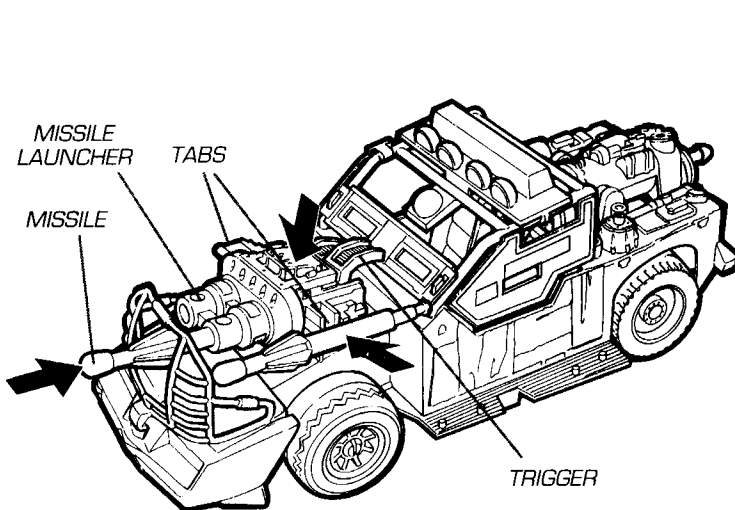
6. ARMOR ASSEMBLY

Snap left and right black armored doors onto roll bar sides as shown. Insert tabs on black rear armor panels (marked "L" and "R") into slots on corresponding sides of blue body.



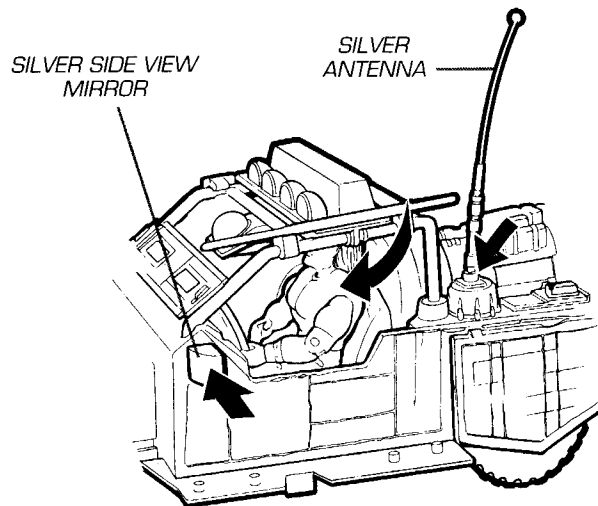
7. FRONT CAGE ASSEMBLY

Snap tab on silver front cage into hole in silver front bumper. Bend sides of front cage back and slide posts into slots as shown.



8. MISSILE LAUNCHER ASSEMBLY

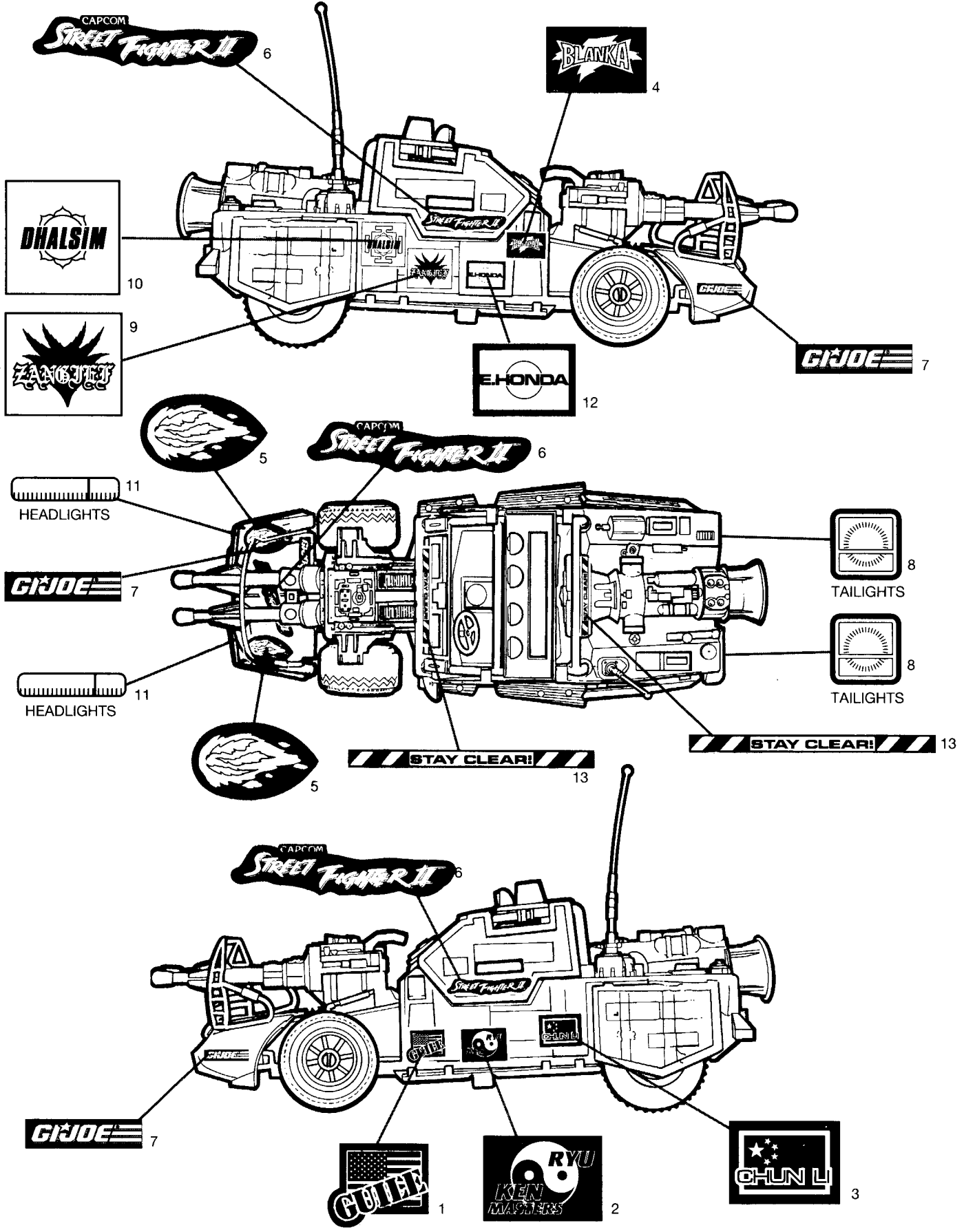
Snap missile launcher down into front slots as shown. Insert missile(s) into barrel(s) and lock in place. To fire, press trigger(s). **CAUTION: DO NOT AIM WEAPON AT EYES OR FACE.** Missiles store on launcher tabs as shown.



9. ACCESSORIES ASSEMBLY

Insert silver antenna into hole in body. Insert silver side view mirror into hole on left side of body. Swing up armored doors to insert figures into seats.

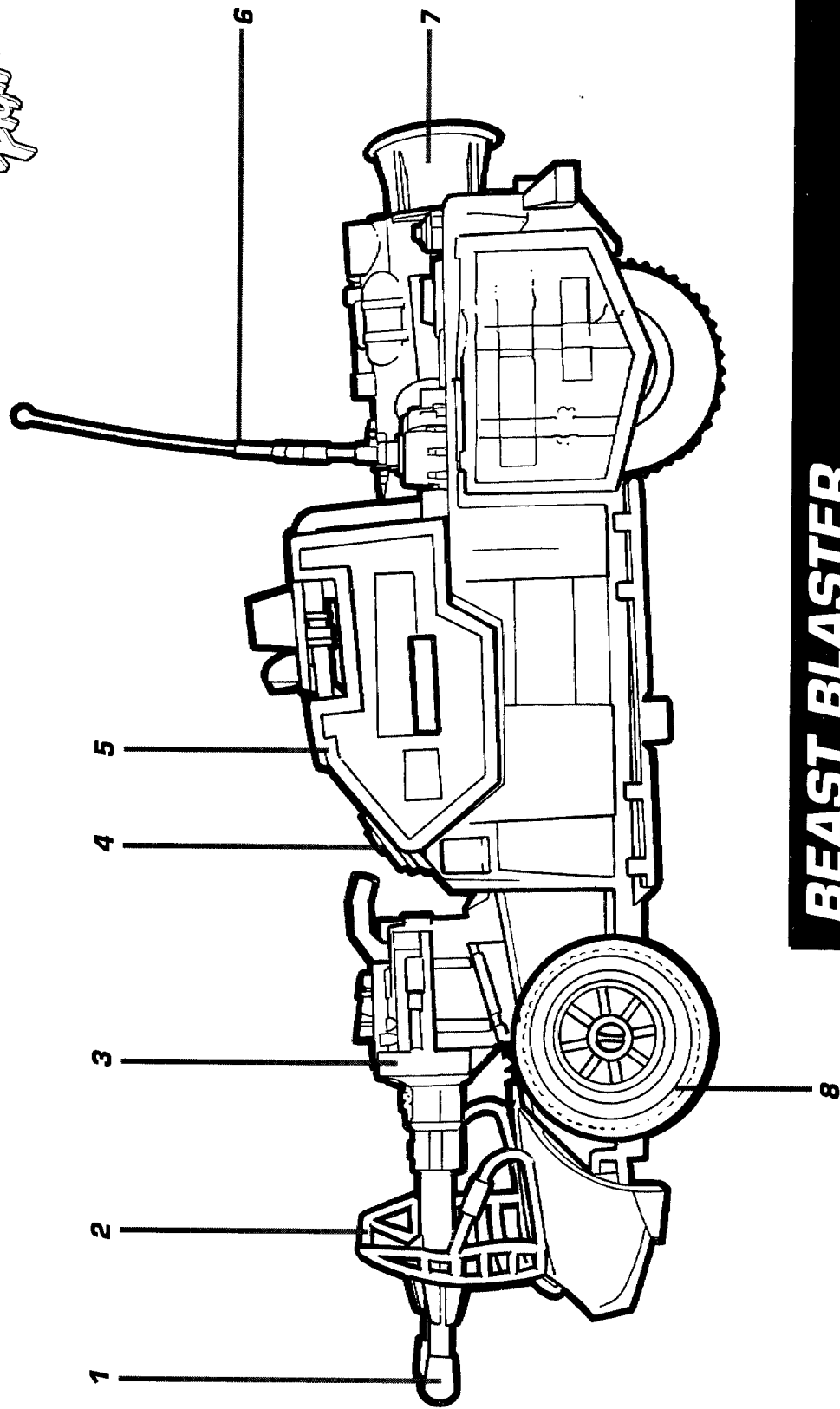
Peel and apply labels as shown.



G.I. JOE

A REAL AMERICAN HERO®

CAPCOM
STREET FIGHTER



BEAST BLASTER **OFFICIAL G.I. JOE VEHICLE SPECIFICATIONS**

1. **FOUR SF-2 SURFACE-TO-SURFACE MISSILES**
2. **PROTECTIVE FRONT BARRIER CAGE**
3. **4 DOUBLE-BARRELED "STREET SWEEP" LAUNCHER**
4. **ARMOR-PLATED COMBAT WINDSHIELD**
5. **ROLL BAR COMMAND CANOPY WITH FLIP-TOP ARMORED PANELS**
6. **CELLULAR COMMUNICATIONS ANTENNA**
7. **F-16 TURBO-THRUST JET POWERED ENGINE**
8. **4-WHEEL DRIVE ALL-TERRAIN TIRES**

TM & © 1993 Capcom Co., Ltd. All Rights Reserved.
©1993 Hasbro, Inc., Pawtucket, RI 02862 U.S.A. All Rights Reserved.
FIGURES MADE IN CHINA. VEHICLE MADE IN USA.
6687 P/N 44265200

STAY CLEAR!

STAY CLEAR!

13

13

CAPCOM
STREET FIGHTER II

CAPCOM
STREET FIGHTER II

CAPCOM
STREET FIGHTER II



©1993 Hasbro Inc. All Rights Reserved.

©1993 Capcom Co., Ltd.

6687 P/N 44265100

12



4



3

5

5

6

6

6

8

8

2

10

7

7

7

11

11