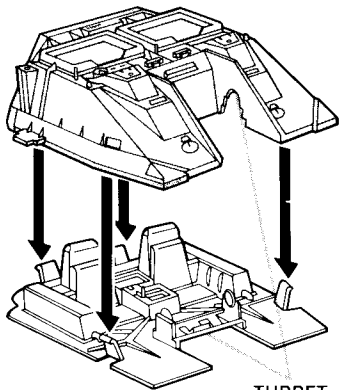


1. Snap hubcaps (8) onto wheels, then snap wheels (8) over posts on body sides. (ILL. 1)
2. With long tab facing front of vehicle, snap posts on gantry into holes in the front inside portion of the body. (ILL. 2)
3. Snap right rear fender onto tabs on right rear body. Repeat process for left fender. (ILL. 3)
4. Use 2 slide housings, the short body slide (labeled "A") and the long turret base slide (labeled "B"). Lay one slide housing on a flat surface. Insert long turret base slide into bottom slot of slide housing. Next, place short body slide into top slot of slide housing as shown. LETTERS ON BODY SLIDE AND TURRET BASE SLIDE MUST FACE UPWARD AS SHOWN. (ILL. 4A) Line up tabs on second slide housing with holes in first slide housing and snap into place. Repeat process for right housing assembly. (ILL. 4B)
5. With letter facing inside of Rolling Thunder, snap tabs on long body slide into slotted area in left body side. Repeat process for right body side. Slide should extend out, away from body. (ILL. 5)
6. Snap turret base onto short body slide. (ILL. 6)

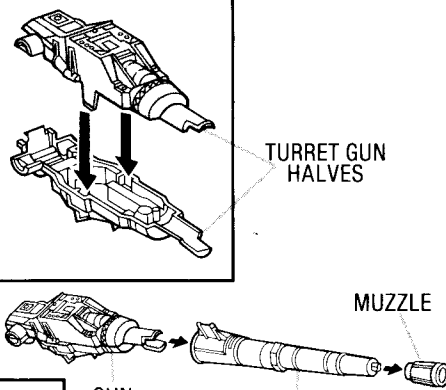
### TURRET ASSEMBLY



TURRET HALVES

7

### TURRET GUN ASSEMBLY



TURRET GUN HALVES

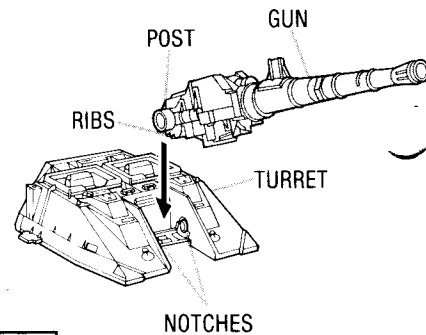
MUZZLE

GUN

CANNON

8

### GUN INSTALLATION



POST

GUN

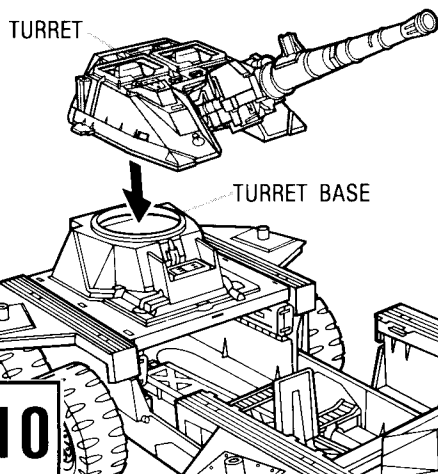
RIBS

TURRET

NOTCHES

9

### TURRET INSTALLATION

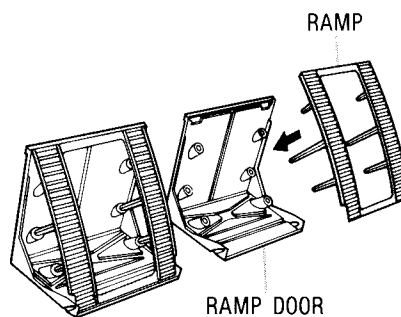


TURRET

TURRET BASE

10

### RAMP ASSEMBLY

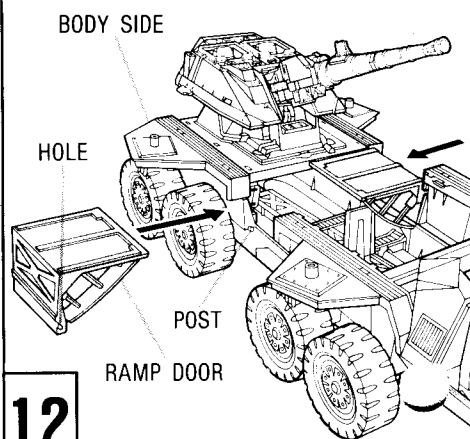


RAMP

RAMP DOOR

11

### RAMP DOOR INSTALLATION



BODY SIDE

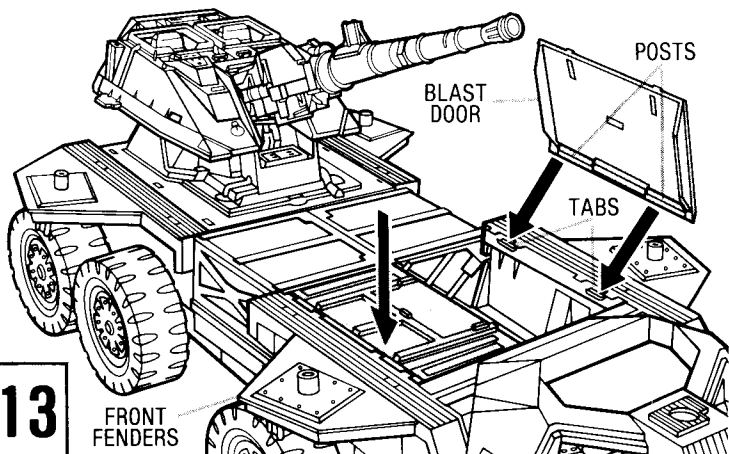
HOLE

POST

RAMP DOOR

12

### BLAST DOOR ASSEMBLY



POSTS

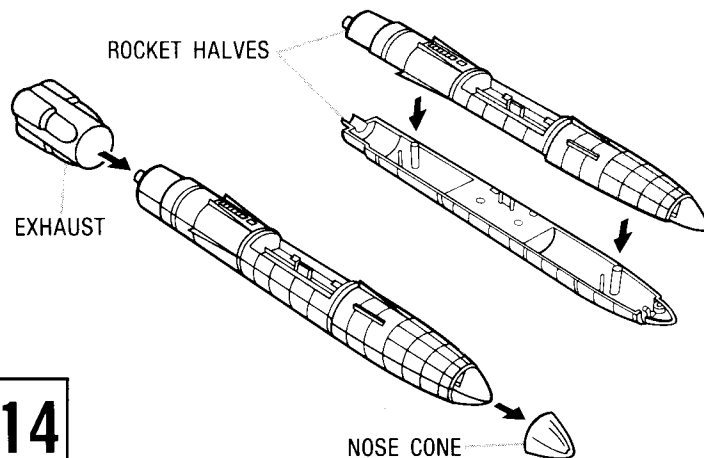
BLAST DOOR

TABS

13

FRONT FENDERS

### ROCKET ASSEMBLY



ROCKET HALVES

EXHAUST

NOSE CONE

14

7. Snap turret halves together. (ILL. 7)

8. Snap turret gun halves together. Snap cannon over front end of gun as shown. Snap muzzle onto front end of gun. (ILL. 8)

9. Place posts on rear of gun into notches on turret. Ribbed end of gun must face downward. (ILL. 9)

10. Snap turret onto turret base. (ILL. 10)

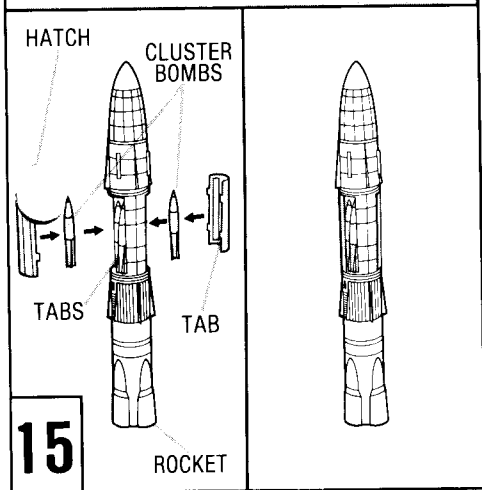
11. Fit ramp onto ramp door as shown. Repeat for other ramp. (ILL. 11)

12. Fit holes on ramp door over posts on body side. Repeat for other ramp door. (ILL. 12)

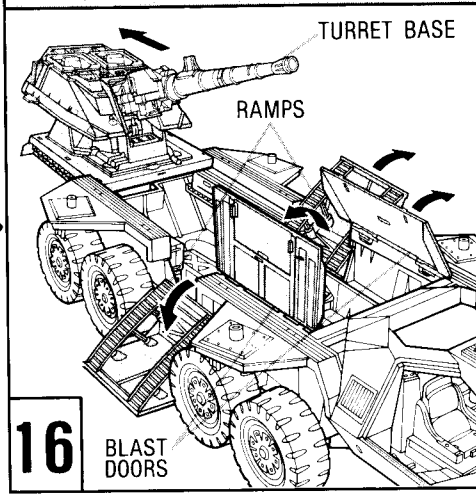
13. Snap posts on blast door between tabs on front fenders as shown. Repeat for other blast door. (ILL. 13)

14. Snap one set of rocket halves together. Snap nose cone onto rocket front end. Snap exhaust onto rocket rear. Repeat for other rocket. (ILL. 14)

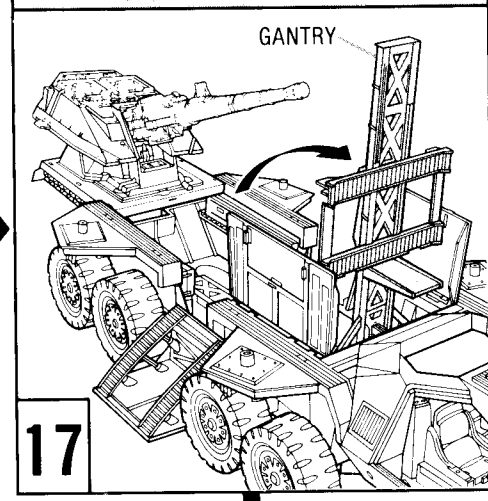
### CLUSTER BOMB INSTALLATION



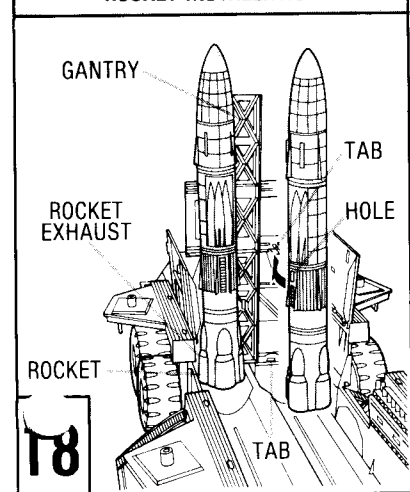
### GANTRY AREA PREPARATION



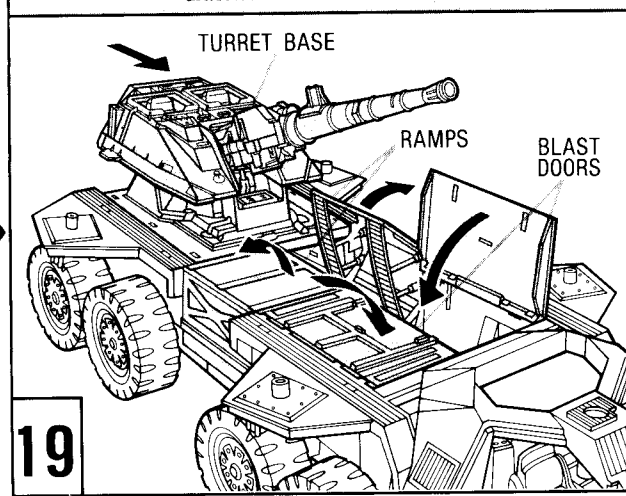
### GANTRY IMPLEMENTATION



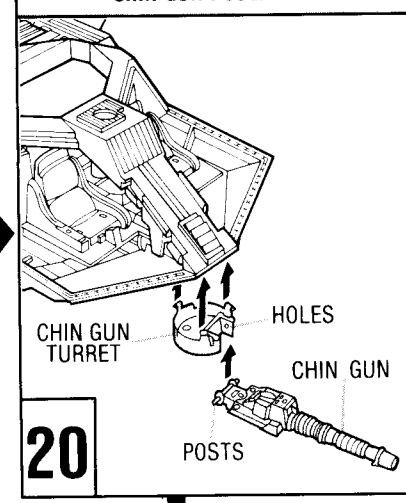
### ROCKET INSTALLATION



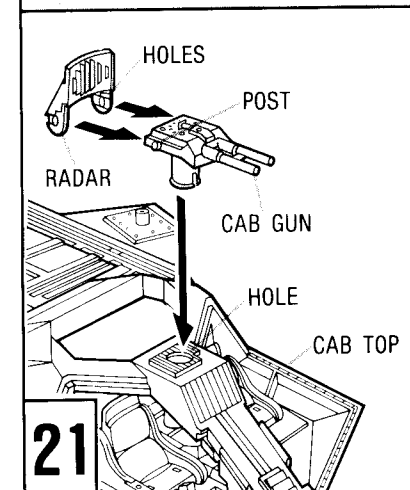
### GANTRY AREA DEACTIVATION



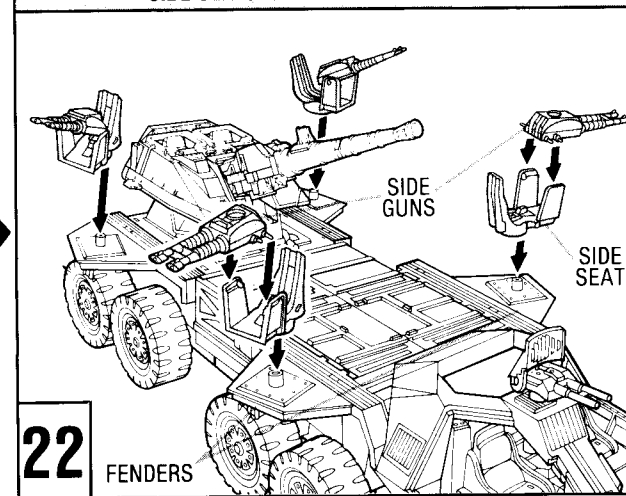
### CHIN GUN ASSEMBLY



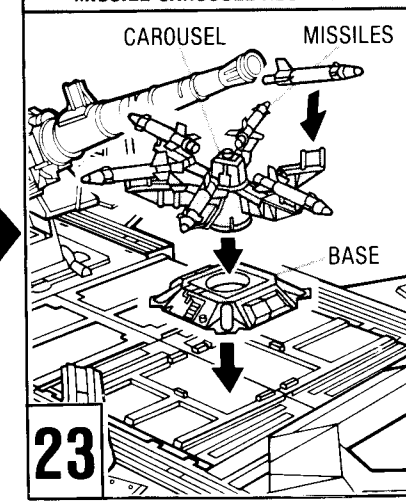
### CAB GUN/RADAR INSTALLATION



### SIDE SEATS/SIDE GUNS INSTALLATION



### MISSILE CAROUSEL ASSEMBLY



15. Fit cluster bombs (6) onto tabs on both sides of rocket. Snap bomb hatches (2) onto rocket. Repeat for other rocket. (ILL. 15)

16. If blast doors are down, lift them up. Swing down ramps and slide out turret base as shown. (ILL. 16)

17. Swing up gantry and lock into place. (ILL. 17)

18. Line up hole in rocket exhaust with tab on gantry bottom and fit holes in rockets over tabs on gantry and snap into place. (ILL. 18)

19. Swing down gantry, then close blast doors, swing up ramps and slide in turret base as shown. (ILL. 19)

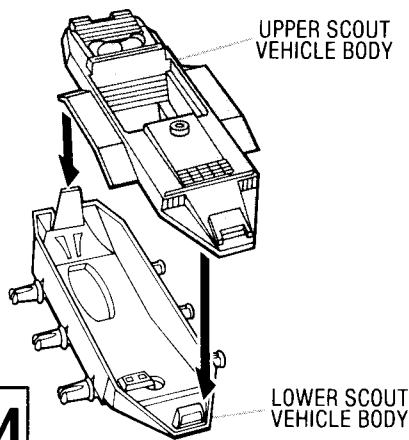
20. Snap posts on chin gun into holes in chin gun turret. Snap post on chin gun turret into hole located underneath body front end. (ILL. 20)

21. Snap cab gun into hole in cab top. Snap radar over posts on cab top gun as shown. (ILL. 21)

22. Snap side seats (4) onto fenders. Snap side guns into holes in side seats as shown. (ILL. 22)

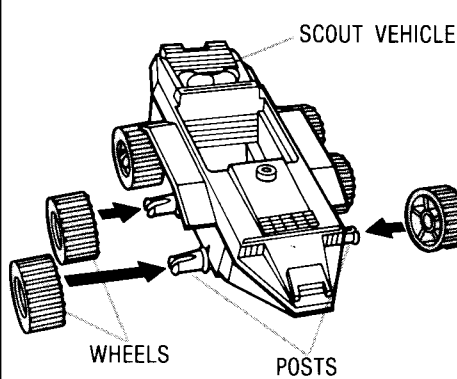
23. Snap missile carousel onto carousel base. Fit missiles onto carousel. Snap carousel base onto blast doors as shown. (ILL. 23)

### SCOUT VEHICLE ASSEMBLY



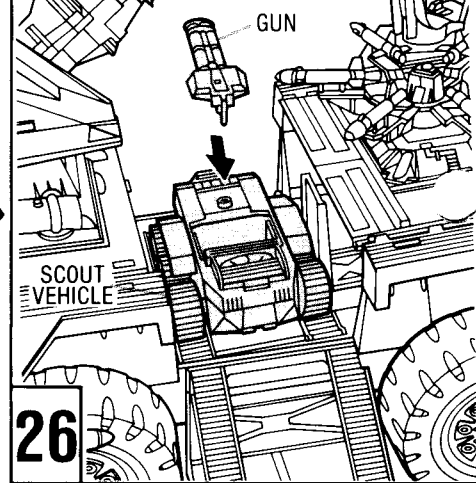
24

### SCOUT WHEEL ASSEMBLY



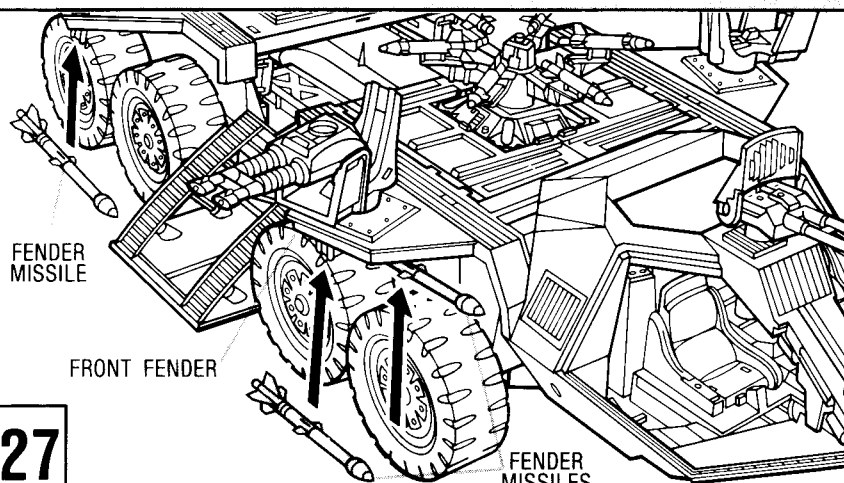
25

### GANTRY GUN INSTALLATION



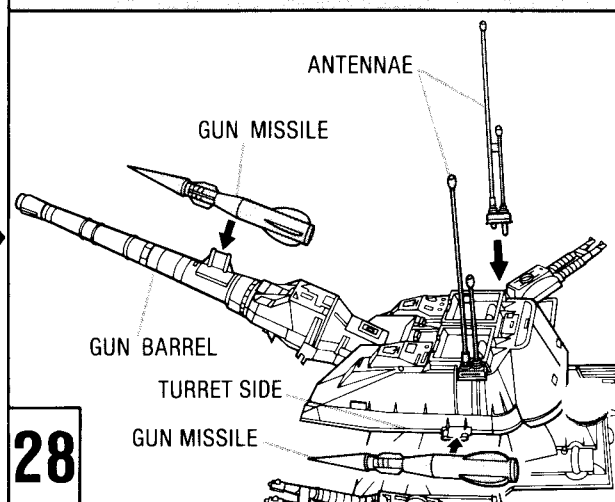
26

### FENDER MISSILE INSTALLATION



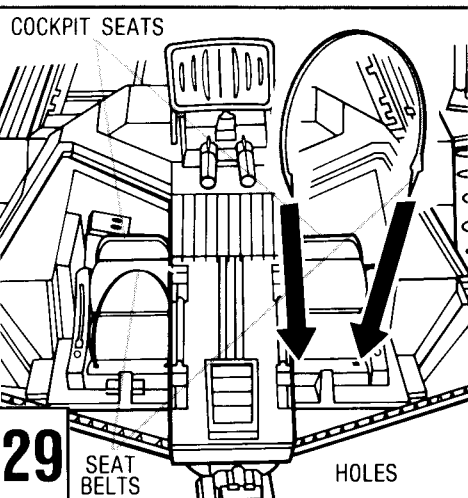
27

### GUN MISSILE/ANTENNAE INSTALLATION



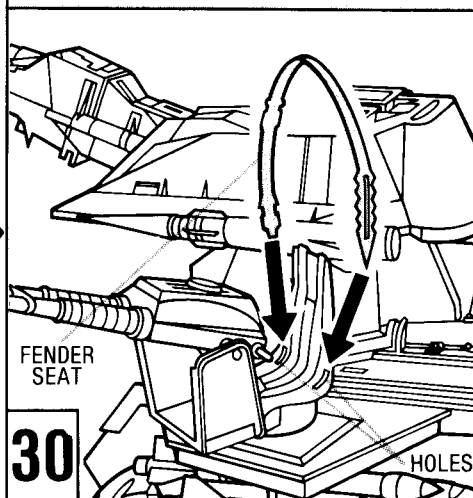
28

### SEAT BELT INSTALLATION



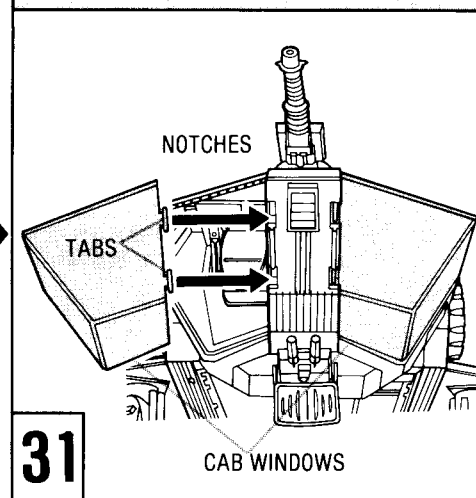
29

### FENDER BELT INSTALLATION



30

### CAB WINDOW ASSEMBLY



31

24. Snap upper scout vehicle body onto lower scout vehicle body. (ILL. 24)

25. Snap wheels (6) onto posts onto scout vehicle. (ILL. 25)

26. Snap gun into body top. Pull down ramp doors and place scout vehicle on gantry as shown. (ILL. 26)

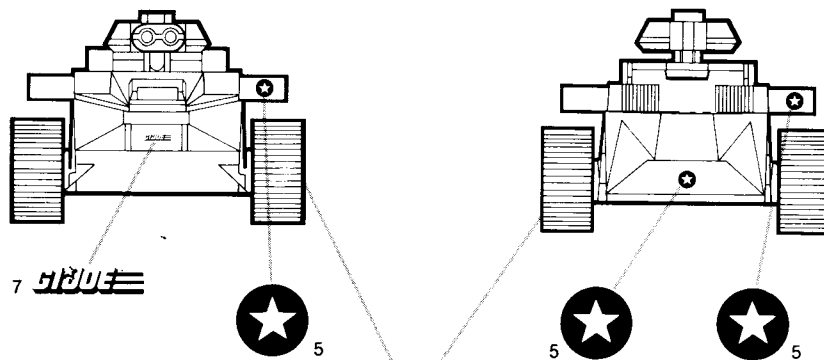
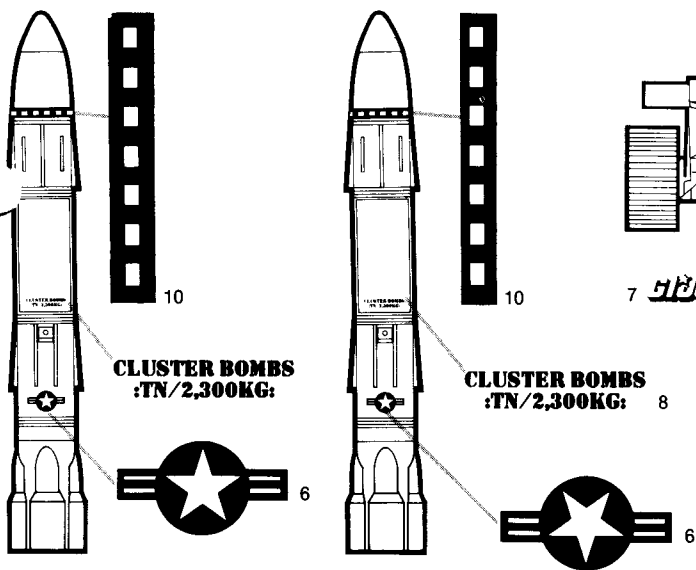
27. Place 2 fender missiles under each front fender. Fit 1 missile under each rear fender as shown.

28. Fit gun missile onto gun barrel, then fit 2 other gun missiles onto turret sides. Fit antennae into holes in turret top. (ILL. 28)

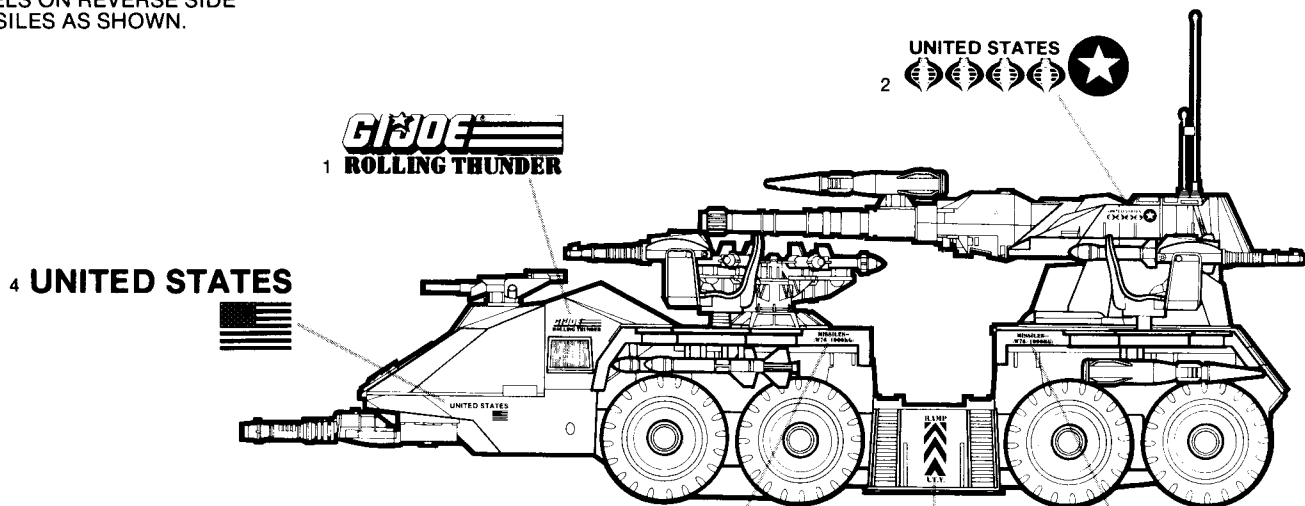
29. Snap ends of seat belts (2) into holes in cockpit seats. (ILL. 29)

30. Snap seat belts (4) into fender seats. (ILL. 30)

31. Fit tabs on right cab window into notches in right side of cab. Repeat for left cab window. (ILL. 31)

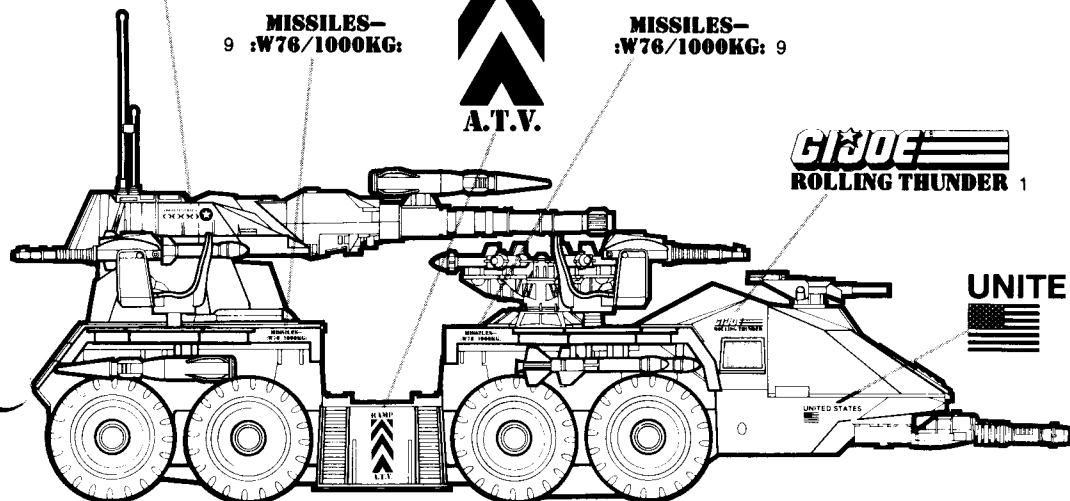


NOTE:  
PLACE LABELS ON REVERSE SIDE  
OF MISSILES AS SHOWN.



MISSILES - :W76/1000KG: 9

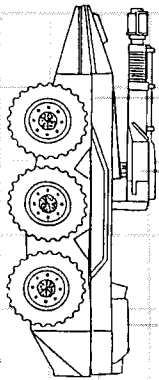
MISSILES - :W76/1000KG: 9



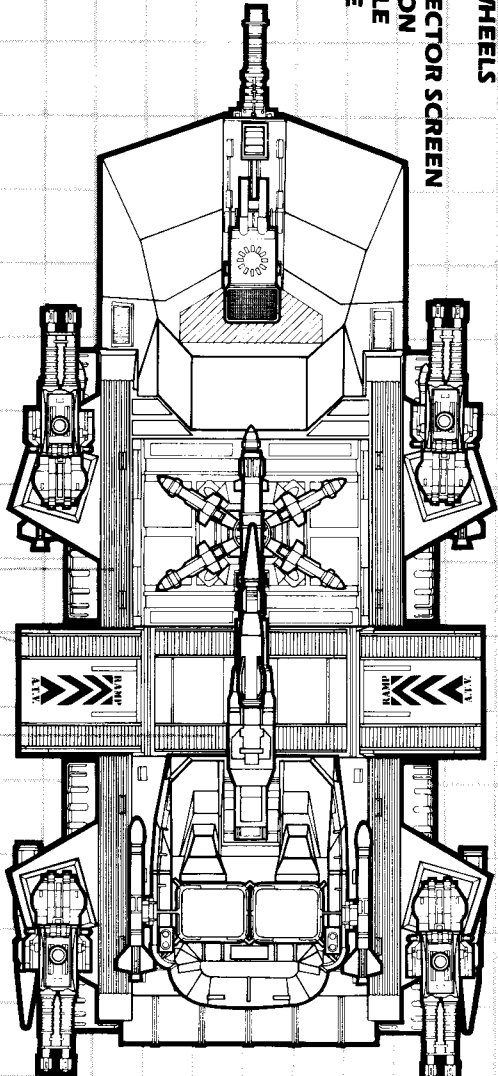
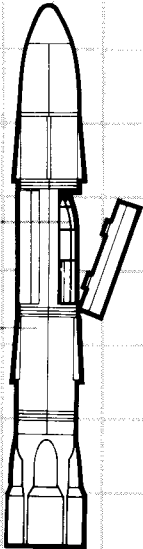
Peel and apply labels as shown.

**ROLLING THUNDER™**

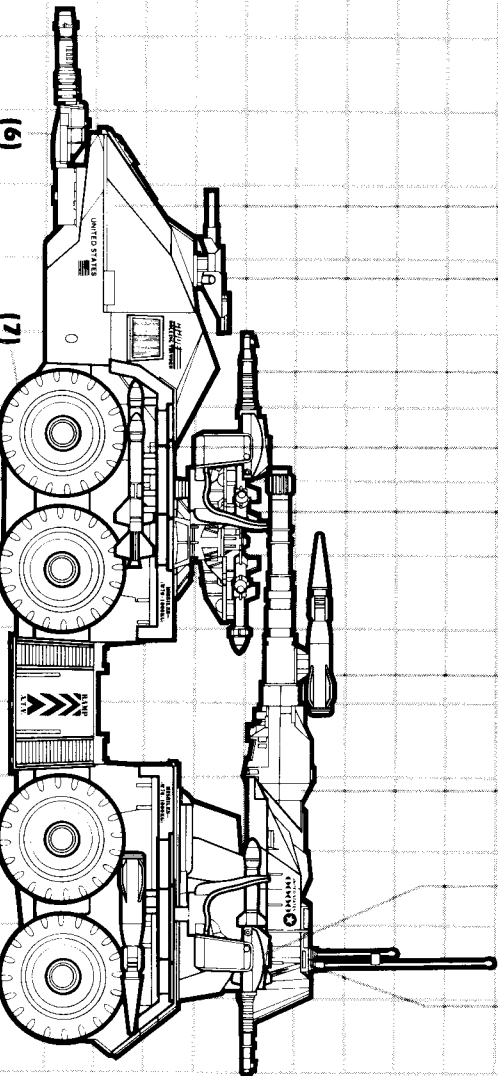
- 1) DEPLOYABLE SIX-WHEELED ATSV (ALL TERRAIN SCOUT VEHICLE)
- 2) "PUNCH IT" SYNCHRONIZED DUAL BARREL .50 CALIBER MACHINE GUNS
- 3) REAR-MOUNTED SUPERCHARGED 250 BHP IN-LINE FOUR ENGINE
- 4) SIX ROLL-OUT "FIREFLY" FREE-FALL CLUSTER BOMBS
- 5) "DOUBLE TEAM" SOLID PROPELLANT QUAD THRUSTER ROCKETS
- 6) "HOT POINT" CHIN-MOUNTED HORIZONTALLY PIVOTING LOW LEVEL LASER CANNON
- 7) EIGHT "ROLL OVER" LAND MINE-PROOF EXTRA HEAVY DUTY TIRES/WHEELS
- 8) FIVE MAN DRIVER/NAVIGATIONS AND FIRE CONTROL COCKPIT
- 9) DUAL BARREL .50 CALIBER MACHINE GUN WITH POSITIONABLE DEFLECTOR SCREEN
- 10) FULL ROTATIONAL FORWARD MOUNTED SINGLE SEAT LASER CANNON
- 11) "SUPER SIDEWINDER" SURFACE-TO-SURFACE TANK DESTROYER MISSILE
- 12) "TURNTABLE" MAGNETIC ARRAY RADAR/MULTI-MISSILE AIR DEFENSE
- 13) LARGE "ROLLING FLAT TOP" BATTLE PLATFORM
- 14) ATSV FLIP-OUT DISCHARGE RAMP
- 15) OPTICALLY-AIMED "RIGHT ON" SURFACE-TO-AIR MISSILES
- 16) ATSV SERVICE/STORAGE COMPARTMENT
- 17) TURRET MOUNTED SHORT-BARREL 90 MM "SHORT THROW" CANNON
- 18) ARMOR-PIERCING PIN-POINT LASER CANNON
- 19) MULTI-SENSOR COMMUNICATIONS/DATA-BASE ANTENNAS



(1) (2) (3) (4) (5)



(8) (9) (10) (11) (12) (13) (14) (15) (16) (17) (18) (19)



(6) (7)