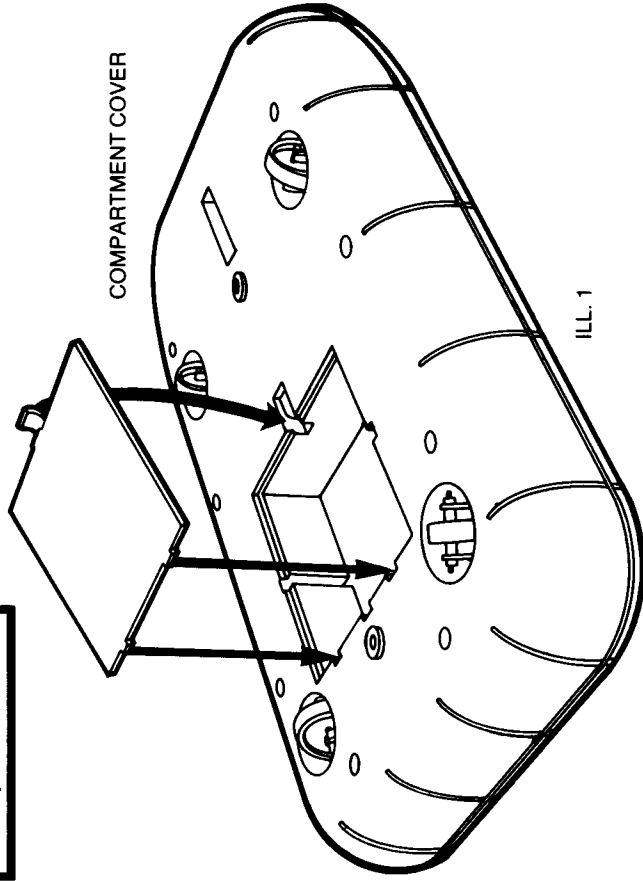
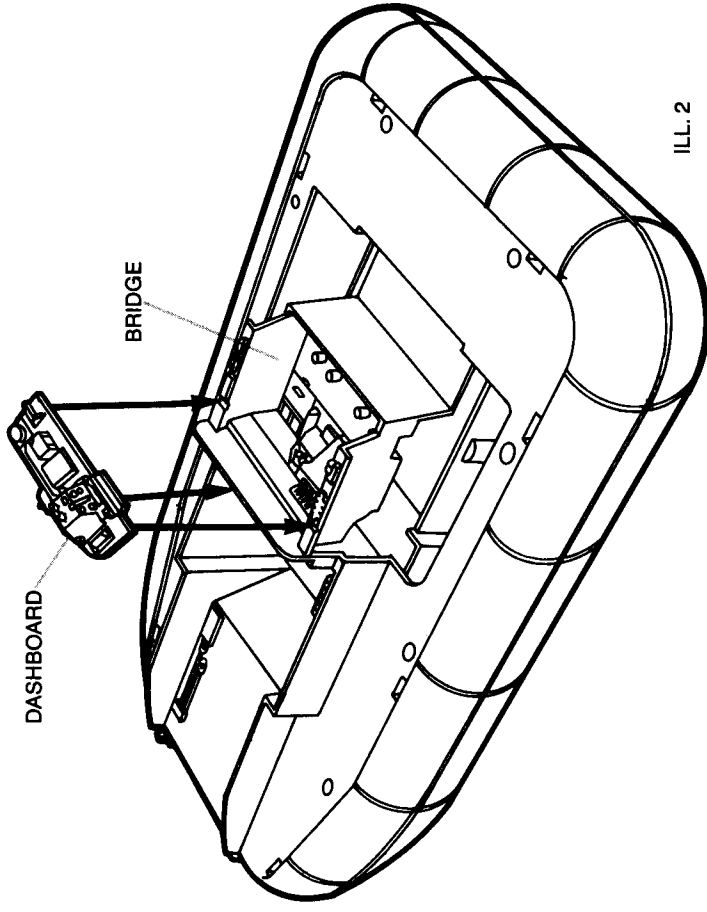


NIGHT STRIKER™ INSTRUCTIONS

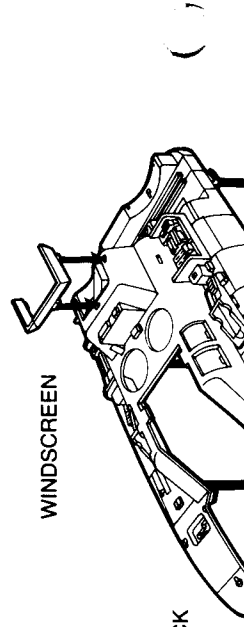
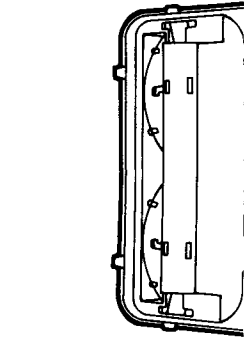
Remove all pieces from plastic frames. If you have difficulty, use safety scissors.

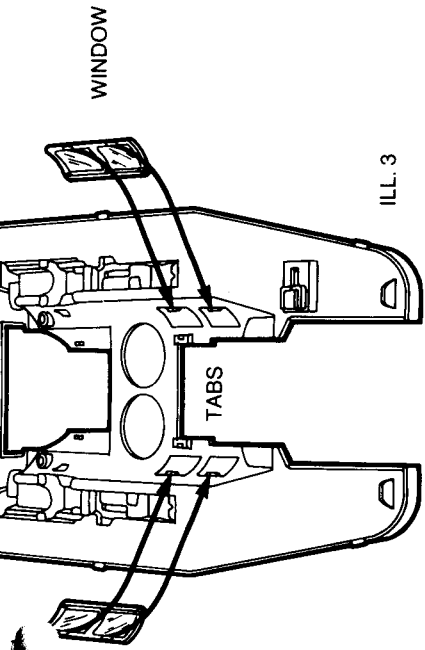


- 1 Insert tabs on compartment cover into slots underneath Night Striker. Snap into place. (ILL. 1)



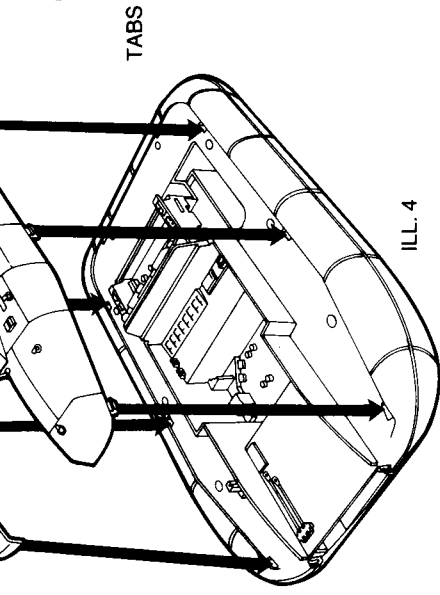
- 2 Place dashboard into place on bridge. (ILL. 2)





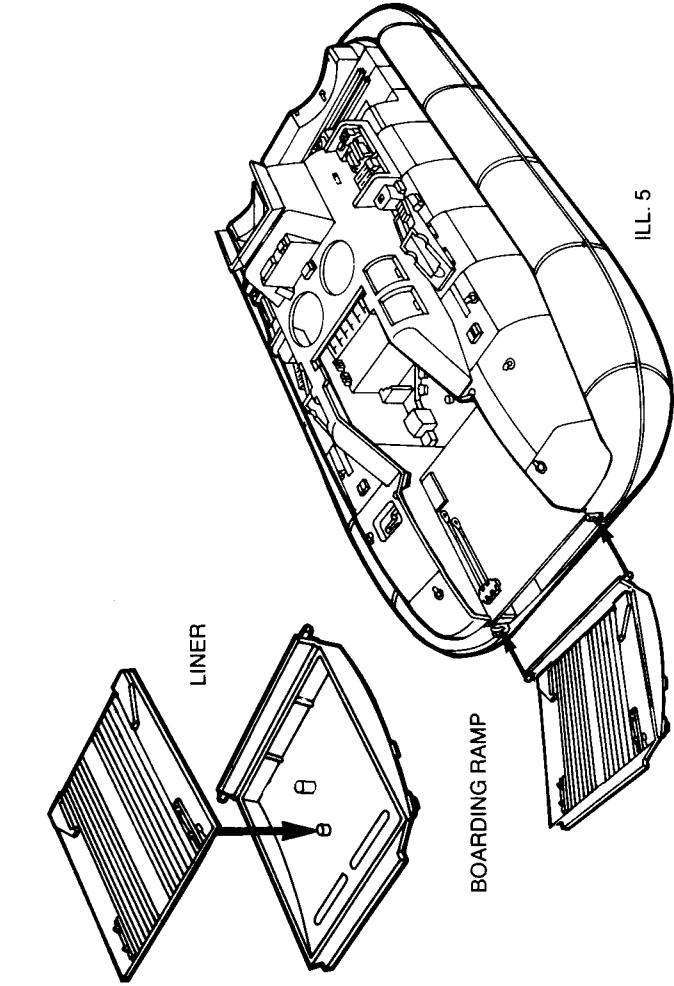
ILL. 3

3 On the deck, snap windows over tabs on window frame. Repeat with other window. (ILL. 3)



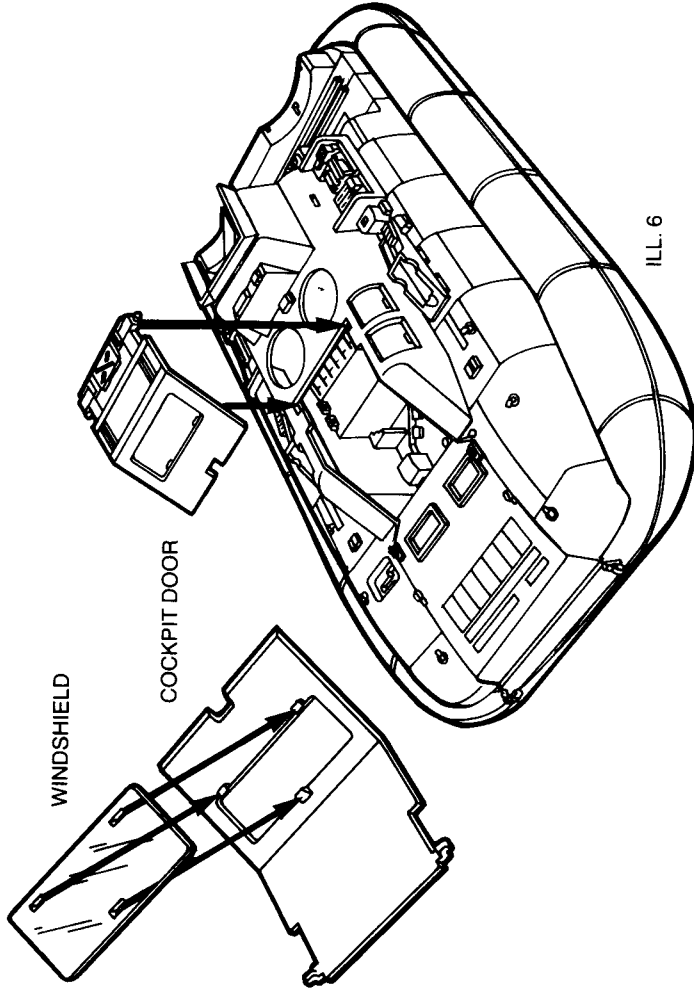
ILL. 4

4 Attach tabs on deck into slots on body assembly. Snap into place. Insert tabs on windshield into slots and snap onto top of bridge. (ILL. 4)



ILL. 5

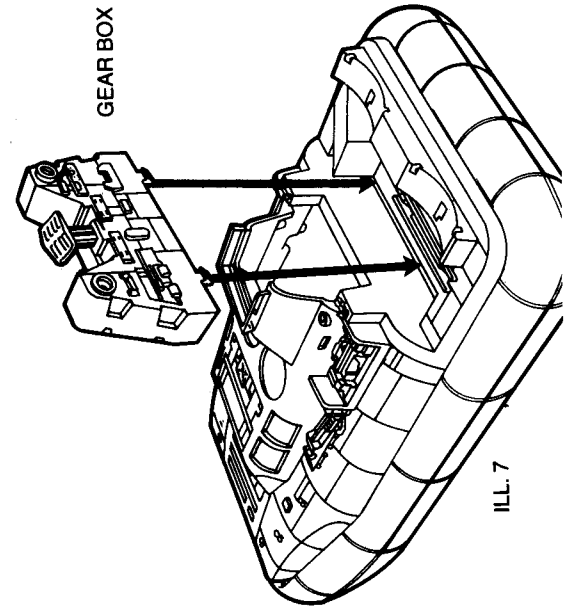
5 Line up post on boarding ramp with hole on liner and press into place. Line up posts on ramp with holes in front of deck and snap in place. (ILL. 5)



ILL. 6

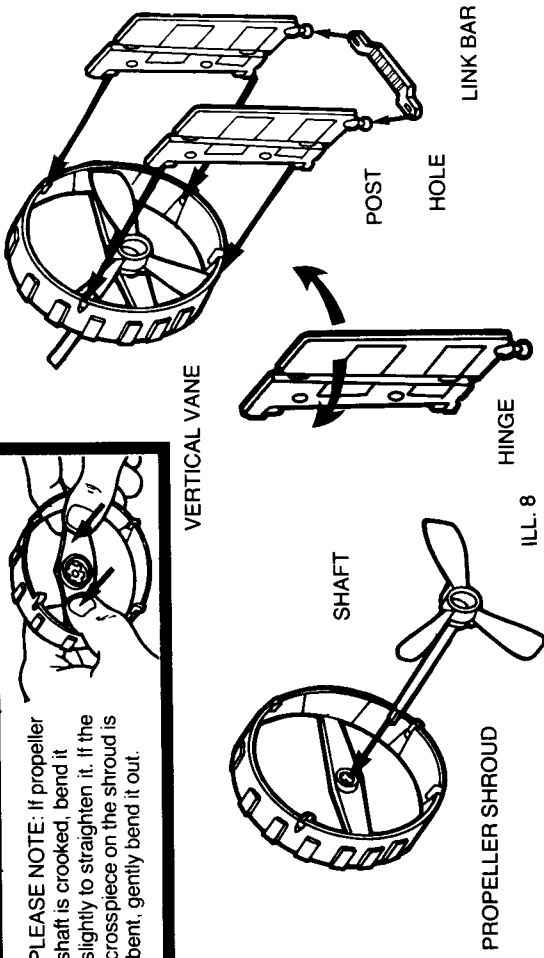
6 Insert windshield over tabs on cockpit door and snap into place. Snap posts on cockpit door into slots in cockpit. (ILL. 6)

PLEASE NOTE: If propeller shaft is crooked, bend it slightly to straighten it. If the crosspiece on the shroud is bent, gently bend it out.



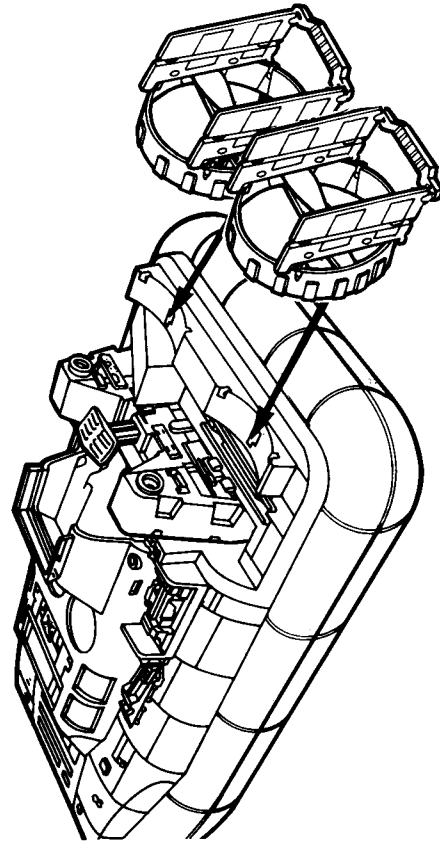
ILL. 7

7 Line up gear box as shown with holes for the props facing rear, snap gear box into rear of deck. (ILL. 7)



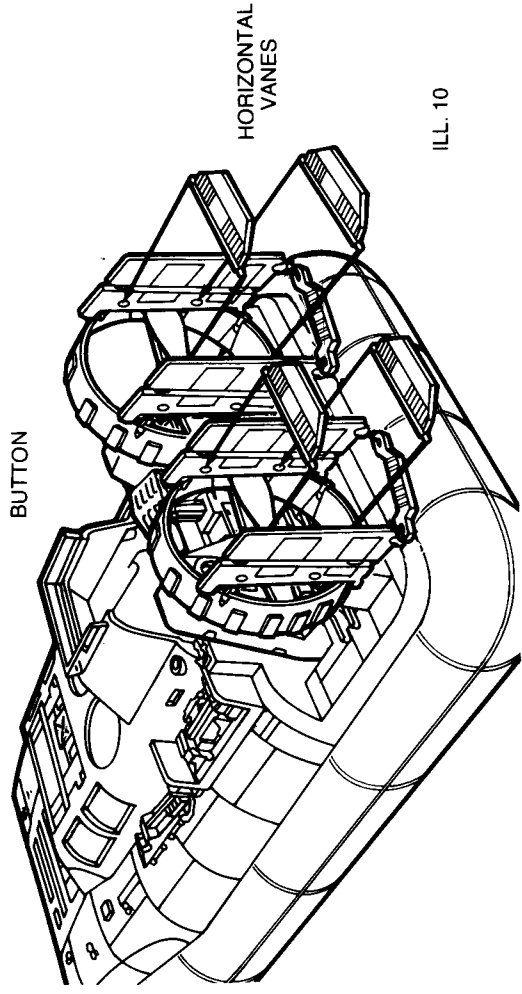
ILL. 8

8 Insert propeller shaft through hole in propeller shroud. Bend hinge of vertical vanes back and forth four times to loosen. Insert post on bottom of vertical vane to propeller shroud. Attach top of vane in same manner. Repeat other vane. Place post on bottom of vertical vane into hole in link bar. (ILL.8) Repeat with other shroud.



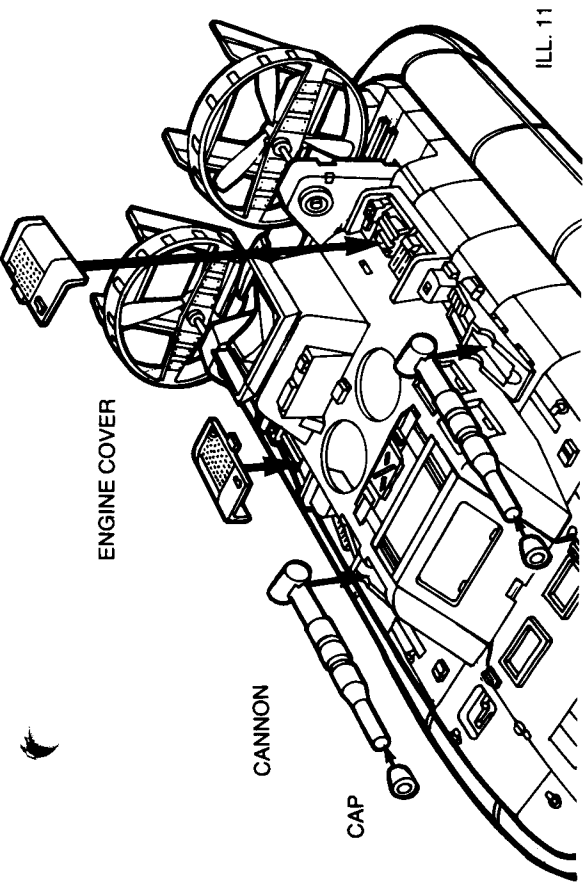
ILL. 9

9 Slide notched outside of propeller shroud into slot in deck. Push shroud forward into place. Push and rotate shaft into gear box until it fits in proper position. Repeat with other propeller shaft. (ILL. 9)



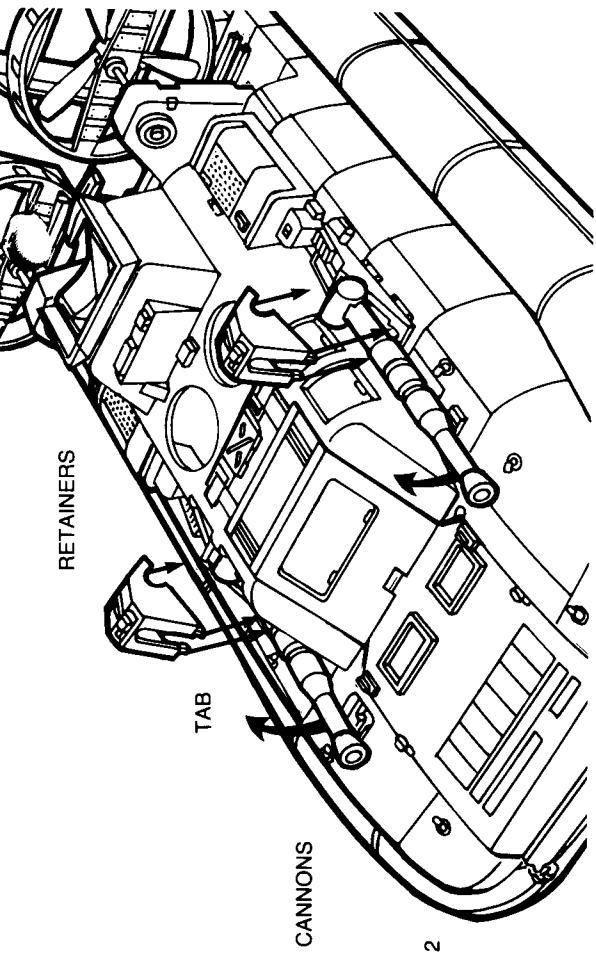
ILL. 10

10 Insert posts on horizontal vanes into holes of vertical vanes. To spin propellers, push down on button. (ILL. 10)



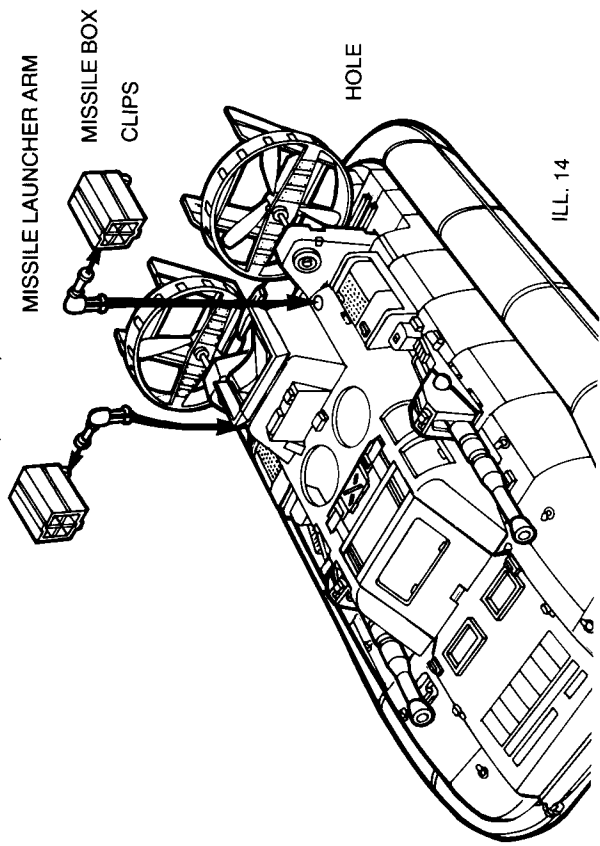
ILL. 11

11 Place engine covers over engines. Fit a cap over front of each cannon. Set each cannon into mount on top of deck. (ILL. 11)



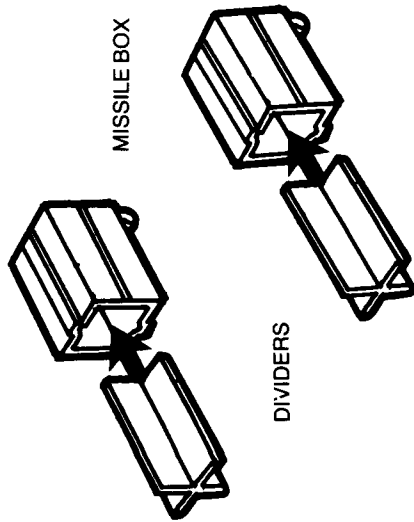
ILL. 12

12 To attach retainers, position front tabs under ridge and snap back tabs into place. Raise cannons for battle action. (ILL. 12)



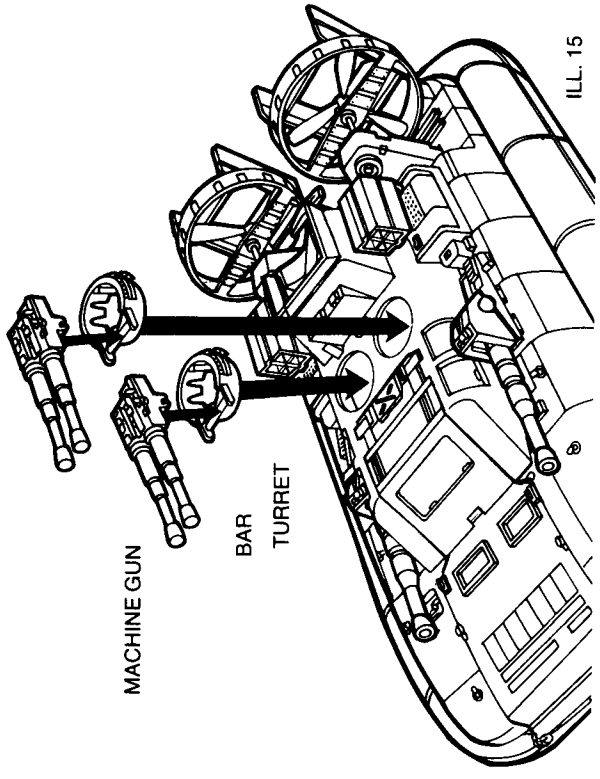
ILL. 14

14 Place missile launcher arm into hole in deck and snap into place. Repeat with other arm. Attach clips on bottom of missile boxes to launcher arms. (ILL. 14)



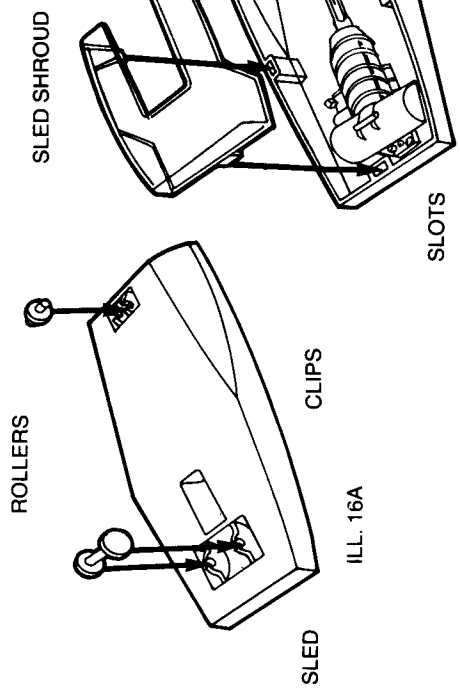
ILL. 13

13 Line up tab of missile launcher dividers with slot in back of missile box. Snap dividers into place. Repeat with other missile box. (ILL. 13)



ILL. 15

15 Snap clips on machine gun over bar on turret. Repeat with other gun. Insert each turret into place on deck of Night Striker. (ILL. 15)



ILL. 16A

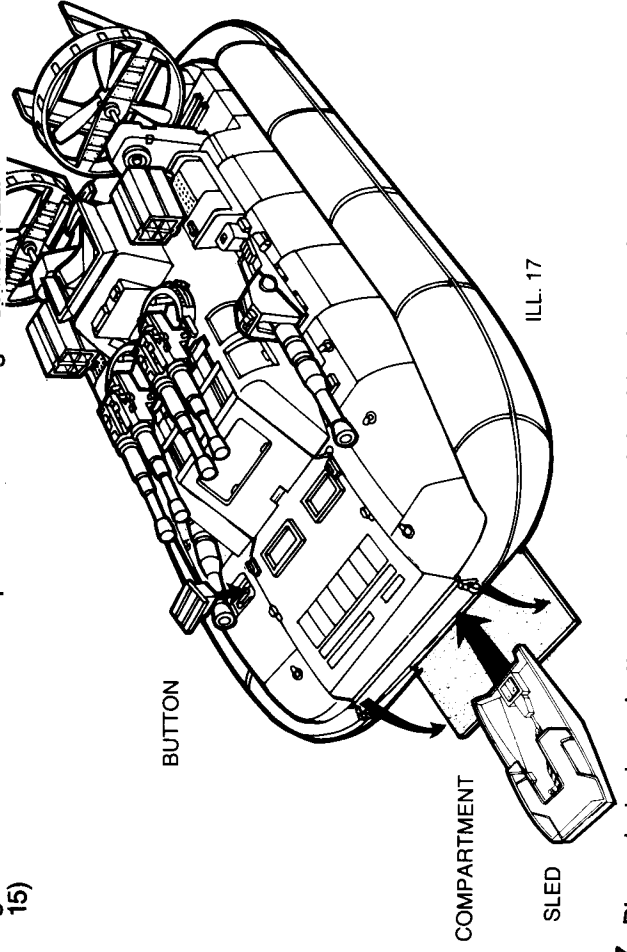
SLED SHROUD

TABS

SLOTS

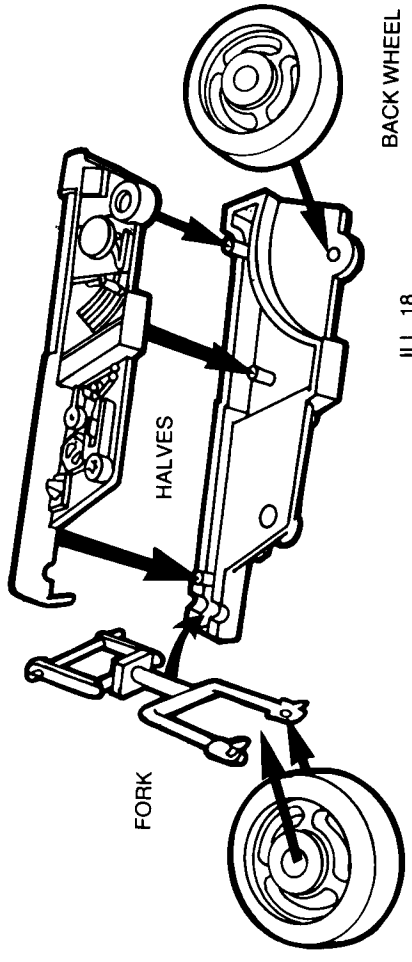
ILL. 16B

16 Snap each axle on sled rollers into clips on bottom of sled. (ILL. 16A) Insert tabs on sled shroud into slots in sled. (ILL. 16B)



ILL. 17

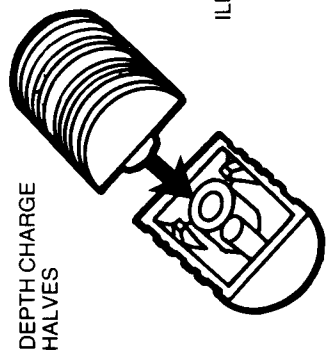
17 Place sled release button over post on right side of deck. Open lower compartment door in front of Night Striker. Insert sled into compartment.



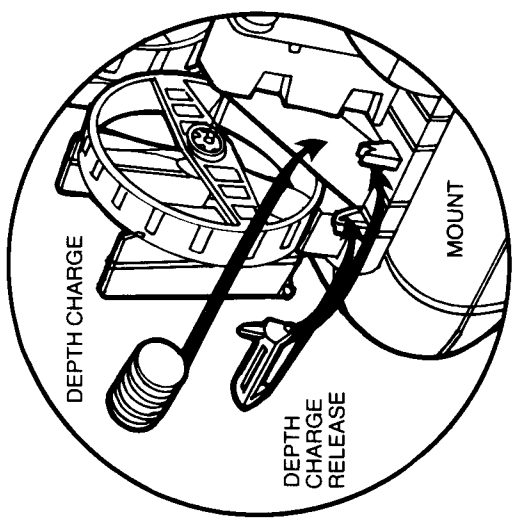
ILL. 18

18 Assemble cycle, snap front wheel between fork. Place back wheel between halves of cycle as shown. Press halves together. (ILL. 18)

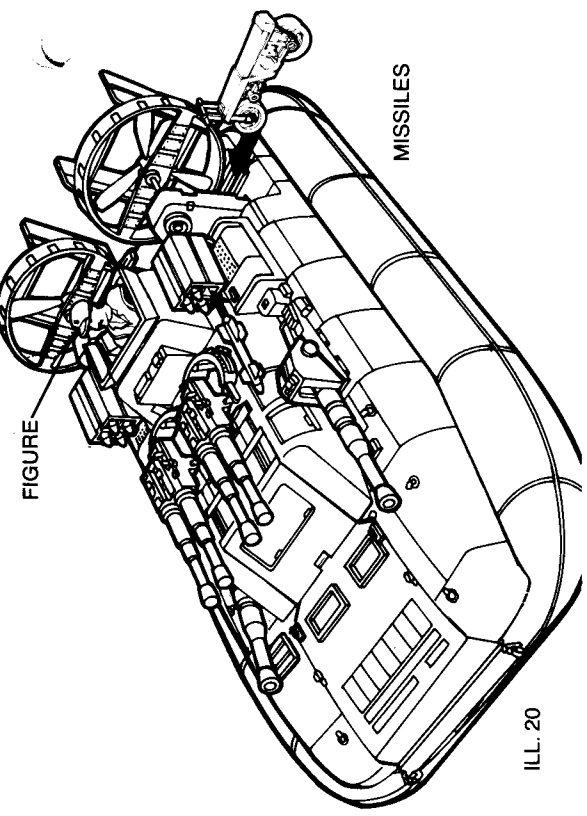
push down on the top of the figure. (ILL. 17)



ILL. 19



FIGURE

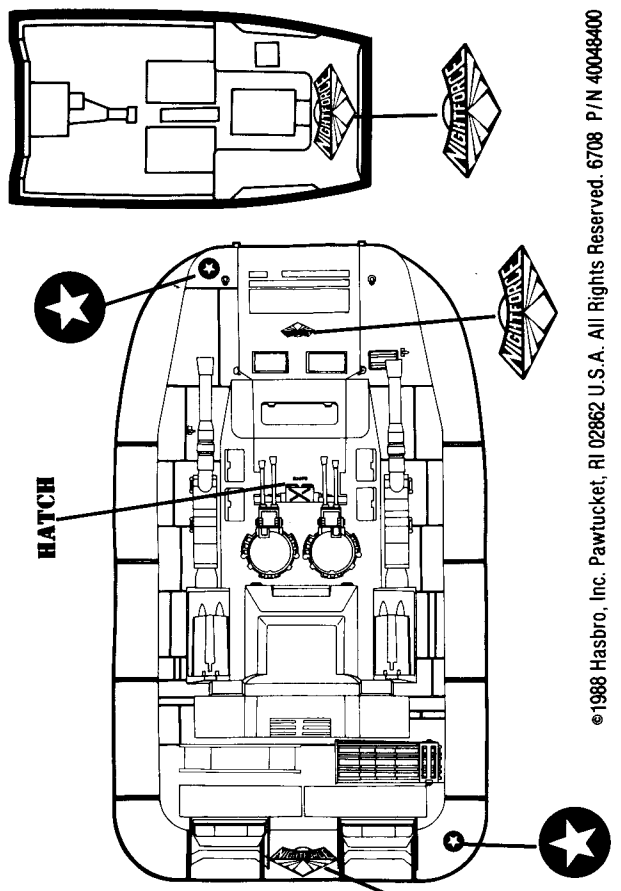
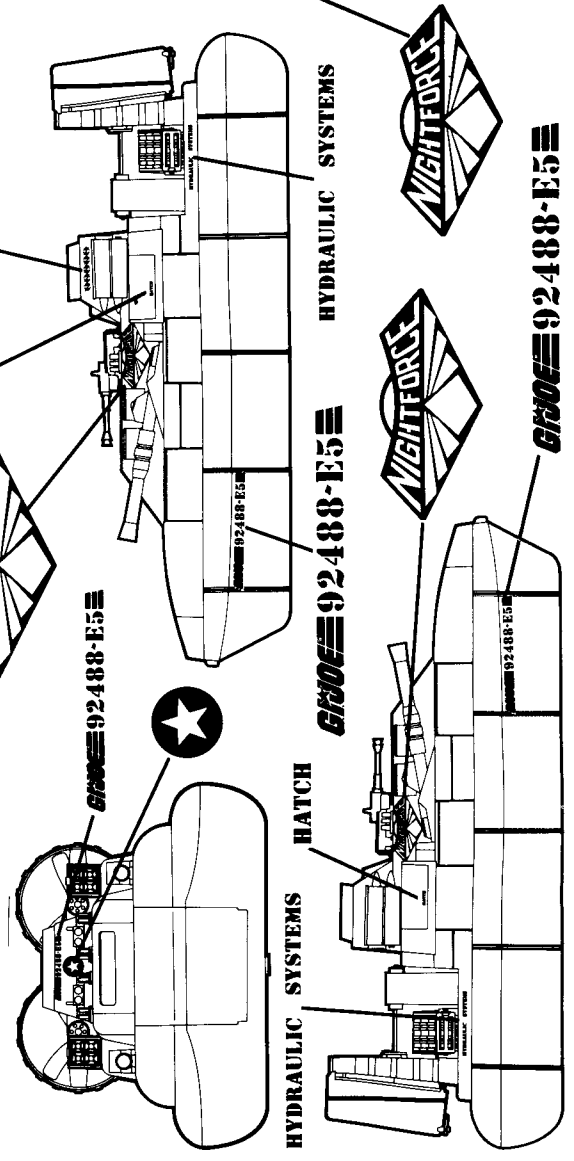


ILL. 20

20 Insert G.I. Joe, figure (sold separately) into bridge turrets, cycle or sled. Insert wheels of cycle into place on deck. Insert missiles into missile boxes. (ILL. 20)

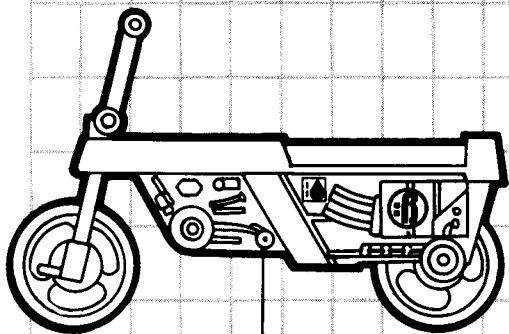
19 Press halves of depth charges together to form six depth charges. Squeeze posts on depth charge release into holes in mount on deck. Place depth charges onto slide ready for action! (ILL. 19)

21 Peel and apply labels as shown.

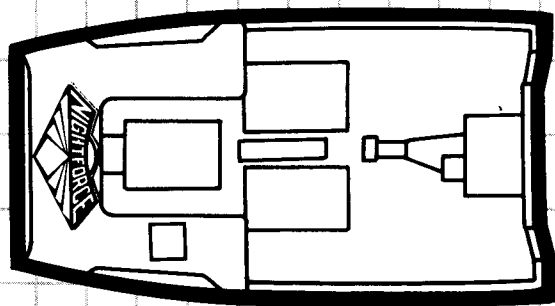


NIGHT STRIKER™

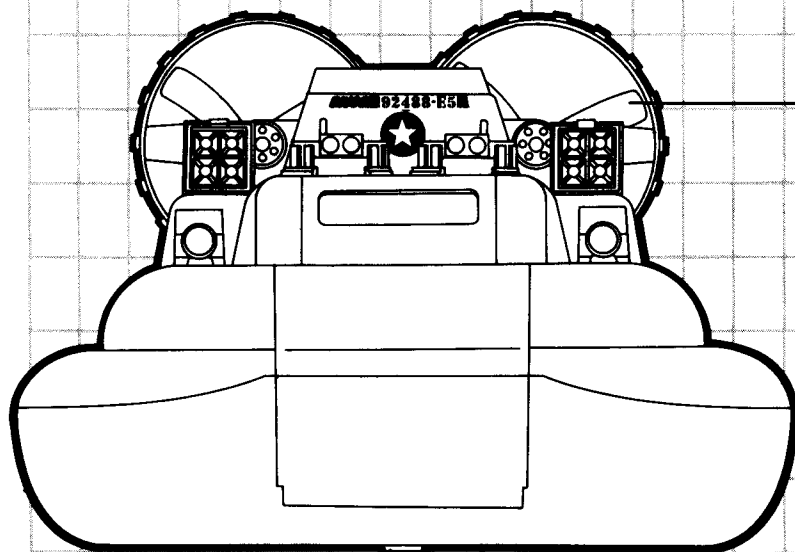
- 1) PUNCTURE RESISTANT STEEL MESH/NYLON COMPOSITE CUSHION
- 2) NYLON MICROMESH/TITANIUM ALLOY ARMORED SKIN PLATES
- 3) CANNON ELEVATOR MECHANISM HOUSINGS
- 4) MULTI-LAUNCH RAMPED SD-30 DEPTH CHARGE RACK
- 5) HORIZONTAL PITCH CONTROL DIRECTIONAL VANES
- 6) HIGH-SPEED COUNTER-ROTATING PROPELLERS
- 7) "FLIP OUT" PERSONNEL ACCESS ATTACK/LOAD RAMP
- 8) 105MM SHORT-THROW "POUNDER" PORT AND STARBOARD CANNONS
- 9) HYDRAULICALLY-POWERED CABIN DOOR
- 10) LATERAL ENERGY DEFLECTION SUPER-DUTY SIDE-MOUNTED ARMOR
- 11) 1.75 "TWIN" THRASHER" ANTI-AIRCRAFT GUNS
- 12) TWIN "CROW'S NEST" HARDENED STEEL RING ANTI-AIRCRAFT TURRET
- 13) "FLYING BRIDGE" COMMAND POST/FORWARD SWEEP WINDSCREEN
- 14) QUAD TUBE SURFACE-TO-AIR MISSILE LAUNCHERS
- 15) TWIN 1500HP SUPERCHARGED "POWER BLAST" DIESEL ENGINES
- 16) VERTICAL DIRECTIONAL STEERING VANES
- 17) "SKIMMER" IMPELLER-DRIVEN DIRECTIONAL JET RECON SLED
- 18) "MOTO-4" SUPERLIGHT ONE-MAN SURVEILLANCE CYCLE



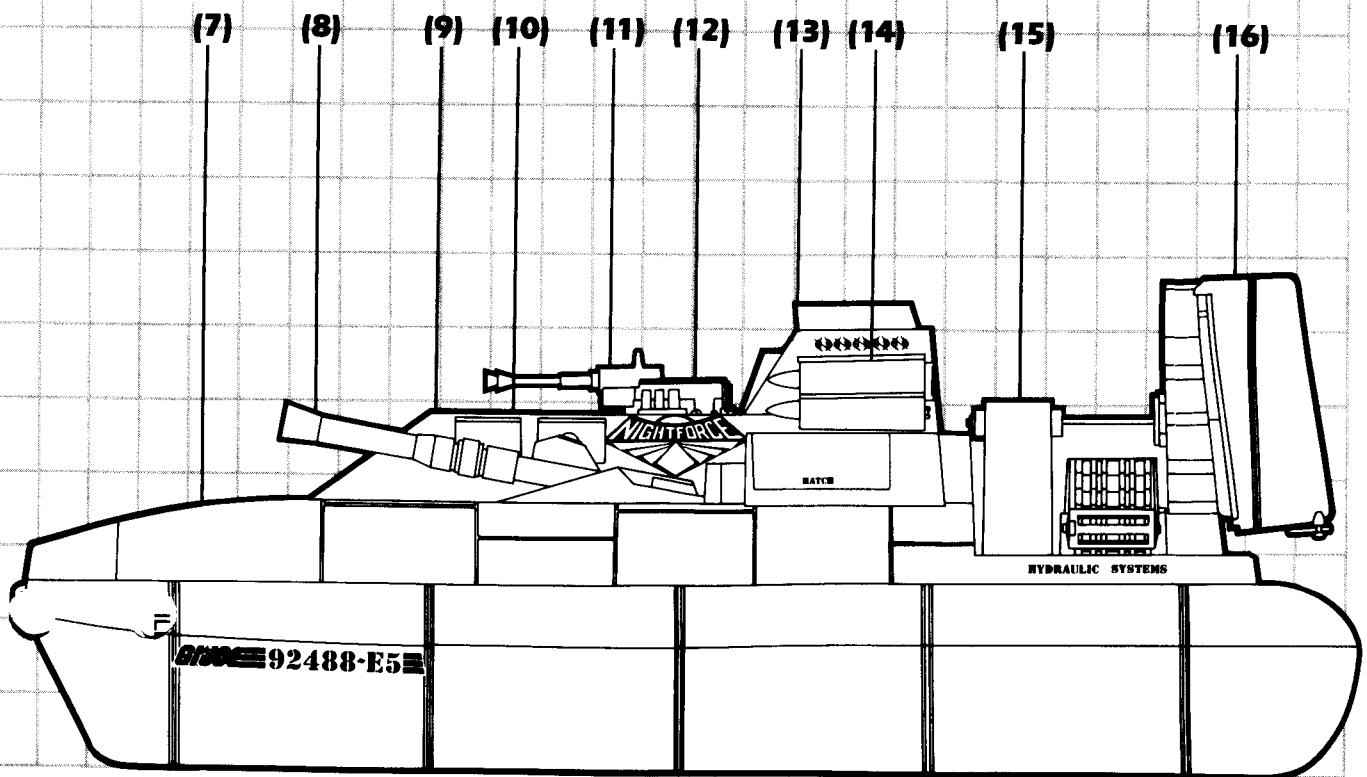
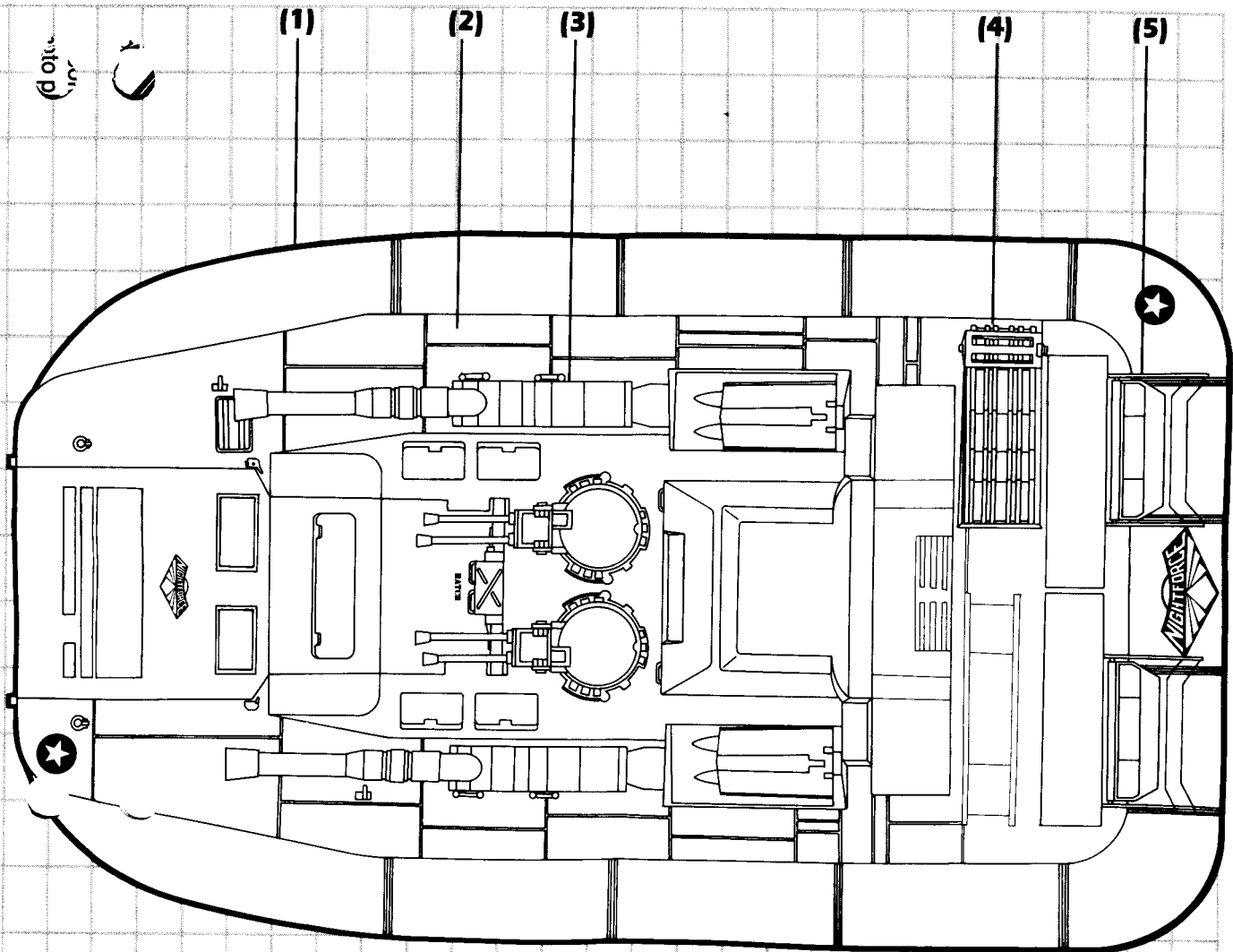
(18)



(17)



(6)



BRN 92488-E5