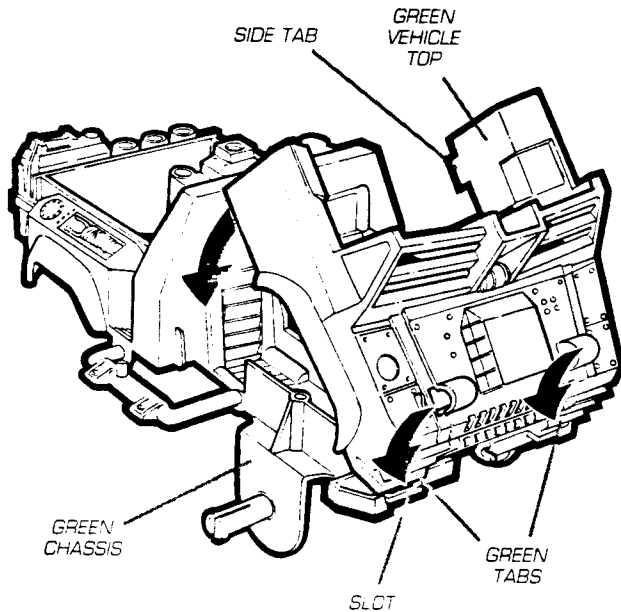
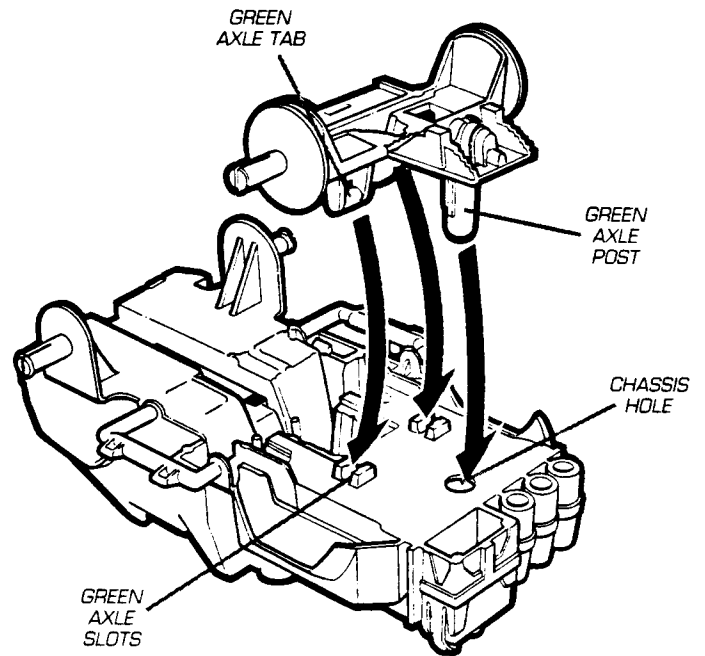


CONTAINS: Mudbuster vehicle, spring-action launcher, string, 2 missiles, grappling hook, roll cage, action bumper, 4 wheels, rubber band, label sheet and instructions. **CAUTION:** Do not aim weapon at eyes or face.



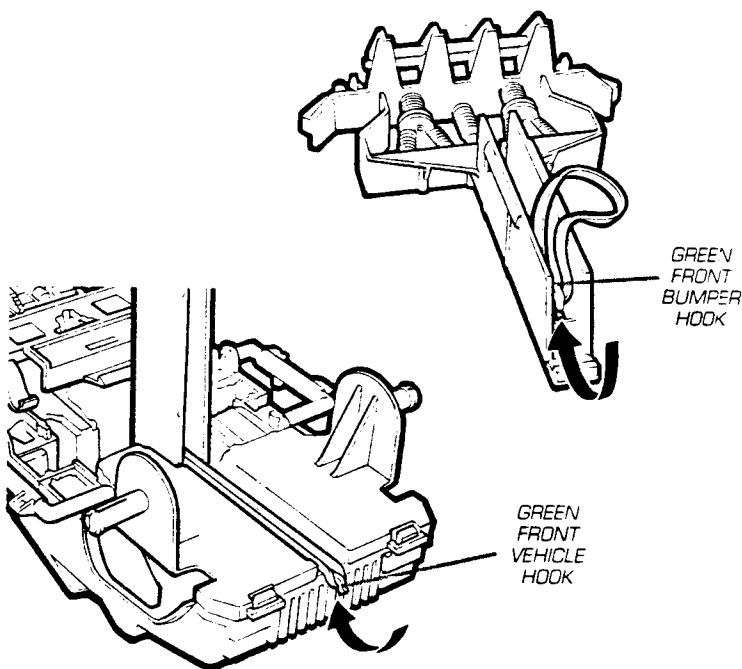
1 VEHICLE TOP/CHASSIS ASSEMBLY

Insert green tabs at front of green vehicle top into slots in front of green chassis. Press down sides of vehicle top until side tabs snap into place.



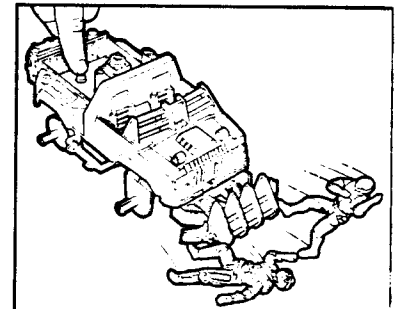
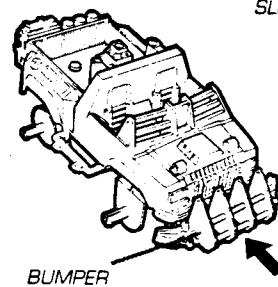
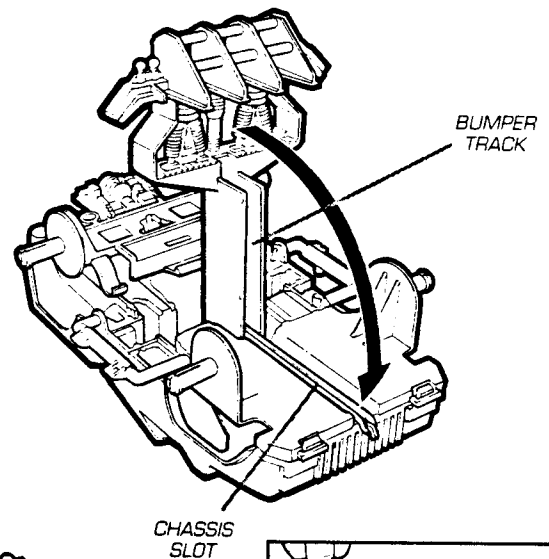
2 REAR AXLE ASSEMBLY

With green axle post inserted through rear chassis hole as shown, snap green axle tabs into green axle slots on bottom of chassis.



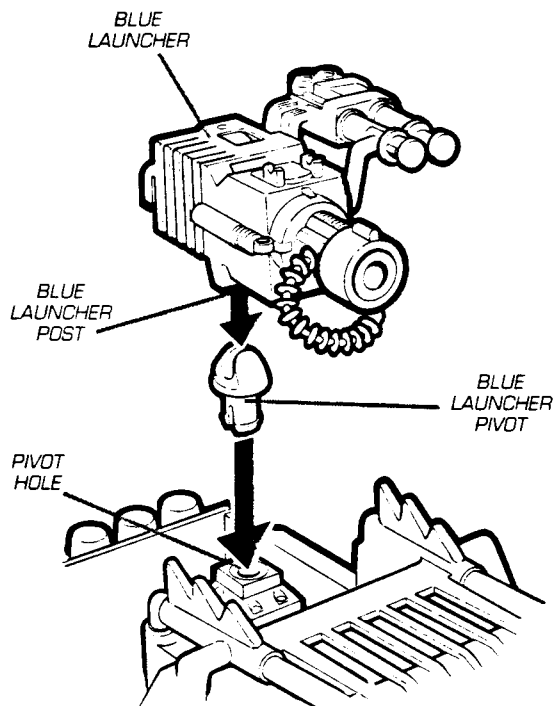
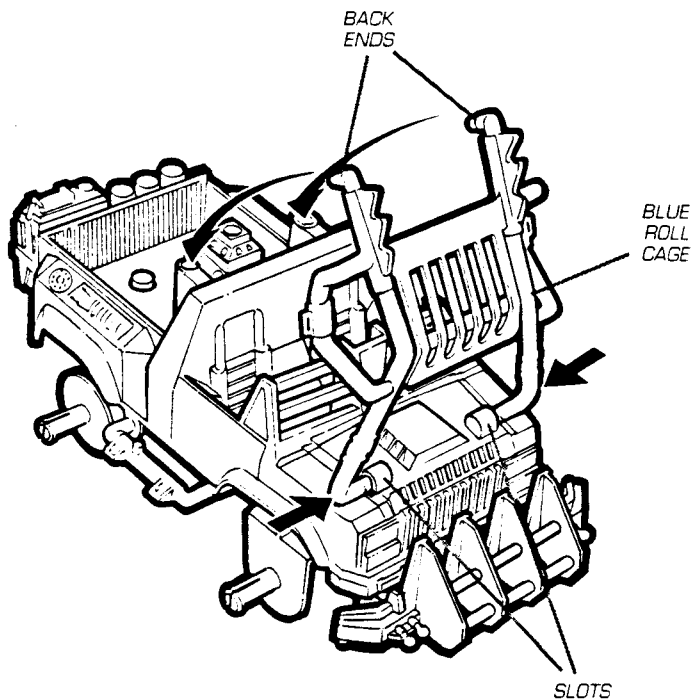
3 FRONT BUMPER ASSEMBLY

Loop rubber band down onto green front bumper hook as shown. Turn vehicle upside down and loop rubber band onto green front vehicle hook as shown.



4 FRONT BUMPER ASSEMBLY CONT.

Press green bumper track down between chassis slot until bumper track snaps in place. Turn vehicle over and push in bumper. To activate, press button inside truck bed.

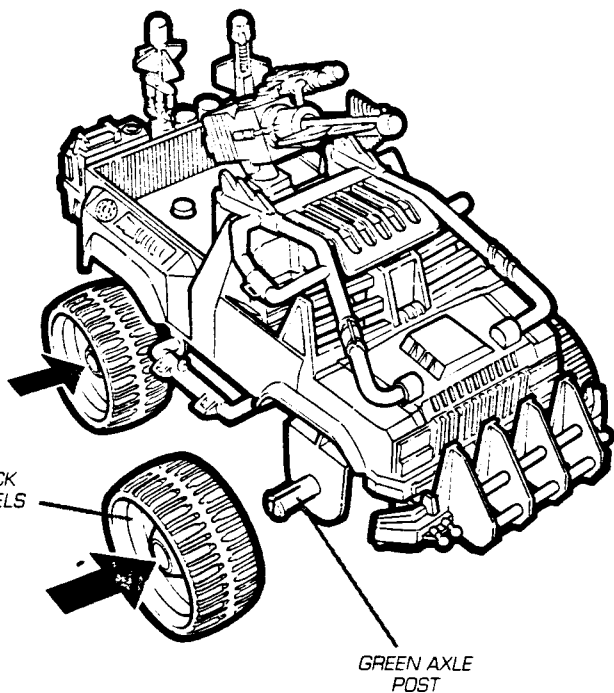
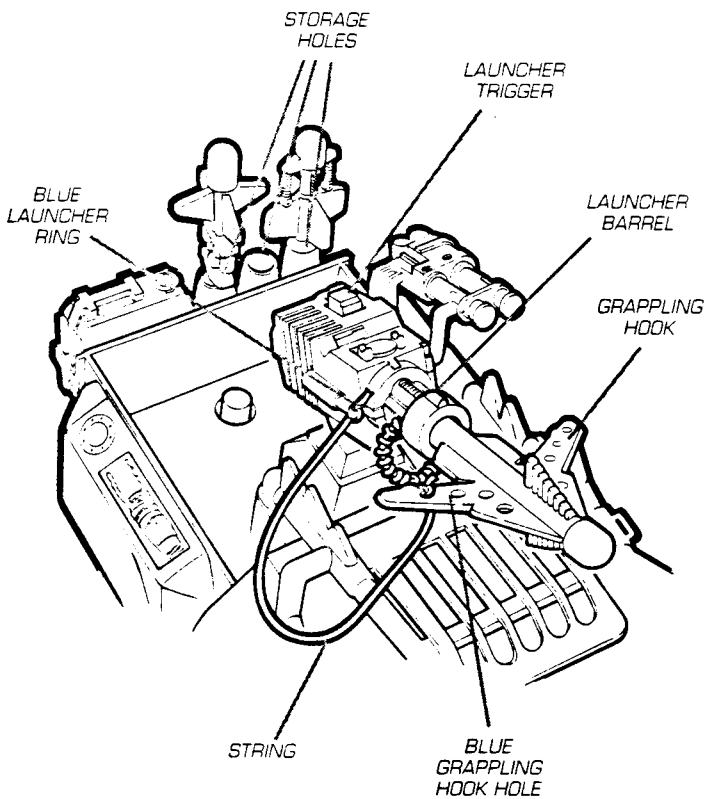


5 ROLL CAGE ASSEMBLY

Fit front ends of blue roll cage into slots in vehicle hood. Back ends of roll cage fit into holes as shown. Roll cage can be opened and closed when seating figures (sold separately).

6 LAUNCHER ASSEMBLY

Press blue launcher pivot into pivot hole as shown. Snap blue launcher post into launcher pivot.



7 LAUNCHER ASSEMBLY CONT.

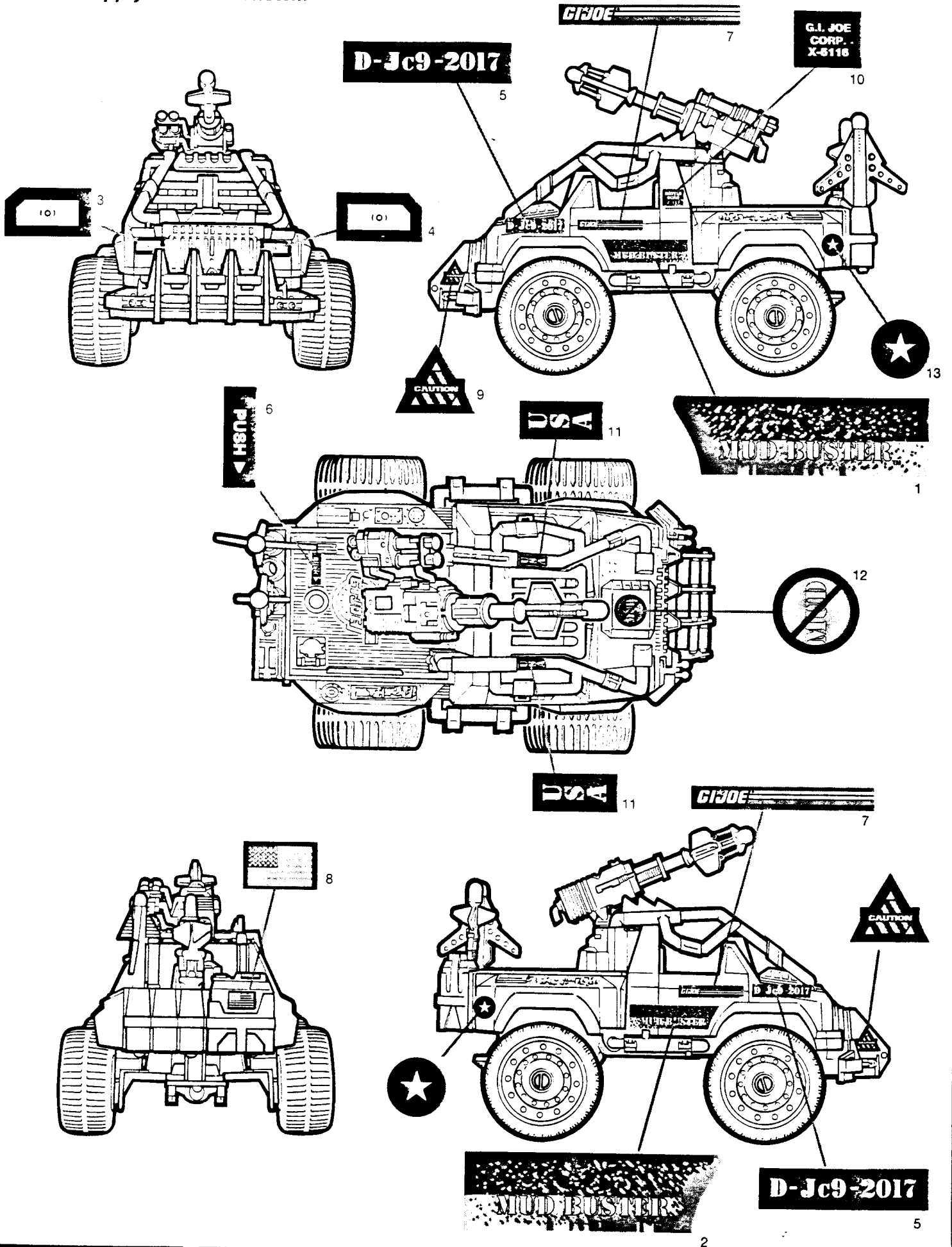
Insert grappling hook or missiles into launcher barrel as shown. Tie ends of string to blue launcher ring and blue grappling hook hole. To fire, press launcher trigger. Grappling hook and missiles store in holes at rear of vehicle.

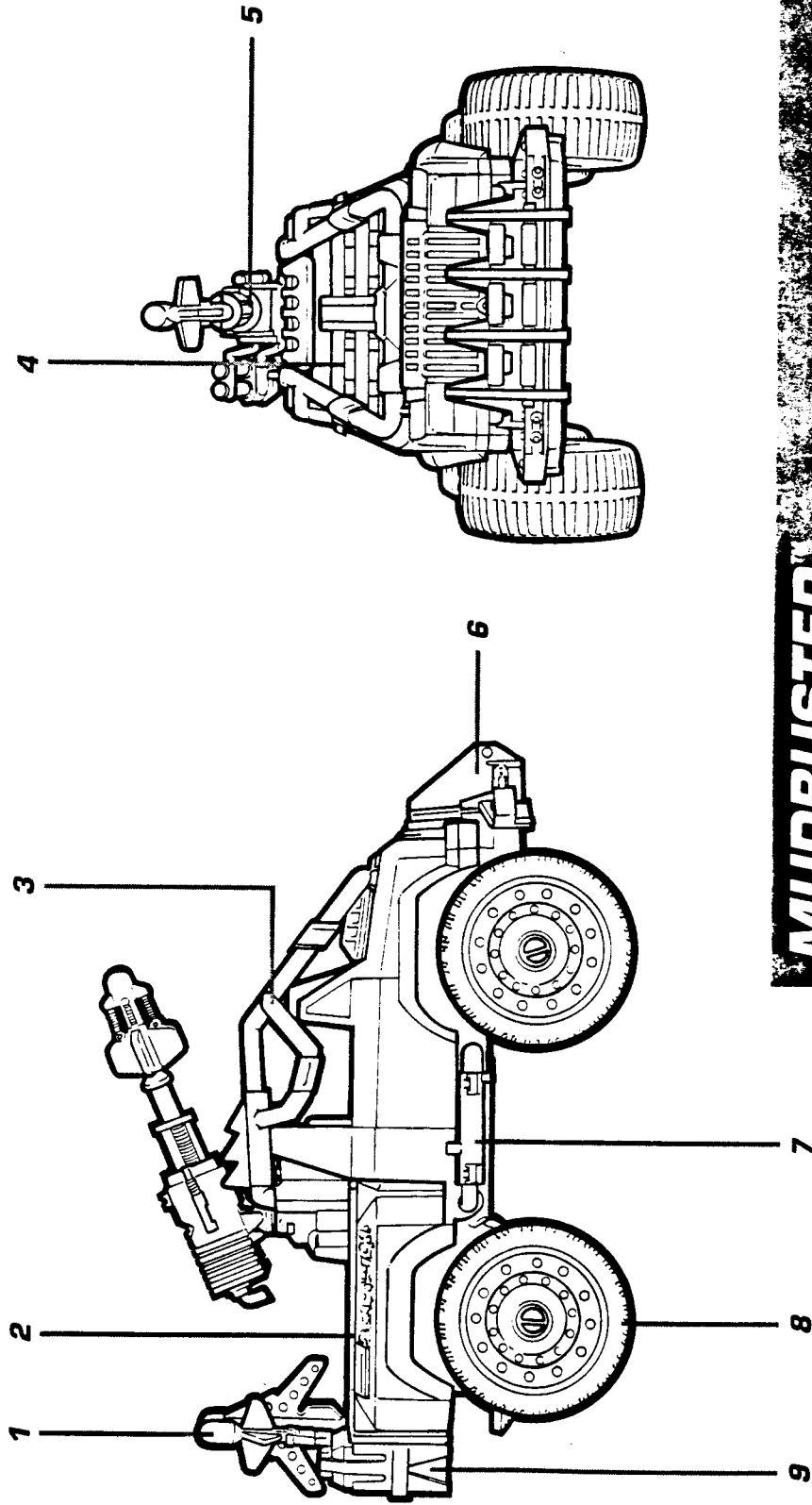
CAUTION: Do not aim weapons at eyes or face.

8 WHEEL ASSEMBLY

Snap the four black wheels onto the four green axle posts as shown.

Peel and apply labels as shown.





MUDBUSTER™ OFFICIAL G.I. JOE VEHICLE SPECIFICATIONS

- 1) WEAPONS STORAGE FOR MISSILES AND GRAPPLING HOOK
- 2) OPEN TRUCK BED CARRIES G.I. JOE TROOPS AND SUPPLIES
- 3) NON-COLLAPSIBLE, REINFORCED ROLL CAGE
- 4) COMMAND COCKPIT TRANSPORTS 2 G.I. JOE FIGURES
- 5) SPRING-ACTION, 360° ROTATING MISSILE/PROJECTILE LAUNCHER
- 6) FORWARD SHOOTING "SMASH 'N BASH" ACTION BUMPER
- 7) RUNNING BOARDS HOLD 2 ADDITIONAL G.I. JOE FIGURES
- 8) ALL-TERRAIN, PUNCTURE-PROOF MONSTER TIRES
- 9) BACKUP FUEL CONTAINER FOR LONG RANGE MISSIONS

Product and colors may vary.
Approximate size of Mudbuster is 10"L x 5 3/4"W x 5"H.
©1992 Hasbro, Inc., Pawtucket, RI 02862 U.S.A. All Rights Reserved.
MADE IN USA.
6886 P/N 43179800