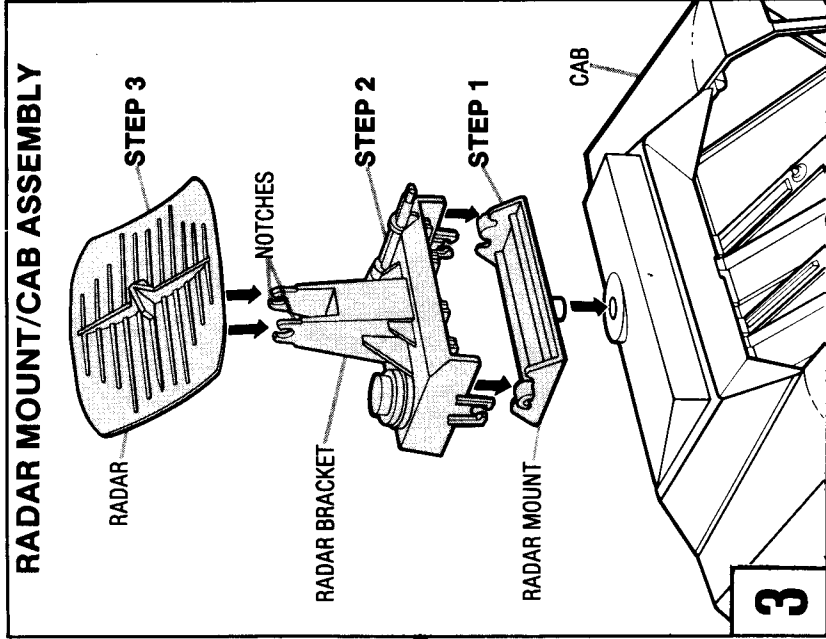
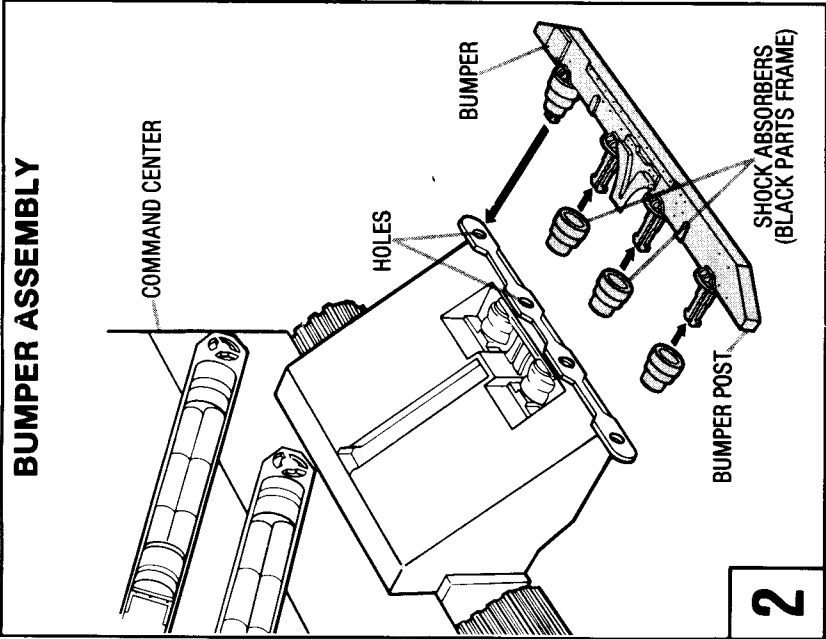
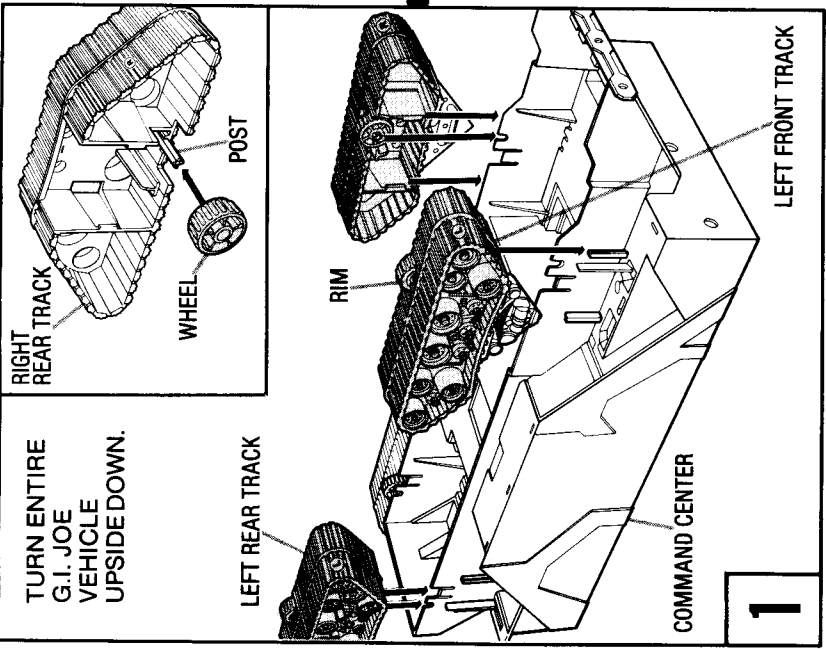
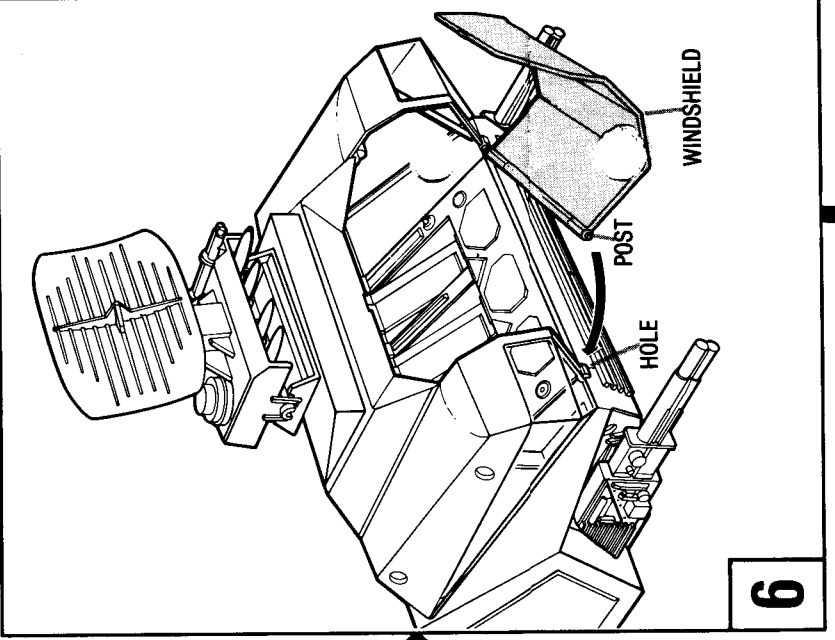
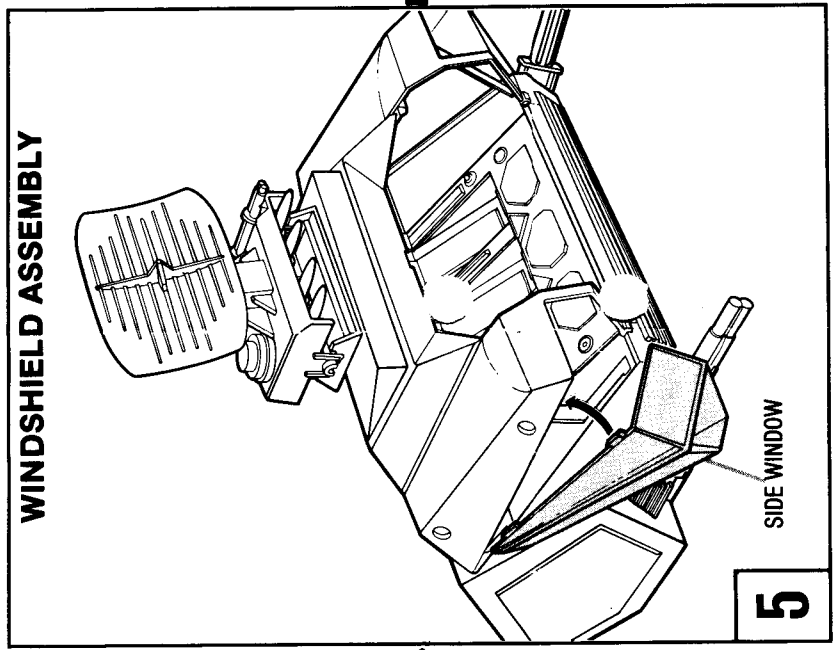
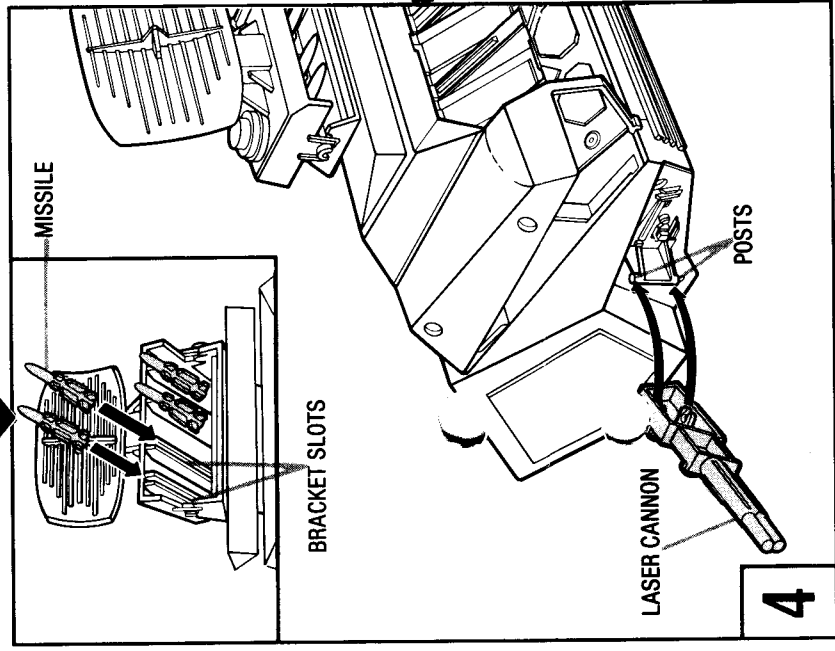


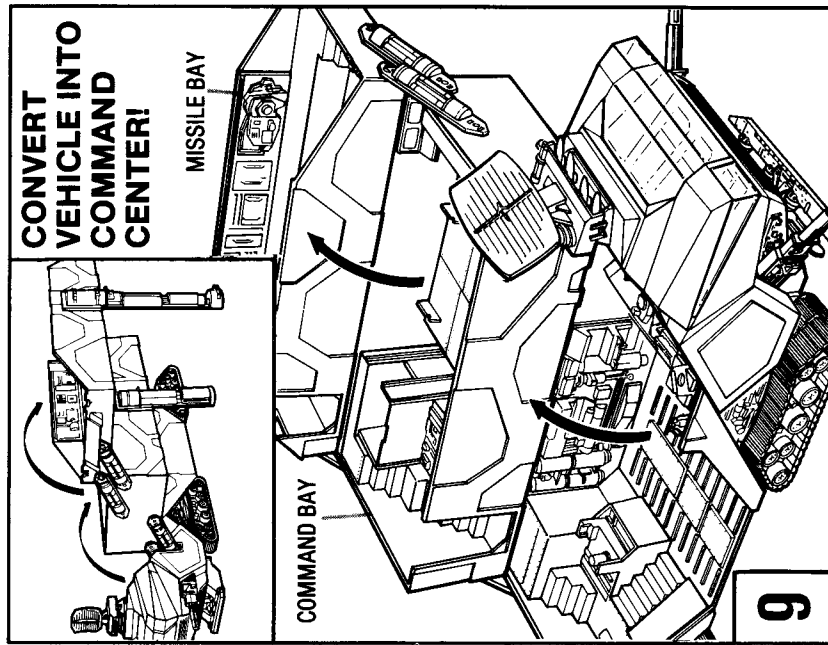
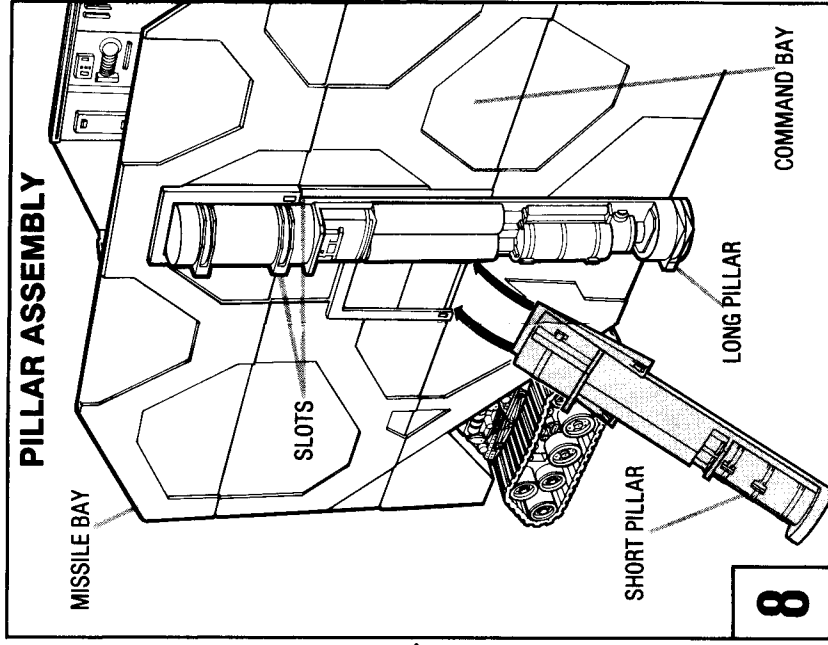
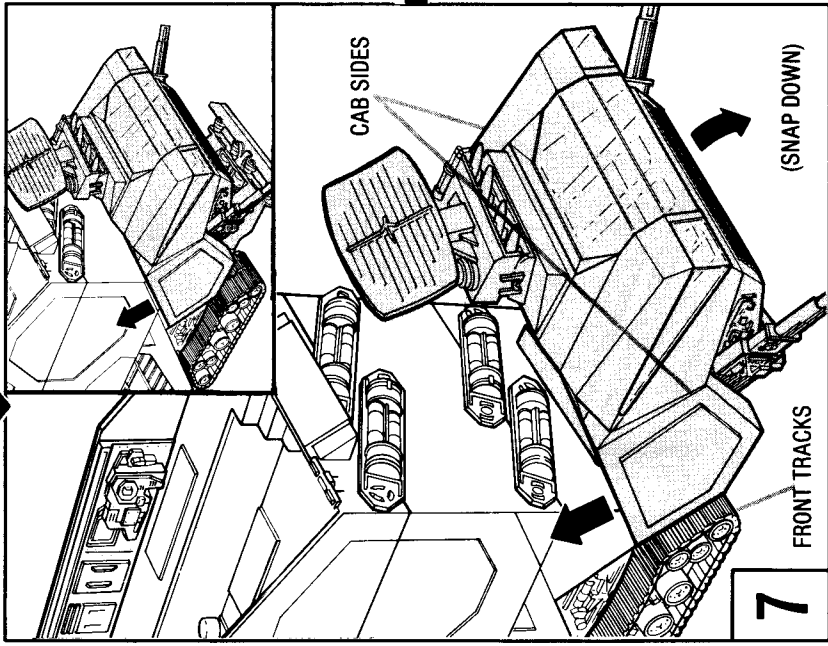
Remove all pieces from plastic frames if you have difficulty, use safety scissors.

IMPORTANT: Before you begin, read instructions carefully.

INSTRUCTION SHEET "B" (SEE INSTRUCTION SHEET "A" BEFORE ASSEMBLY)

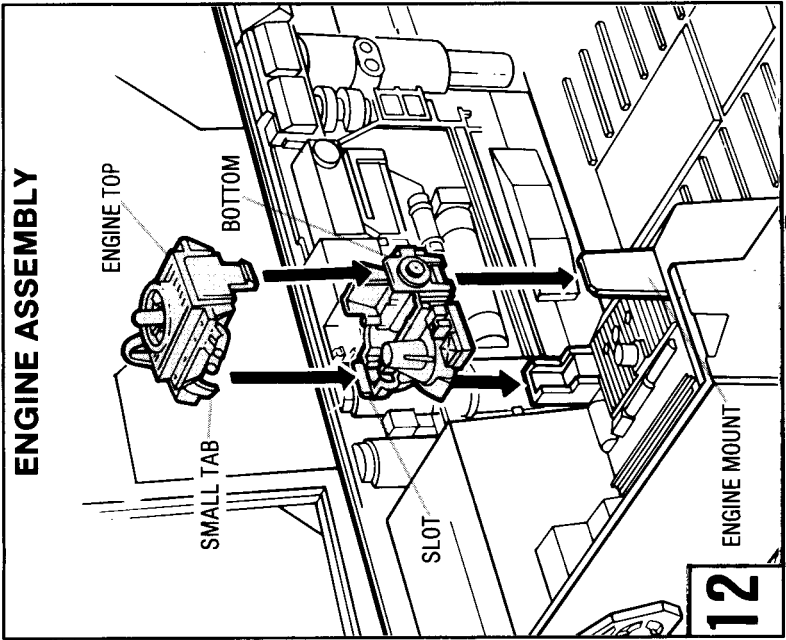
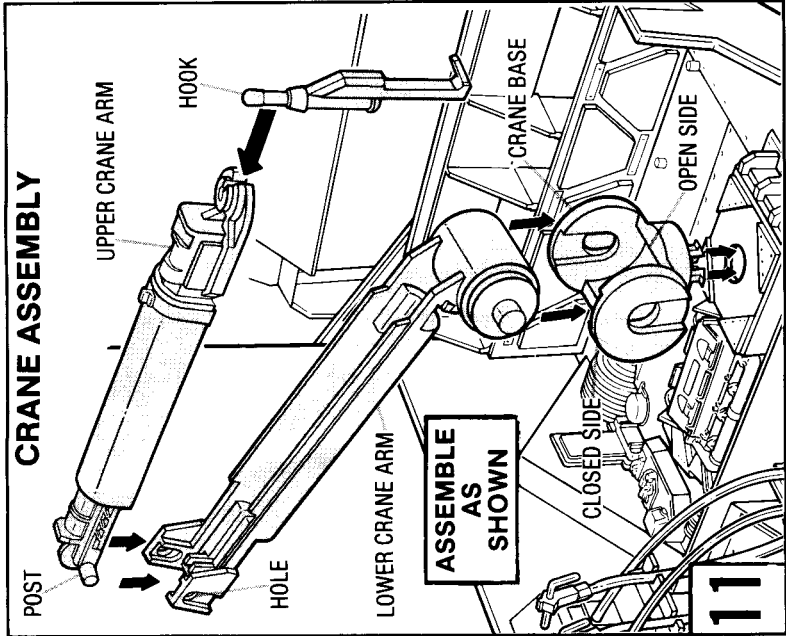
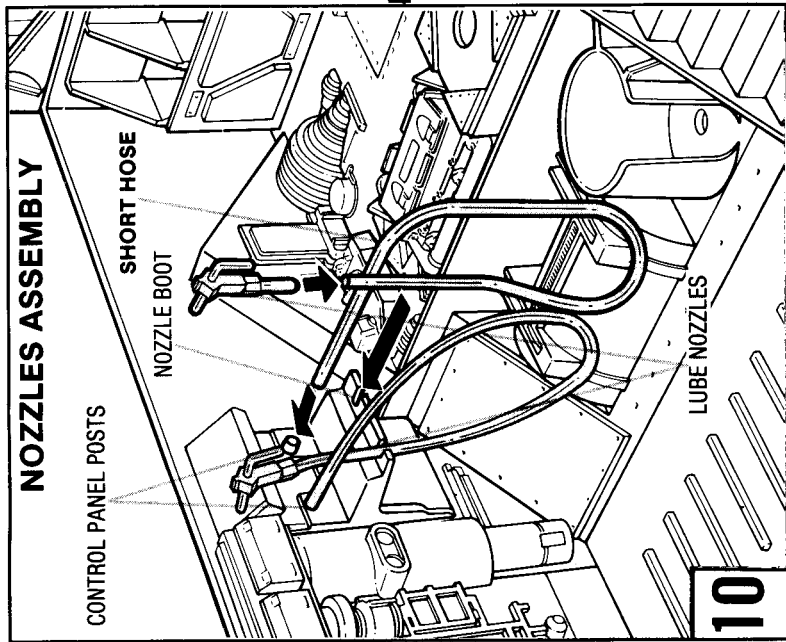


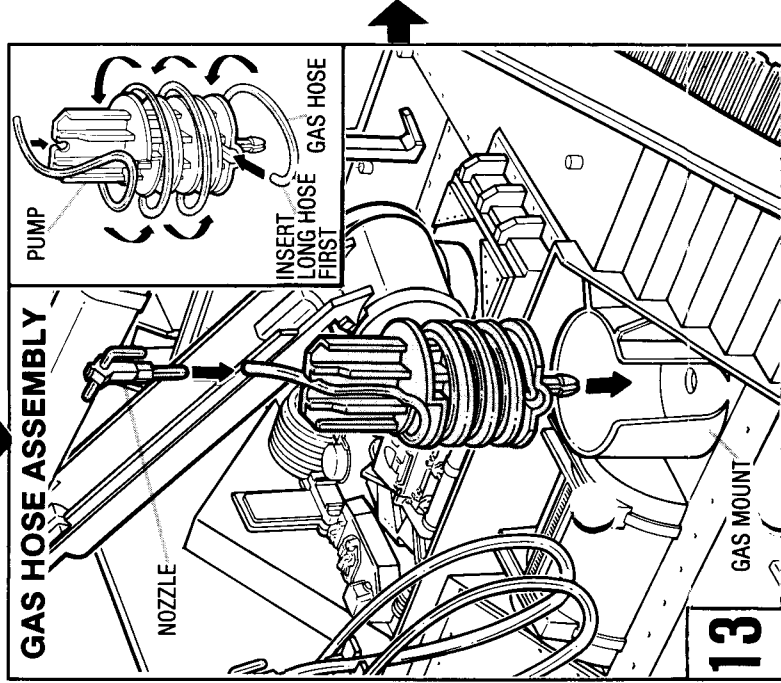




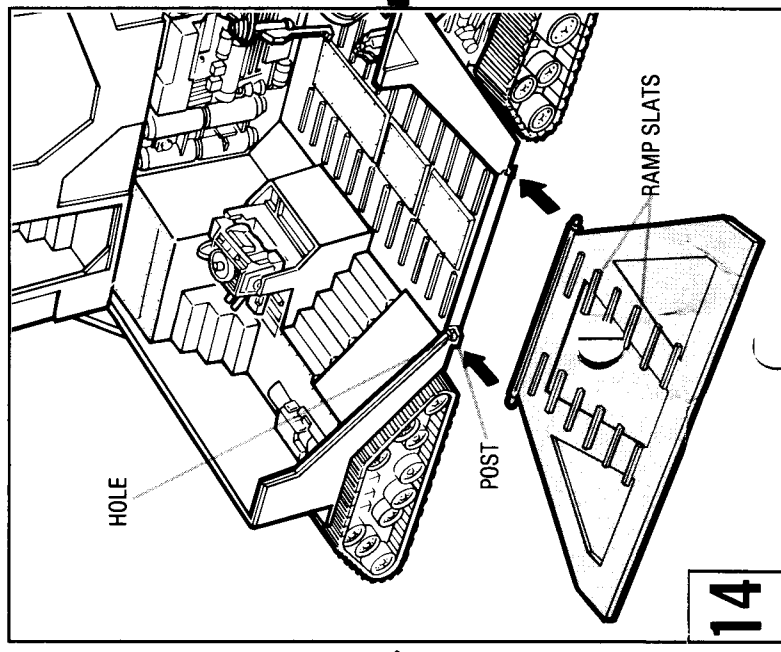
- 1 Turn COMMAND CENTER upside down. With rims facing inward, fit WHEELS over posts on 4 TRACKS. SEE INSET. Slide LEFT & RIGHT FRONT tracks (marked "L" and "R") over guide posts underneath front of Command Center. Repeat with LEFT & RIGHT REAR tracks (marked "L" and "R").
- 2 Place Command Center right side up. Fit 4 SHOCK ABSORBERS onto BUMPER POSTS. Snap bumper posts into holes in front end of vehicle.
- 3 Snap post on radar assembly into CAB. Snap radar bracket onto RADAR MOUNT. Snap RADAR into notches in RADAR BRACKET.
- 4 Fit 4 MISSILES into radar bracket slots. SEE INSET. Snap LEFT and RIGHT LASER CANNONS over posts on sides of Cab.
- 5 Snap LEFT and RIGHT SIDE WINDOWS into sides of Cab.
- 6 Fit one post on WINDSHIELD into hole in Cab and snap other post into place. Pivot windshield upwards to close.
- 7 Slide Cab sides between front tracks and snap down to secure. Cab slides up for transport mode and down to open vehicle into Command Center.
- 8 Slide LONG PILLAR up through slots on left side of Missile Bay and SNAP INTO PLACE. Slide SHORT PILLAR into slots in Command Bay and SNAP INTO PLACE.
- 9 Lift MISSILE BAY and COMMAND BAY upward and rest Bays on pillars.

SERVICE BAY (BOTTOM SECTION)

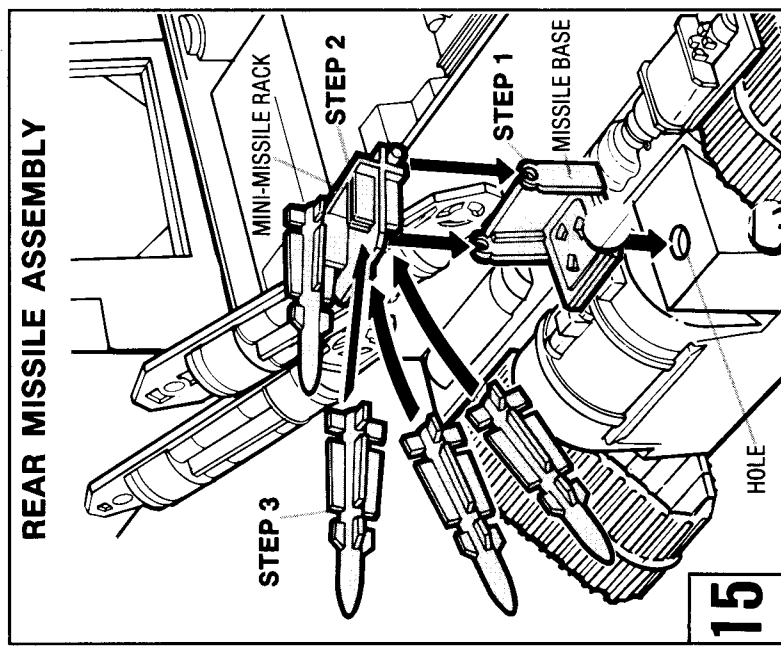




13



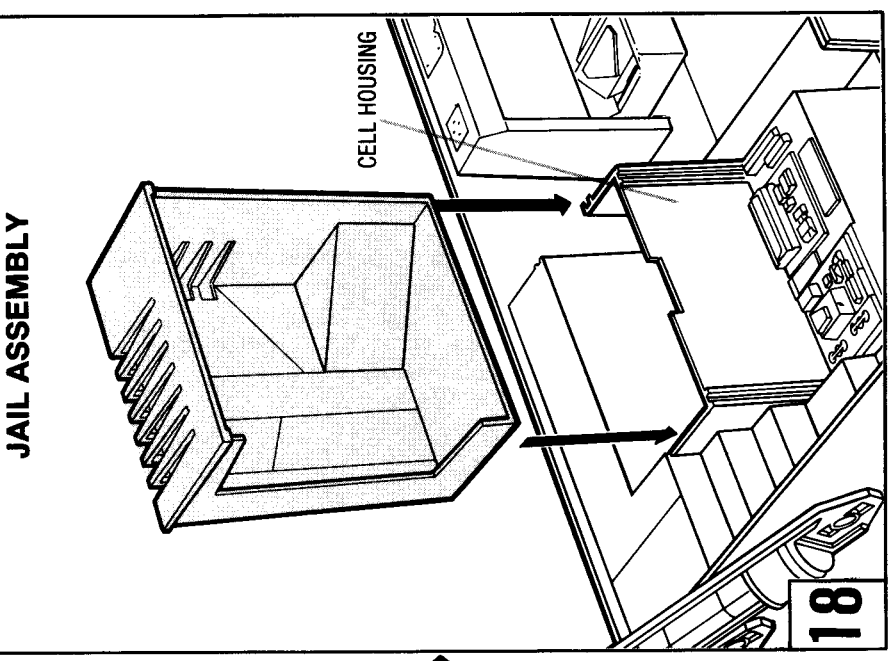
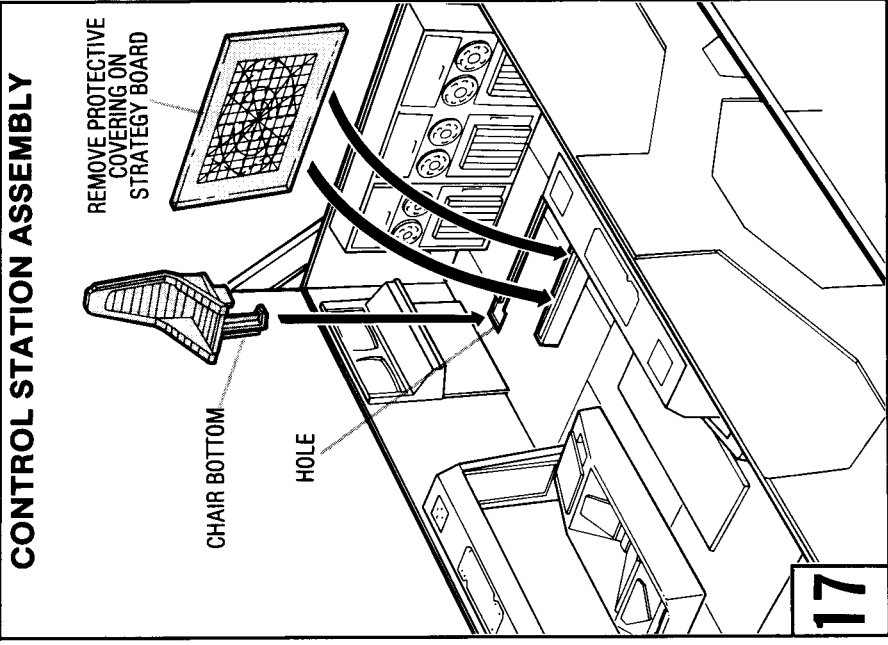
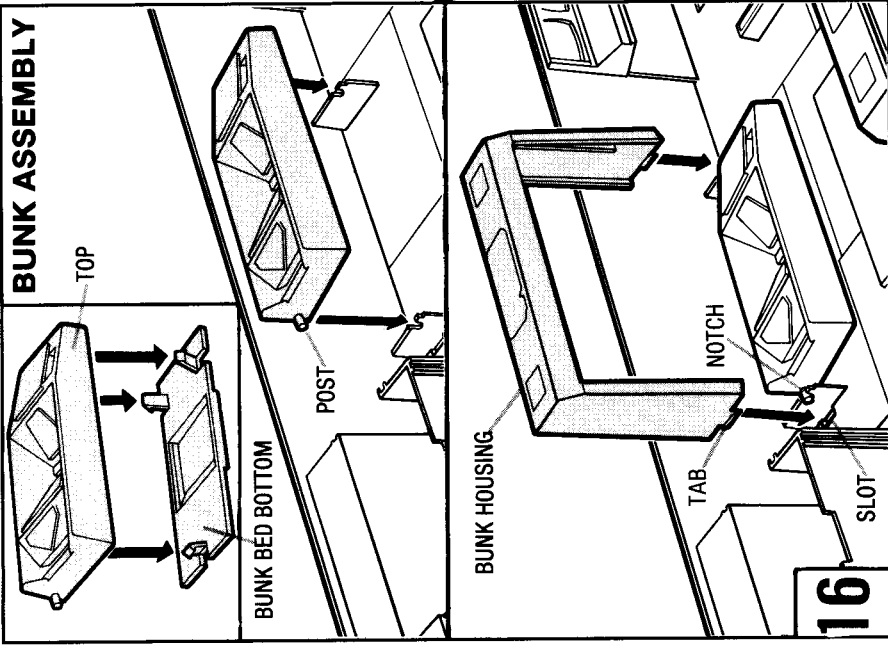
14



15

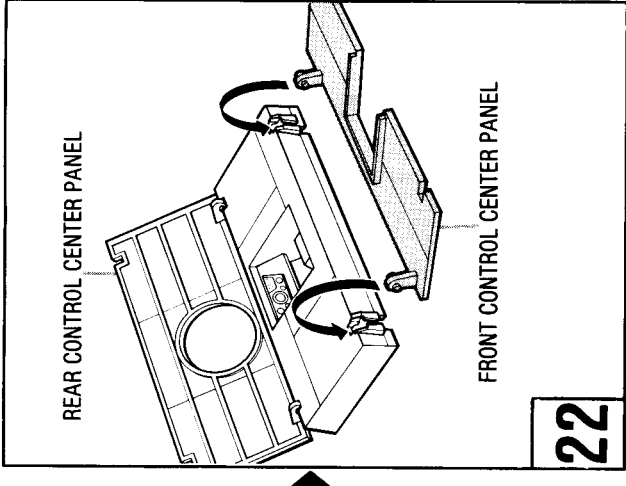
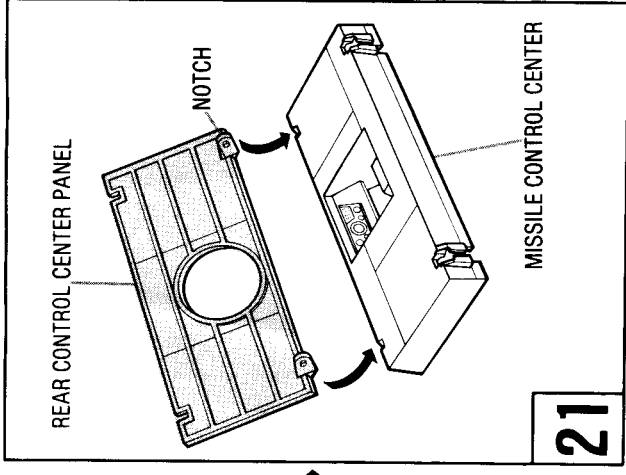
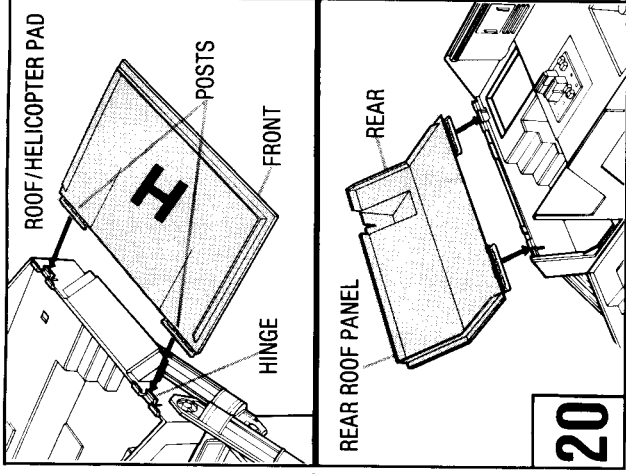
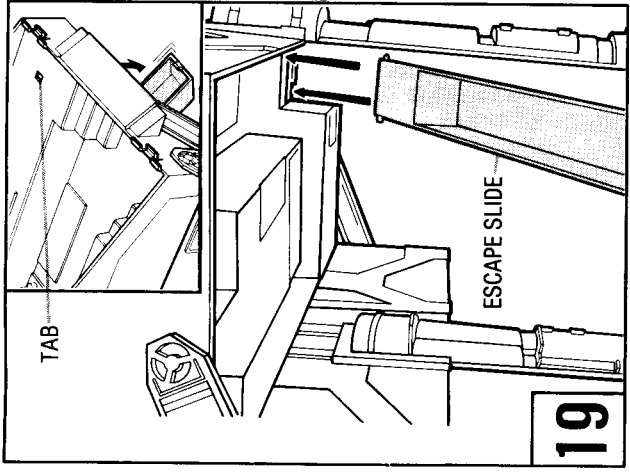
REAR MISSILE ASSEMBLY

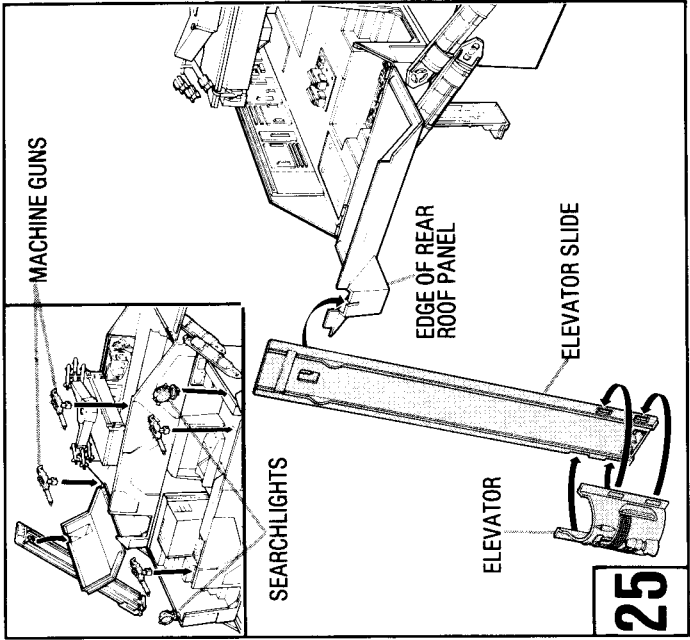
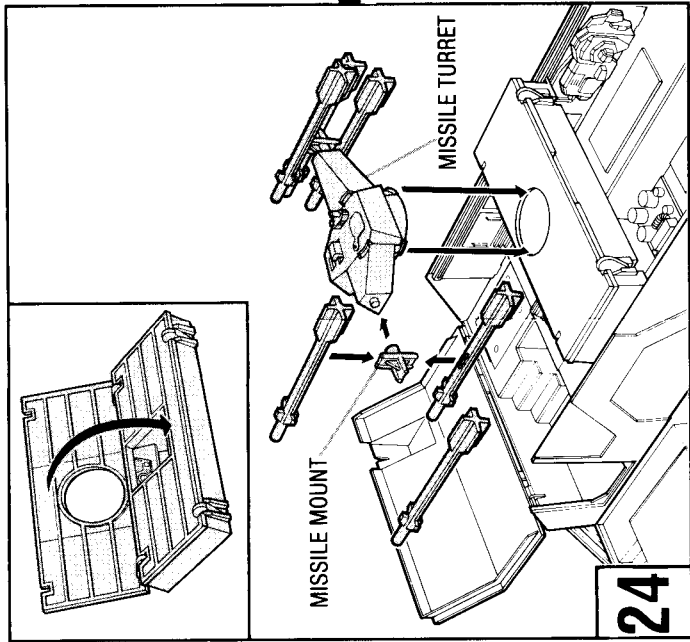
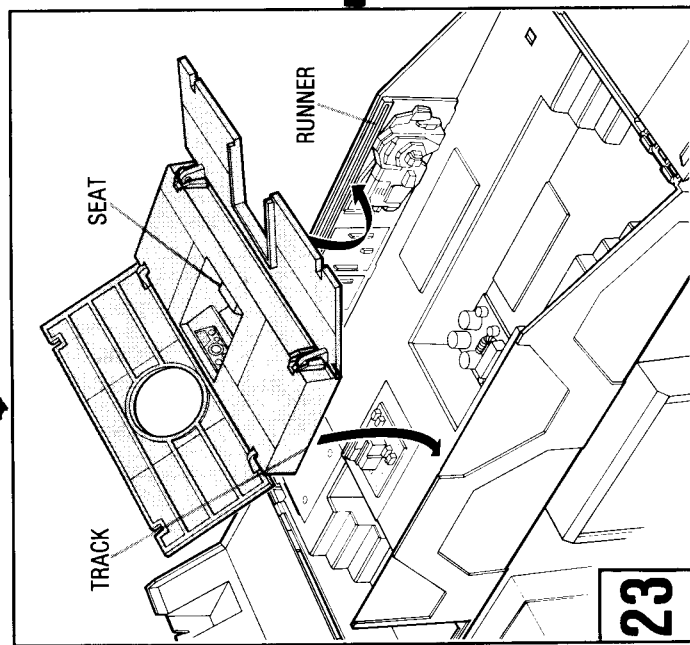
- 10** Insert LUBE NOZZLES into 2 SHORT HOSES. Fit other ends of hoses onto control panel posts in Service Bay. (Fit nozzles in boots as shown.)
- 11** Snap CRANE BASE into hole in SERVICE BAY. Snap HOOK into hole in UPPER CRANE ARM. Fit one post on upper crane arm into one hole in LOWER CRANE ARM. Snap other post into place. Snap LOWER CRANE ARM into crane base AS SHOWN.
- 12** Fit small tab on engine top into slot in engine bottom and snap large tab into place. Fit engine into engine mount in Service Bay.
- 13** Fit LONG GAS HOSE into hole in GAS PUMP. SEE INSET. Wrap hose around grooves. Snap pump into gas mount. Insert NOZZLE into end of hose. (Make sure hose can be unwound through mount opening.)
- 14** With ramp slats facing upward, fit one post into hole in Service Bay floor. Snap other post into place.
- 15** Snap MINI-MISSILE RACK onto MISSILE BASE. Snap missile base into hole in rear of Service Bay. Fit 4 missiles into slots in rack.



- 16** Snap BUNK BED BOTTOM to BUNK BED TOP. SEE INSET. Place posts in Command Bay. Snap tabs on BUNK HOUSING into slots in floor. Repeat with 2ND BUNK BED and BUNK HOUSING. (Flip bunk beds upward to expose computers.)
- 17** Fit tab on CHAIR BOTTOM through hole in floor and slide to secure. Remove protective covering from STRATEGY BOARD. Fit board into slot in floor.
- 18** With door opening facing front, slide DETAINMENT CELL into cell housing.

MISSILE BAY (TOP SECTION)





19 Underneath Missile Bay, insert top of ESCAPE SLIDE into tab. Lift bottom of slide and snap tab into slot. (Push tab to activate slide. SEE INSET).

20 Snap posts on HELICOPTER PAD into hinges on FRONT END of Missile Bay. () posts on REAR ROOF PANEL into hinges on REAR END of Missile Bay.

21 Snap posts on REAR PANEL into notches on REAR of Missile Control Center.

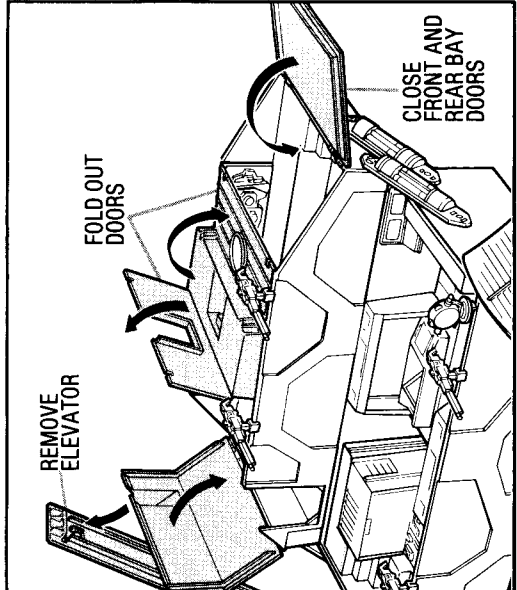
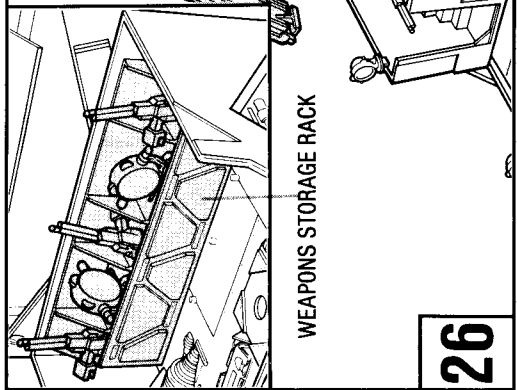
22 Snap posts on FRONT PANEL into notches on FRONT of MISSILE CONTROL CENTER. (SEAT FACES REAR)

23 With seat facing REAR of vehicle, fit one track on side of Missile Control Center into runner on side of Missile Bay. Fit other track into opposite runner.

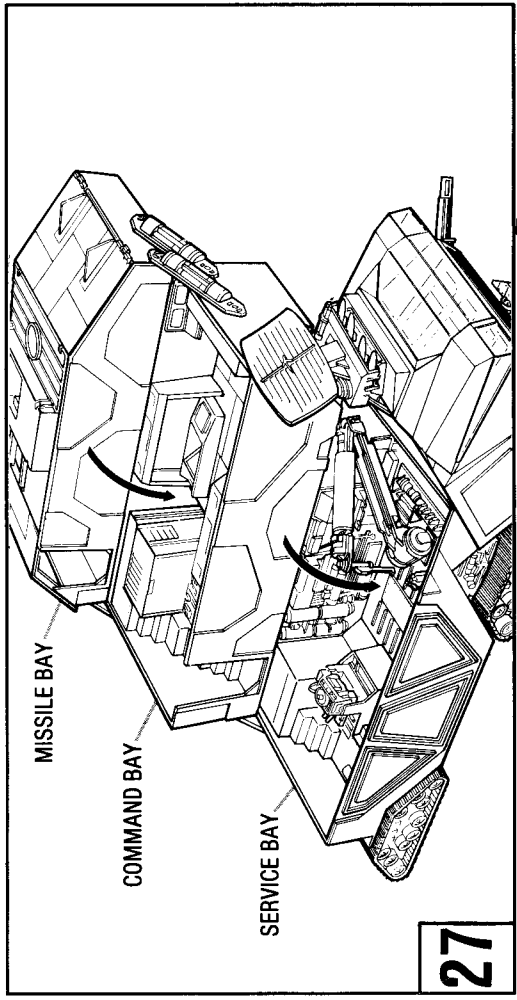
24 Fold rear panel over Missile Control Center. Fold front panel over rear panel. SEE INSET. Fit MISSILE MOUNTS on each end of MISSILE TURRET. Fit 6 MISSILE MOUNTS over Missile Control Center.

25 Slide ELEVATOR onto ELEVATOR SLIDE. Fit top of slide over edge of rear roof panel. Fit 4 SEARCHLIGHTS and 6 MACHINE GUNS over walls of Bays. (SEE INSET.)

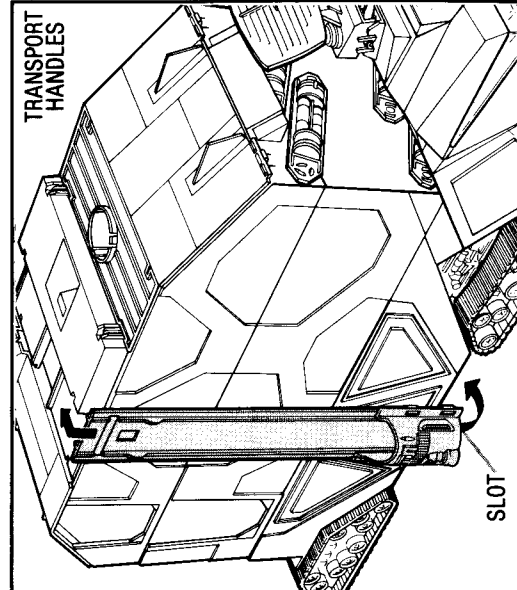
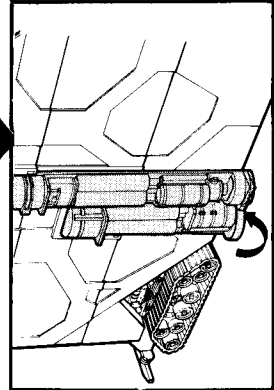
CONVERT G.I. JOE'S COMMAND CENTER INTO A MOBILE COMMAND VEHICLE!



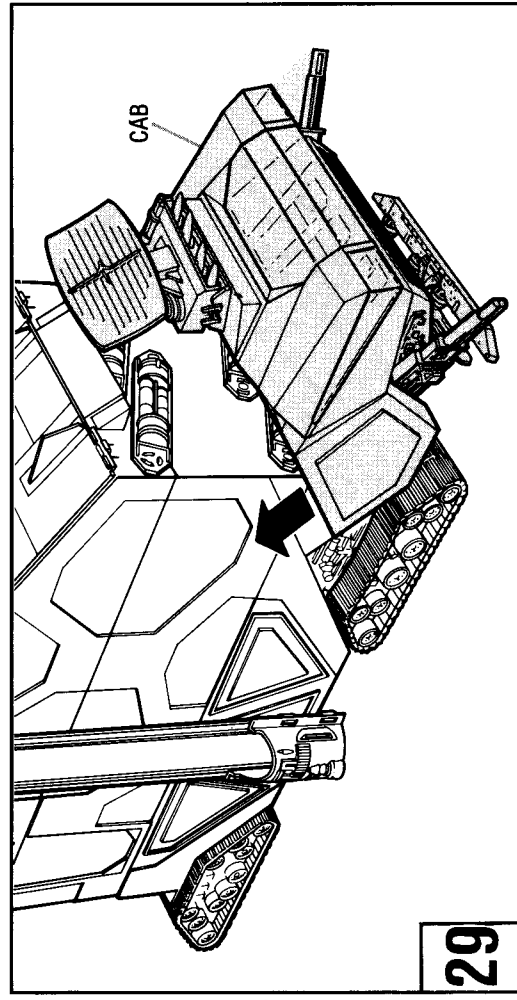
26



27



28



29

26 Remove guns and searchlights and store in weapons storage rack in Service Bay. Remove elevator from vehicle. Close front and rear missile doors. Fold out missile control center doors to form Missile Bay roof.

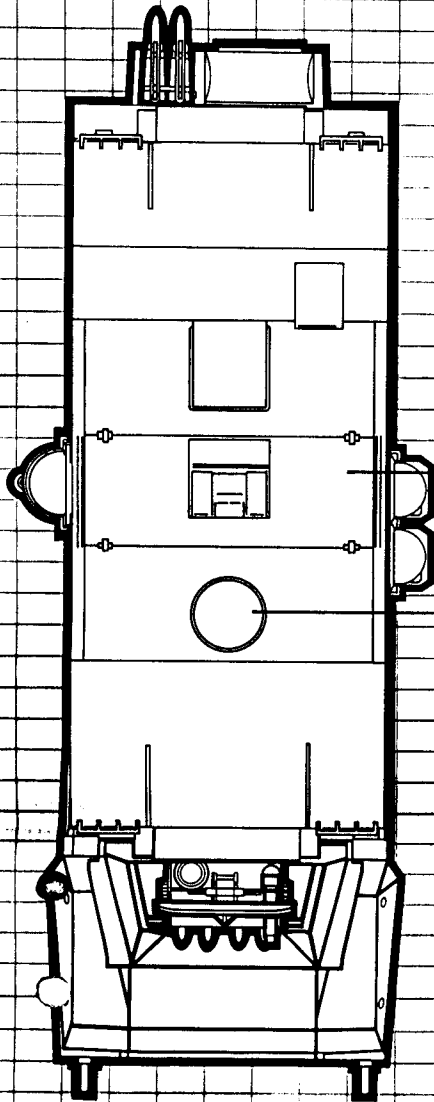
27 Lift Missile Bay and Command Bay and pivot over Service Bay.

28 Fit slot in bottom of LONG PILLAR underneath vehicle. SEE INSET. Fit slot in bottom of ELEVATOR SLIDE underneath tab on right side of vehicle. Fit top of slide over roof of vehicle to secure. (Grasp transport handles to lift vehicle.)

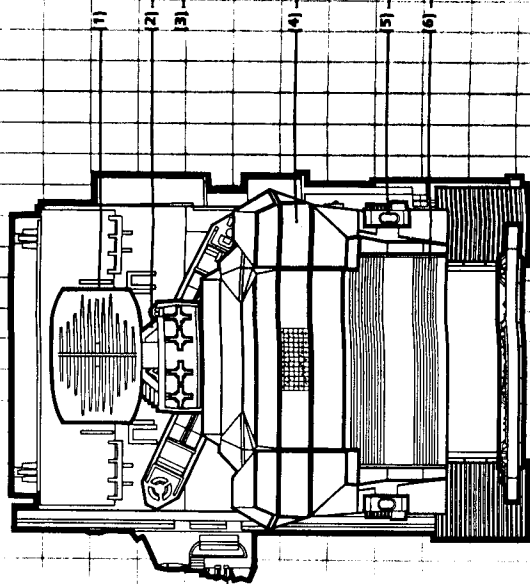
29 Slide Cab upward to lock into transport mode.

MOBILE COMMAND CENTER

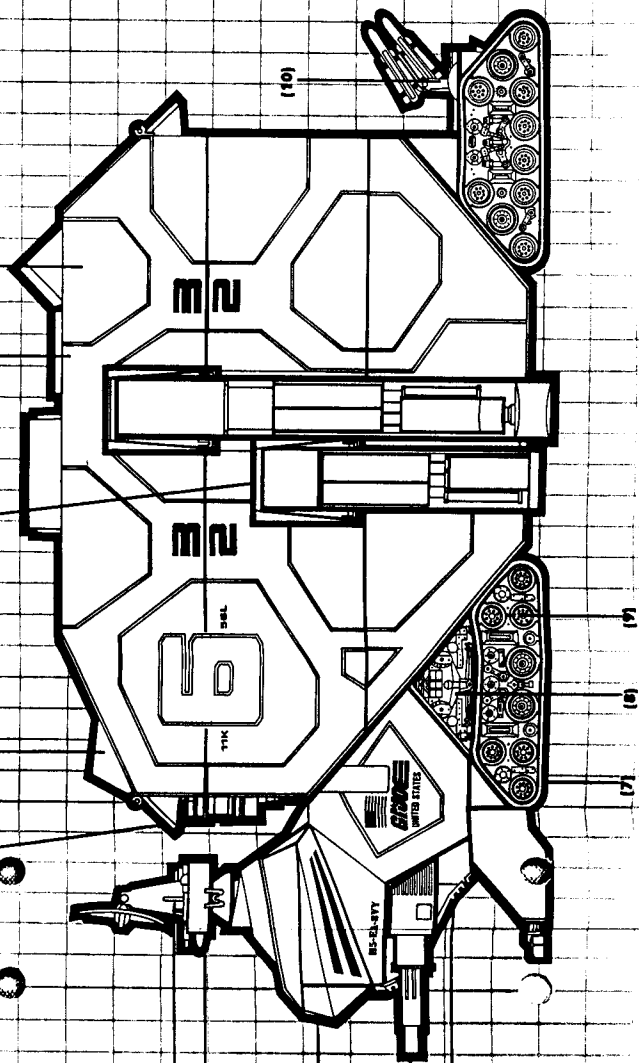
- 1) TARGET ACQUISITION/FORWARD MISSILE CONTROL RADAR
- 2) ELECTRONIC COMMUNICATIONS/COUNTERMEASURE COMPUTER
- 3) SHOCKWAVE/ELECTRONIC HE-27 250 LB. MISSILES
- 4) MULTI-LAYER FUSED ALUM-SILICA GLASS WINDSHIELD
- 5) "REFLEX" COAXIAL FIRING COMPUTER OPERATED .50 CAL CANNONS
- 6) BLAST-PROOF/AIR EXCHANGE VENTILATORS
- 7) NON-CLOGGING "HEAVY HAULERS" STEEL PLATED TRACKS
- 8) 2000 KILOWATT/2700 HP DIESEL ENGINE
- 9) ELECTRIC TRACTION MOTOR/GENERATOR
- 10) "BARBAGE" PHASED ARRAY TARGETING COMPUTER/MISSILE LAUNCHER
- 11) 67000/2500 PSI PNEUMATIC ELECTRICALLY OPERATED PLATFORM ELEVATION SYSTEM
- 12) TILT-BACK MINI-HELICOPTER LANDING STATION
- 13) PNEUMATIC-LOCK/OBSERVATION PORT
- 14) PLATFORM ELEVATION SUPPORT ARMS
- 15) "SWINGER" ROTATING SIDEWINDER-MOUNT MISSILE LAUNCHER
- 16) ALUMINUM/BORON SUPPORT FRAME STRUCTURE
- 17) NYLON MFG/MECH/HONEYCOMB COMPOSITE STRESSED-PANEL EXTERIOR
- 18) PNEUMATIC PRESSURE VERTICAL TRANSPORT STATION



(11) (12) (13) (14) (15) (16) (17)



(18)



(10)

(19) (20) (21)