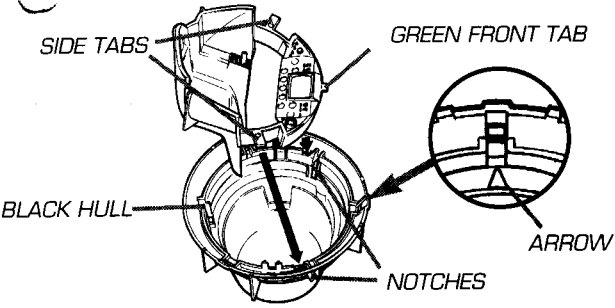


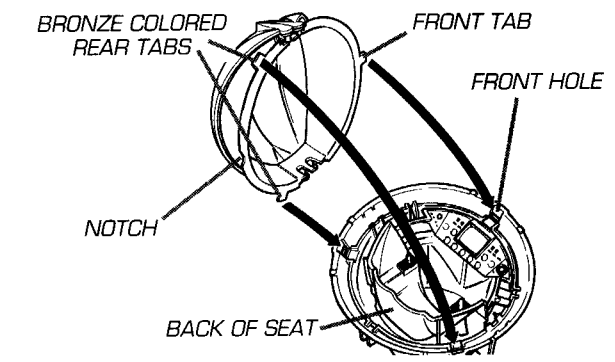
WARNING
Contains small parts which may present a choking hazard to children under three.

CONTAINS: Cockpit, hull, hull top, canopy halves, launcher, 4 missiles, turret, 2 engine nozzles, gun, vent pipe, 4 tubes, antenna, 3 legs and label sheet.



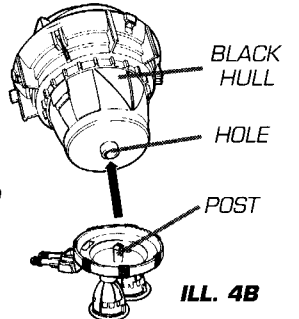
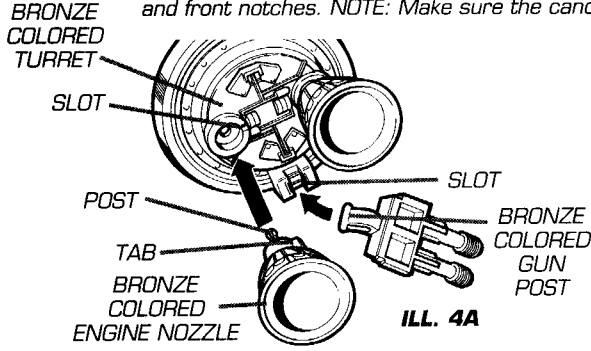
1. COCKPIT ASSEMBLY

Line up front tab on green cockpit console with arrow inside black hull, then fit side tabs into notches in hull.



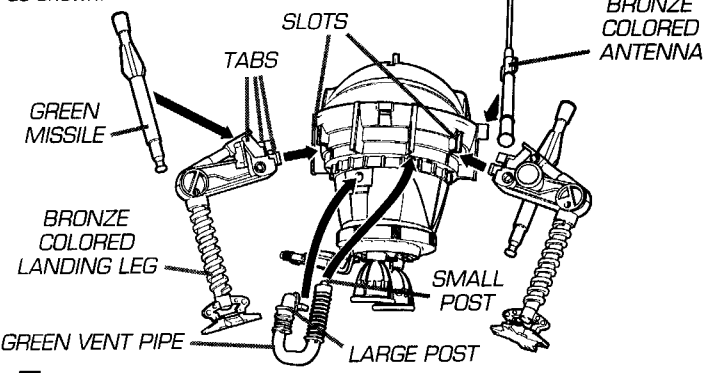
2. CANOPY ASSEMBLY

With canopy locks facing up, fit posts on green canopy half into the rear notches in bronze colored hull top as shown. Repeat with other canopy half and front notches. NOTE: Make sure the canopy locks line up.



3. CANOPY ASSEMBLY CONT.

Line up notch in bronze colored hull top with back of seat. Insert the two rear tabs into holes in black hull, then snap front tab into front hole as shown.

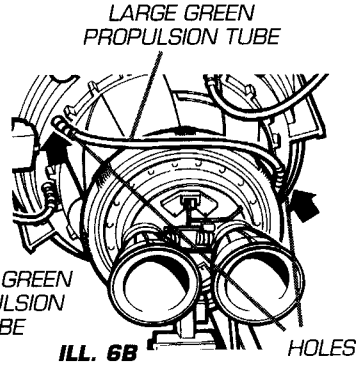
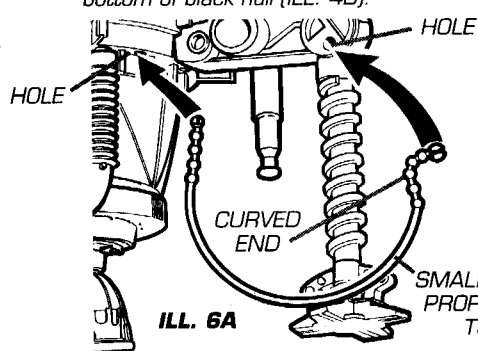


5. LANDING LEGS/ACCESSORIES

Snap tabs on bronze colored landing legs into slots in sides of black hull. Snap large post on green vent pipe into hole in side of hull, then fit smaller post into other hole as shown. Fit slot in bronze colored antenna onto tab on side of hull. Fit slots in green missiles onto outside tabs on landing legs.

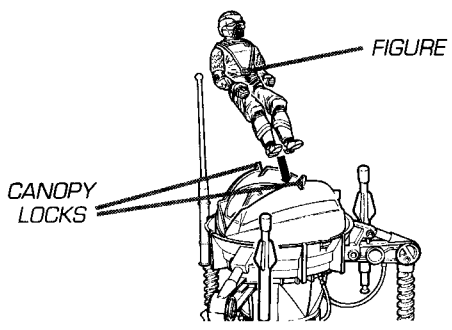
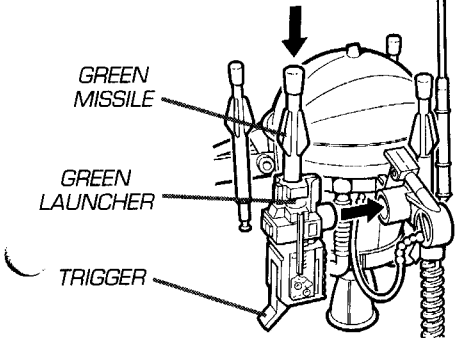
4. TURRET/HULL ASSEMBLY

Line up tabs on bronze colored engine nozzles with slots in bronze colored turret. Snap nozzle posts into turret holes. Use a twisting motion to insert bronze colored gun post into turret slot (ILL. 4A). Snap turret post into hole in bottom of black hull (ILL. 4B).



6. PROPULSION TUBES

Insert CURVED end of small green propulsion tube into hole on LEFT side of one landing leg. Bend tube and insert STRAIGHT end into hole in hull as shown. Repeat with remaining small green tubes and landing legs (ILL. 6A). Insert ends of large green propulsion tube into remaining holes in hull as shown (ILL 6B).



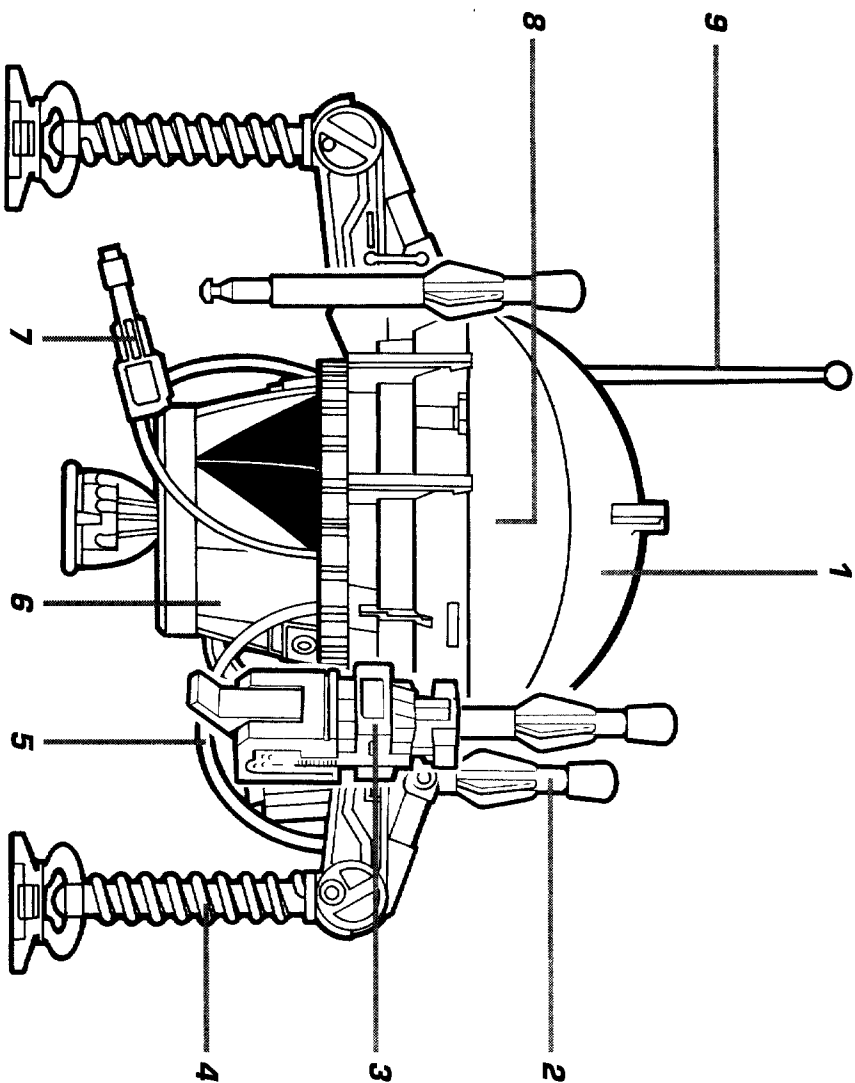
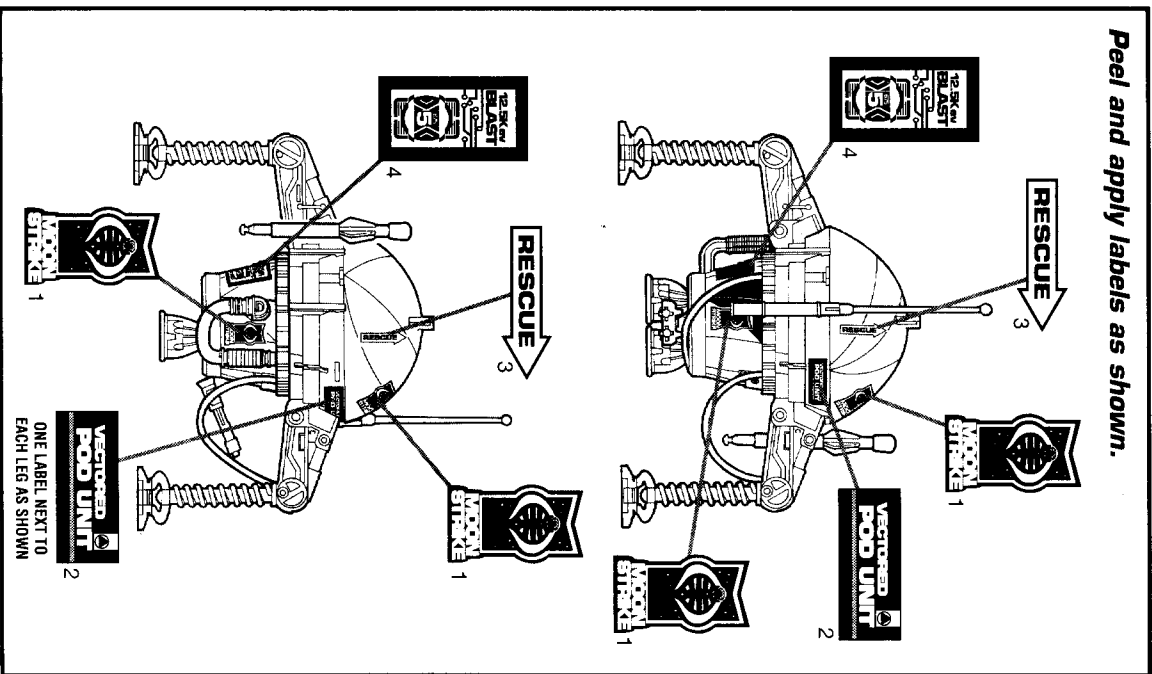
7. MISSILE LAUNCHER ASSEMBLY

Fit green missile launcher onto landing leg as shown. Insert green missile into barrel and lock in place. To fire, press trigger. CAUTION: DO NOT AIM WEAPON AT EYES OR FACE.

8. INSERTING FIGURE

Open green canopy and place figure (not included) into cockpit with his hands at the controls. Snap locks together to close canopy.

Peel and apply labels as shown.



INVADER™ OFFICIAL COBRA™ VEHICLE SPECIFICATIONS

1. OPENING COMMAND CANOPY
2. FOUR AIR-TO-GROUND EXPLODING MISSILES
3. SPRING-FIRED AIR-TO-GROUND MISSILE LAUNCHER
4. THREE LUNAR LANDING LEGS WITH SHOCK DISPERSAL DESIGN
5. LIQUID COOLED PROPULSION TUBING
6. INTERGALACTIC BODY ARMOR PLATING
7. POSITIONABLE LASER FIRE MACHINE GUN
8. COMBAT COMMAND INTERNAL BATTLE STATION
9. COSMIC COMMUNICATIONS TRANSMITTING ANTENNA

Product and colors may vary.
Approximate size of vehicle is 5 3/4" L x 5 3/4" W x 5 1/4" H.
©1993 Hasbro, Inc., Pawtucket, RI 02862 U.S.A. All Rights Reserved.
MADE IN USA.
6284 P/N 44336400