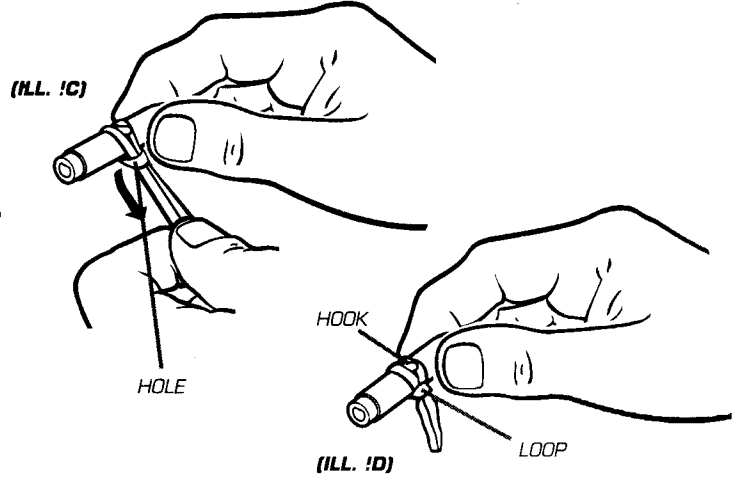
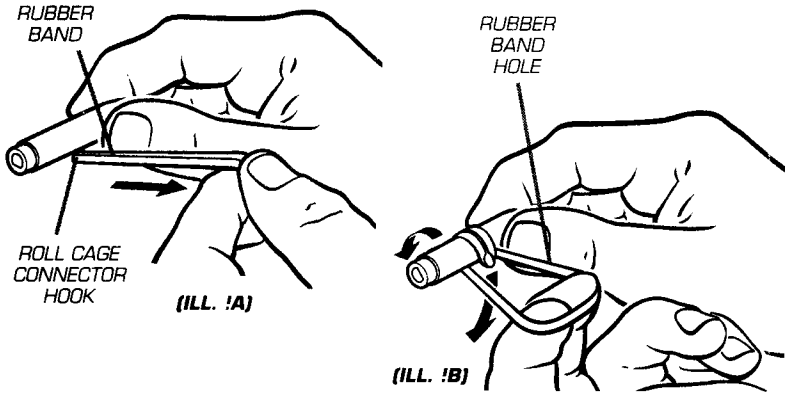
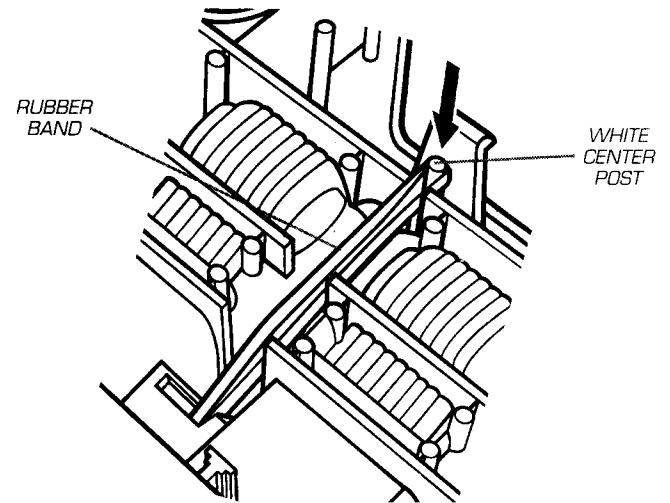
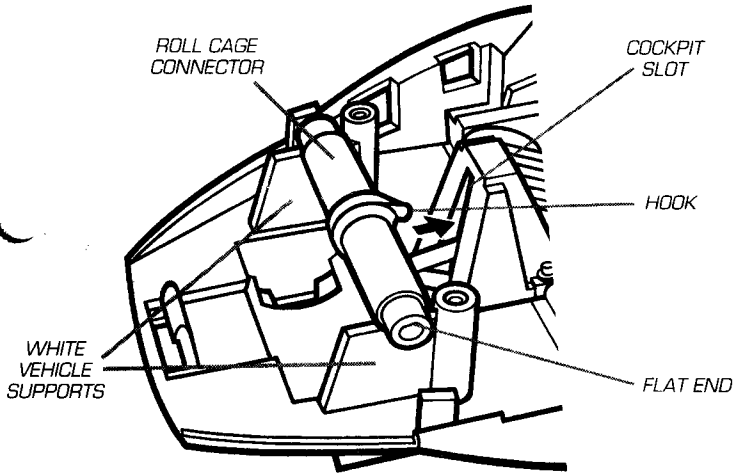


CONTAINS: Ice Snake vehicle, spring-action launcher, string, 2 missiles, grappling hook, 2 wheels, 2 skis, roll cage, rubber band, label sheet instructions. **CAUTION:** Do not aim weapon at eyes or face.



1 RUBBER BAND/CONNECTOR ASSEMBLY

Loop rubber band around blue roll cage connector hook with hook pointing down as shown (ILL. 1A). Pull rubber band over and around connector as shown (ILL. 1B). Take end of rubber band looped on the hook and pull through rubber band hole (ILL. 1C). Then tighten rubber band loop down onto hook as shown (ILL. 1D).

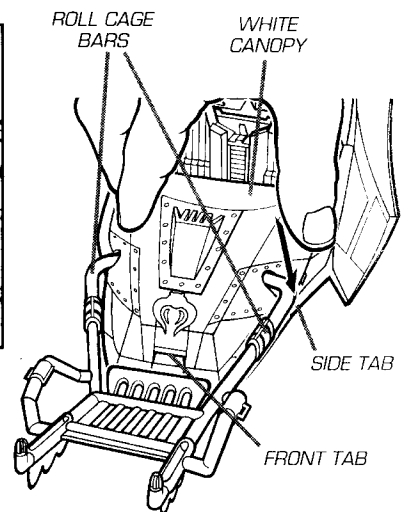
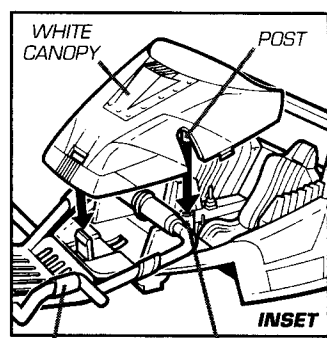
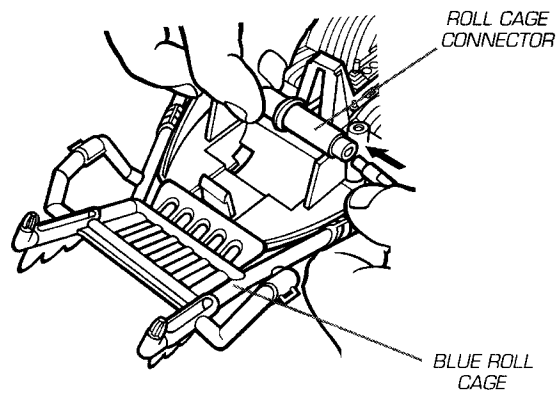


2 RUBBER BAND/CONNECTOR ASSY. CONT.

Rest ends of roll cage connector on white vehicle supports with connector hook pointing towards rear of vehicle as shown. Insert rubber band through slot in cockpit. **NOTE:** Make sure flat inside end of connector is facing up as shown.

3 RUBBER BAND/CONNECTOR ASSY. CONT.

Turn vehicle over and pull rubber band through slot. Loop rubber band onto white center post as shown.

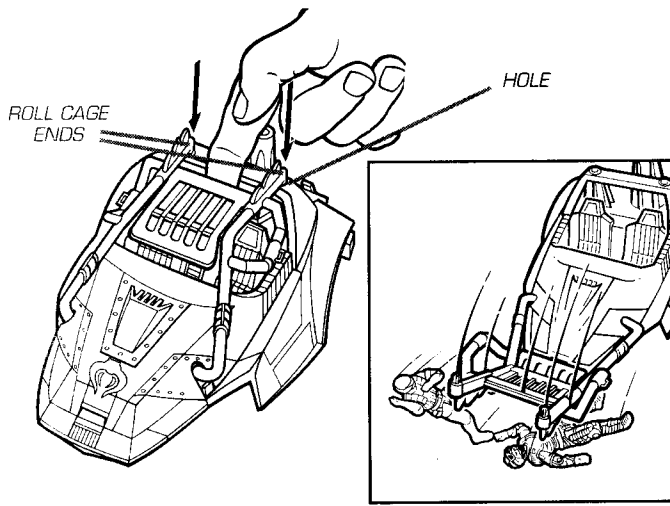


4 ROLL CAGE ASSEMBLY

Fit front ends of blue roll cage into ends of roll cage connector as shown. **NOTE:** If a replacement rubber band is used, it may be necessary to wind band to adjust proper tension.

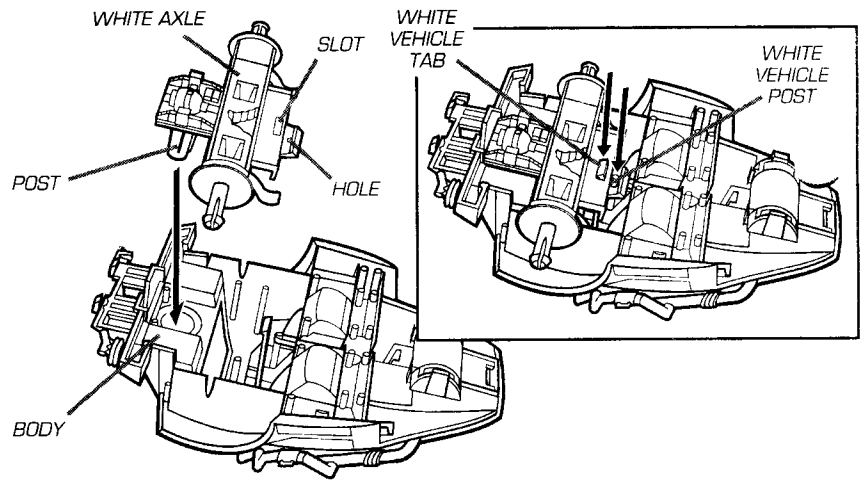
5 CANOPY ASSEMBLY

Lift roll cage and fit white canopy through roll cage bars as shown. Line up posts under canopy and guide into vehicle post holes (INSET). Press down on sides of canopy until front and side tabs snap into place.



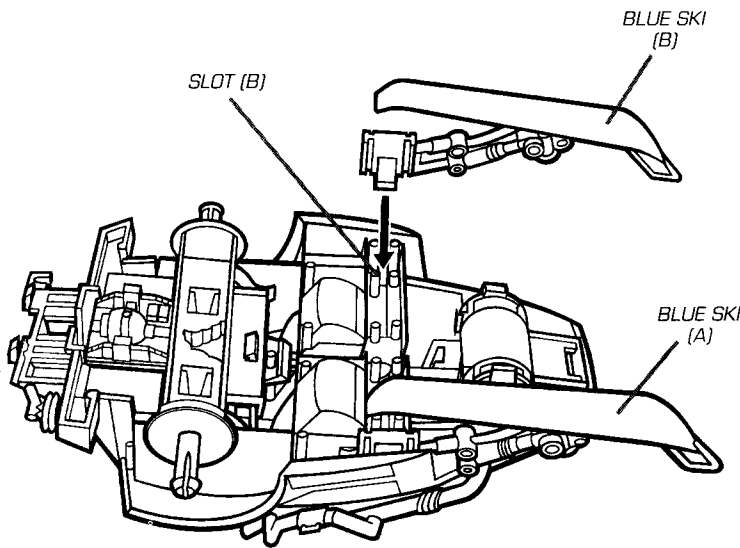
6 ACTIVATING ROLL CAGE

Back ends of roll cage fit into rear holes as shown. To activate, gently lift up on roll cage as shown.



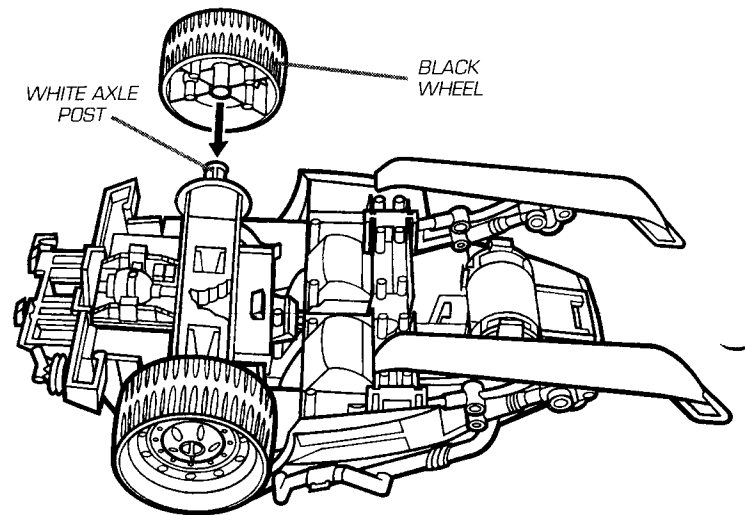
7 AXLE INSTALLATION

With vehicle turned upside down, guide post on white axle into white vehicle body as shown. Press down on axle until white vehicle tab and post snap into axle slot and hole as shown.



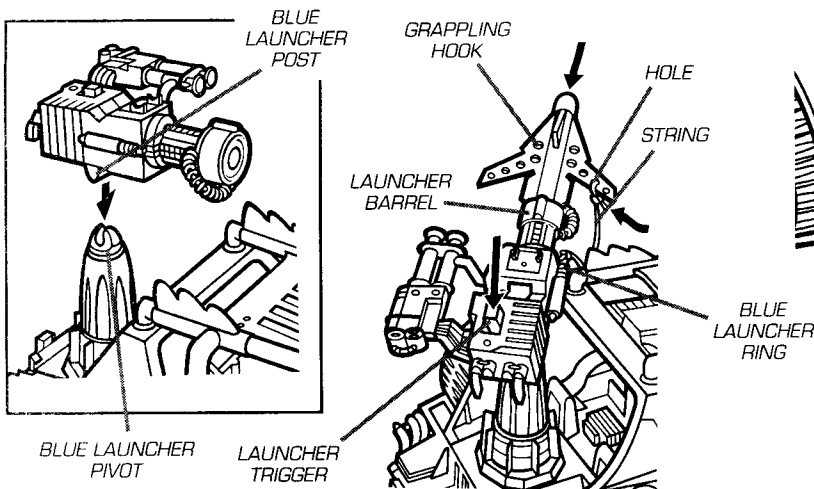
8 SKI ASSEMBLY

Match blue skis "A" and "B" with white vehicle slots "A" and "B" and press in place.



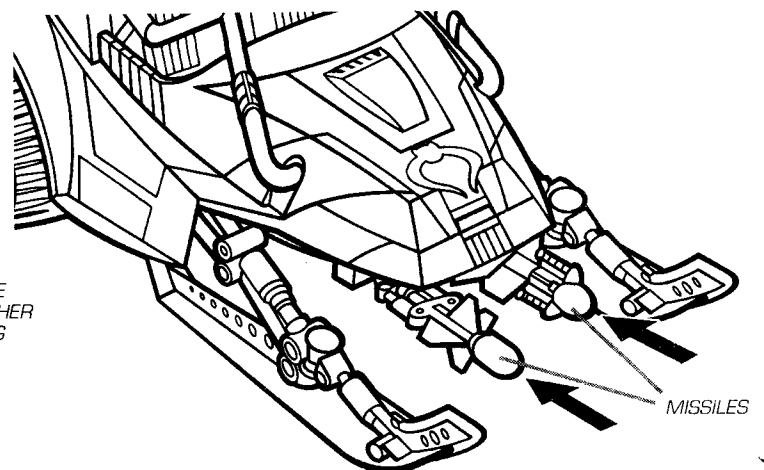
9 WHEEL ASSEMBLY

Snap the two black wheels onto the two white axle posts as shown.



10 LAUNCHER ASSEMBLY

Press blue launcher pivot into pivot hole as shown. Snap blue launcher post into launcher pivot. Insert grappling hook (or missiles) into launcher barrel as shown. Tie ends of string to blue launcher ring and blue grappling hook hole. To fire, press launcher trigger.

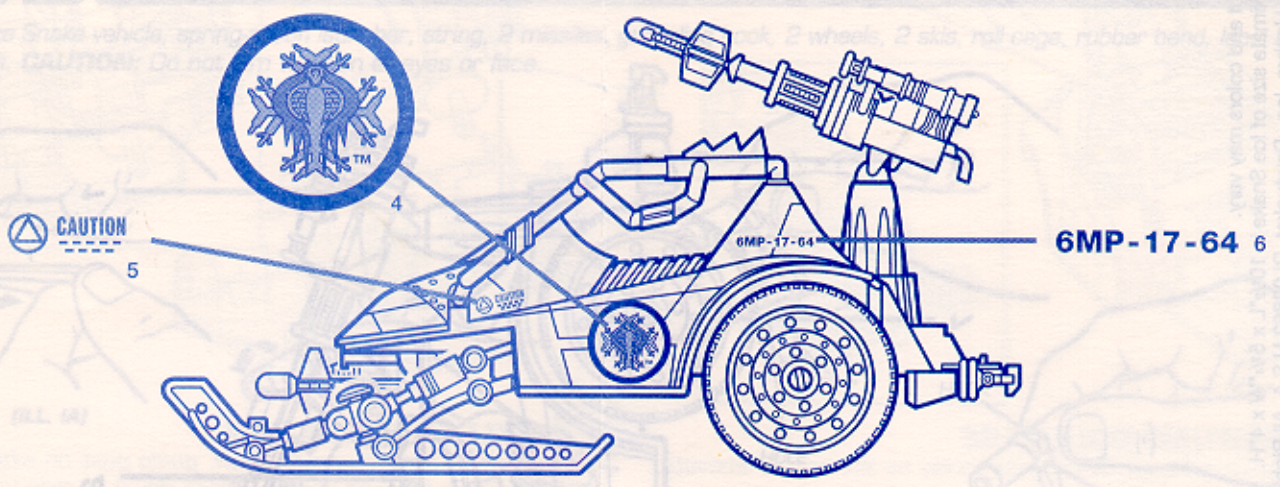


11 LAUNCHER ASSEMBLY

Missiles are stored in slots below front of vehicle. **CAUTION:** Do not aim weapon at eyes or face.

Peel and apply labels as shown.

ICE SNAKE INSTRUCTIONS

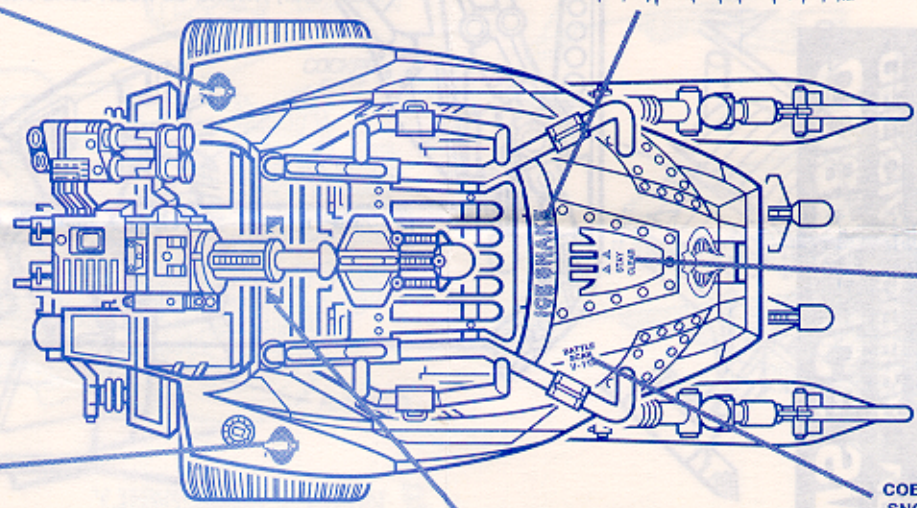


ROLL CAGE CONNECTOR



ROLLER BAND/CONNECTOR ASSY. CONT
of roll cage connector on white vehicle supports
hook pointing towards rear of vehicle as shown
and through slot in cage. NOTE: Make sure the
connector is facing up as shown.

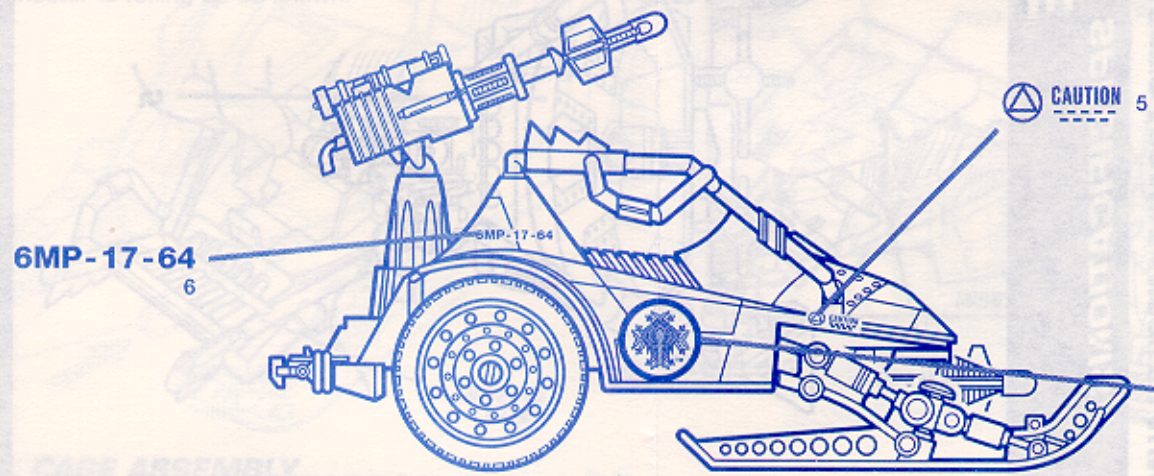
ICE SNAKE¹



▲▲ STAY CLEAR 7

COBRA SNOW HP-128 3

▲▲ LIFT ▲▲ 9



▲ CAUTION 5

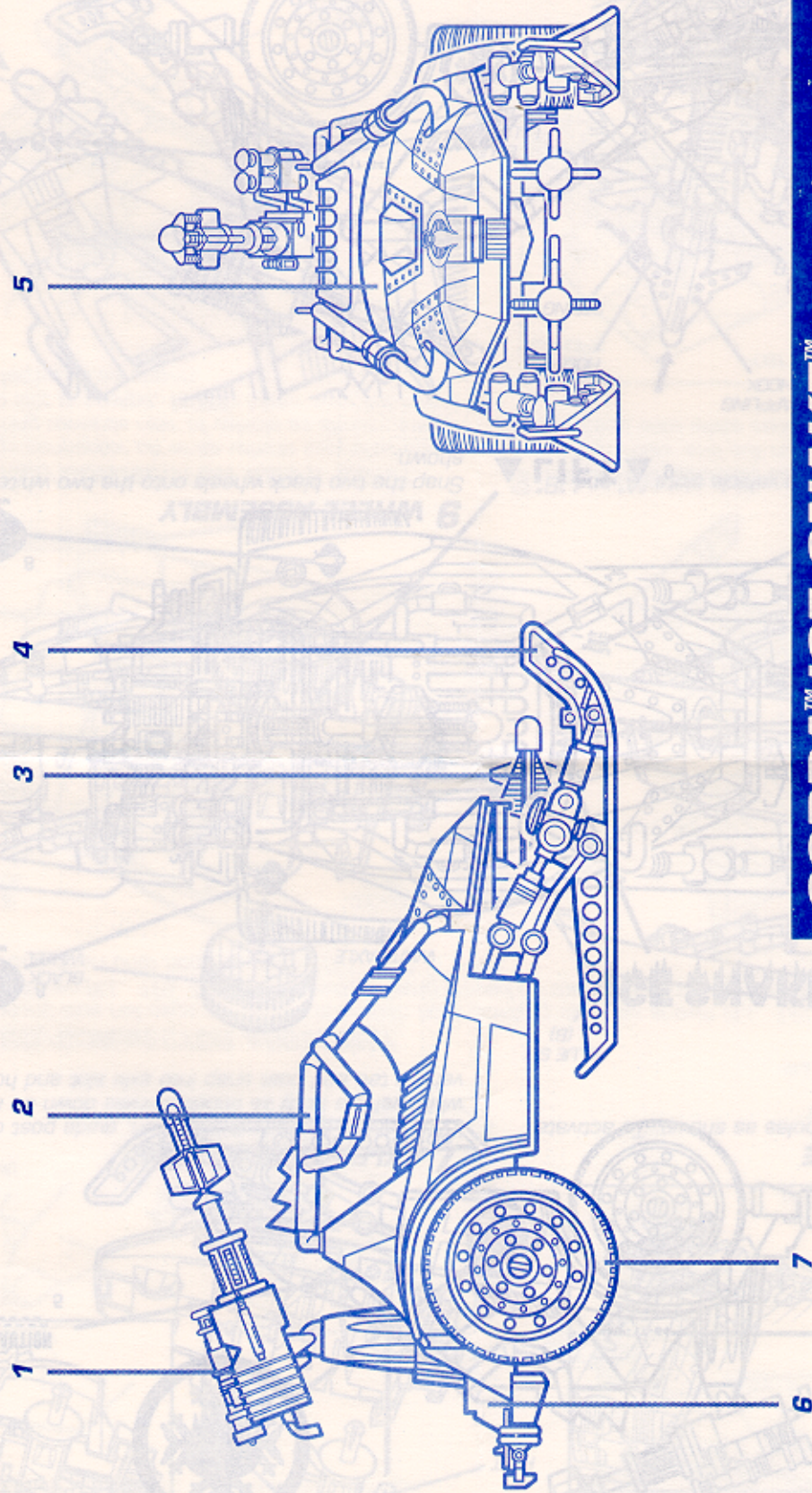


CAGE ASSEMBLY

Use roll cage and white vehicle supports
hook pointing towards rear of vehicle as shown
and through slot in cage. NOTE: Make sure the
connector is facing up as shown.

Copyright © 1994
Cobra Snow, Inc.
All rights reserved.
Cobra Snow is a registered trademark of Cobra Snow, Inc.
Cobra Snow, the Cobra logo, and the Ice Snake logo are trademarks of Cobra Snow, Inc.

GIROFF
A COBRA™ COMMAND WEAPON



COBRA™ ICE SNAKE™ **OFFICIAL COBRA™ VEHICLE SPECIFICATIONS**

- 1) **SPRING-ACTION, 360° ROTATING ARCTIC-ASSAULT MISSILE LAUNCHER**
- 2) **ROLL CAGE CANOPY WITH JAW SNAPPING, FLIP-TOP ACTION**
- 3) **LOW-PROFILE FRONT STORAGE FOR 2 MISSILES**
- 4) **"ICE SLICE" ALL-WEATHER SUSPENSION SKIS**
- 5) **COBRA ARCTIC COCKPIT HOLDS 2 COBRA VIPERS**
- 6) **REAR PLATFORM HOLDS 2 COBRA VIPERS**
- 7) **TUNDRA-TRACTION HEAVY-DUTY TREADS**

Product and colors may vary.
Approximate size of Ice Snake is 10½" L x 5¾" W x 4" H.
©1992 Hasbro, Inc., Pawtucket, RI 02862 U.S.A. All Rights Reserved.
MADE IN U.S.A.
6887 P/N 43-405900