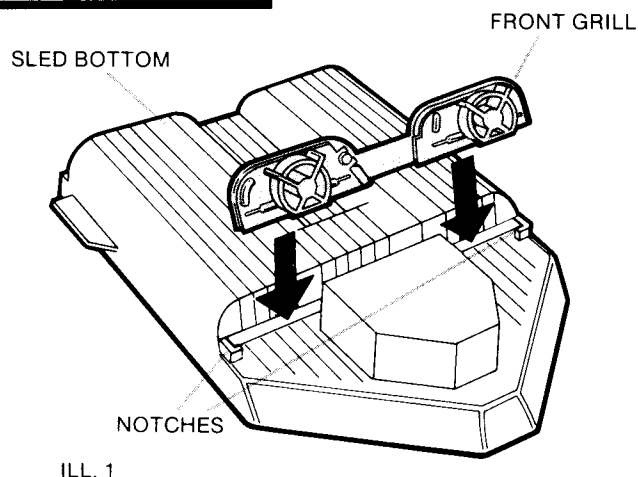


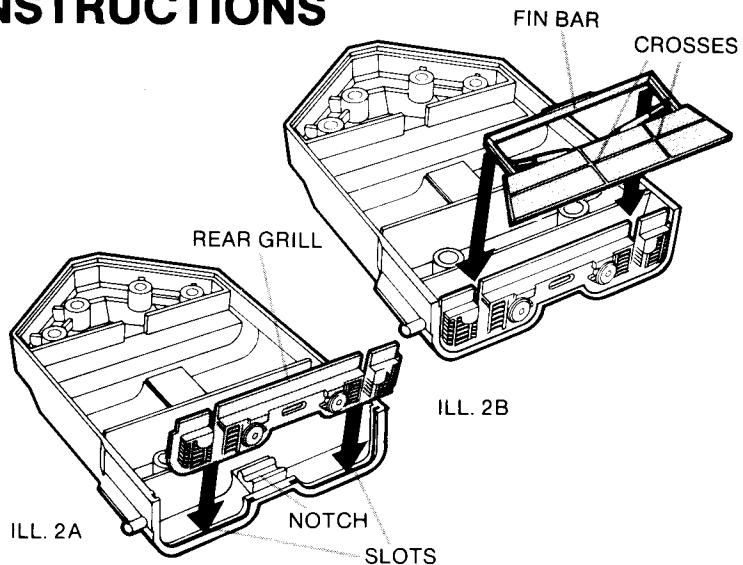
6682/6080

Remove all pieces from plastic frames. If you have difficulty, use safety scissors.

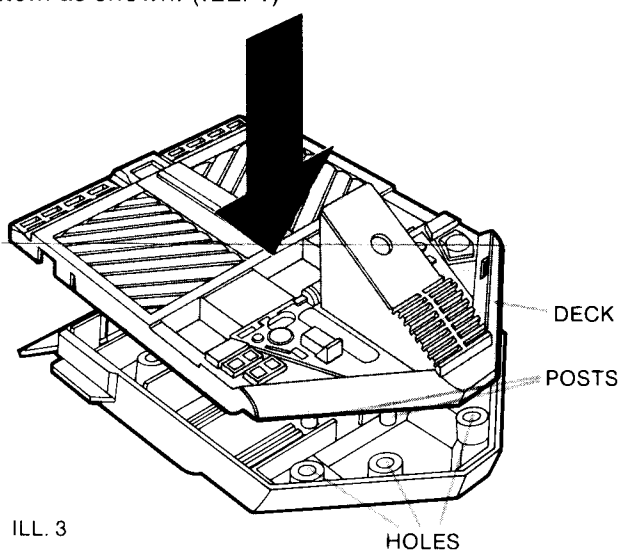
HYDRO-SLED INSTRUCTIONS



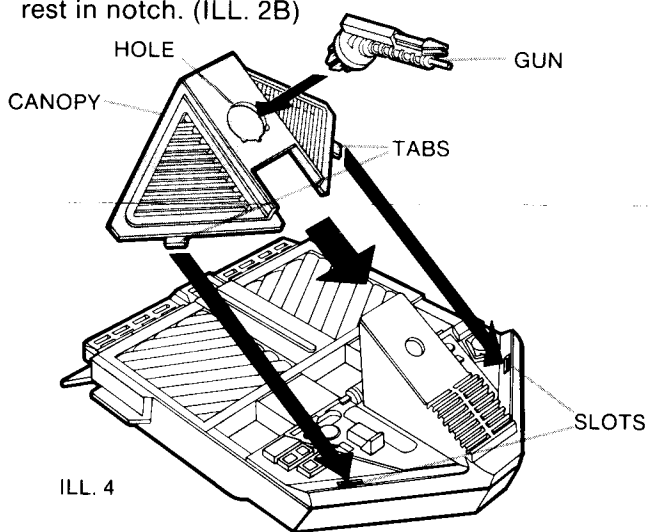
1 Slide front grill into notches underneath sled bottom as shown. (ILL. 1)



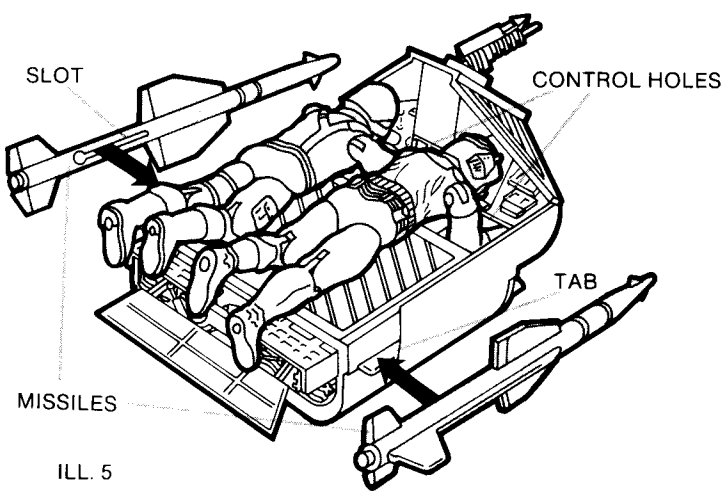
2 Turn sled bottom right side up. Slide rear grill into slots in sled bottom. (ILL. 2A) With crosses facing up, place fin bar over grill and rest in notch. (ILL. 2B)



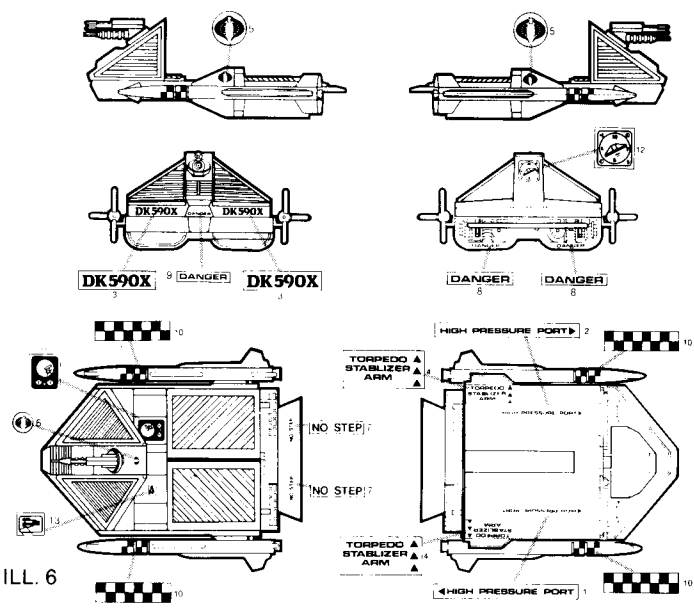
3 Insert posts on deck into holes in sled bottom. Press together. (ILL. 3)



4 Slide tabs on canopy into slots in front of deck. Snap gun into hole in canopy. (ILL. 4)



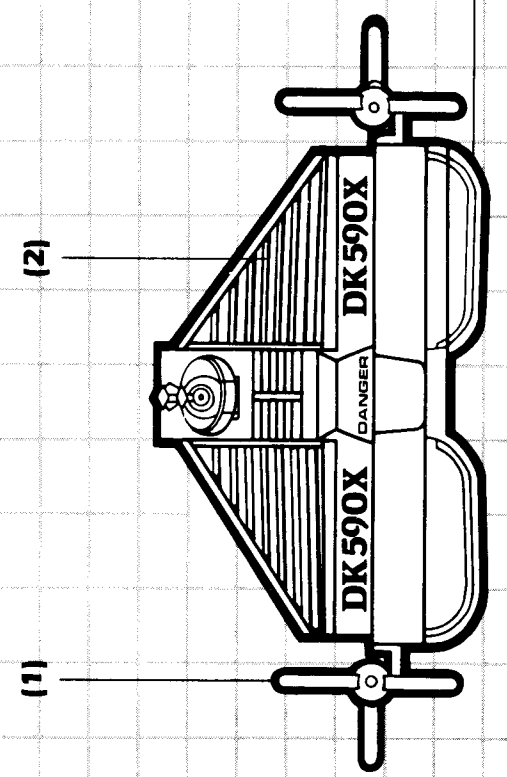
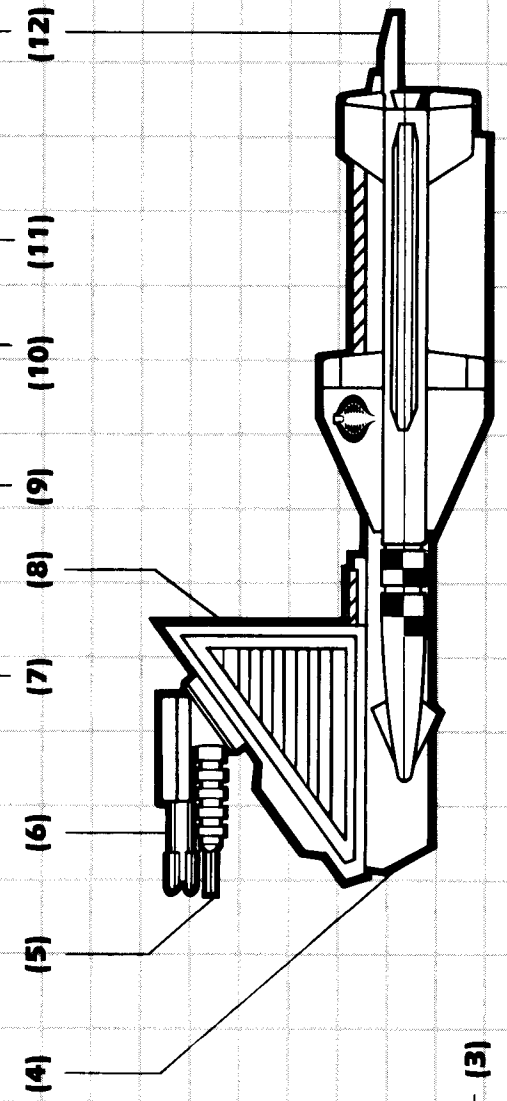
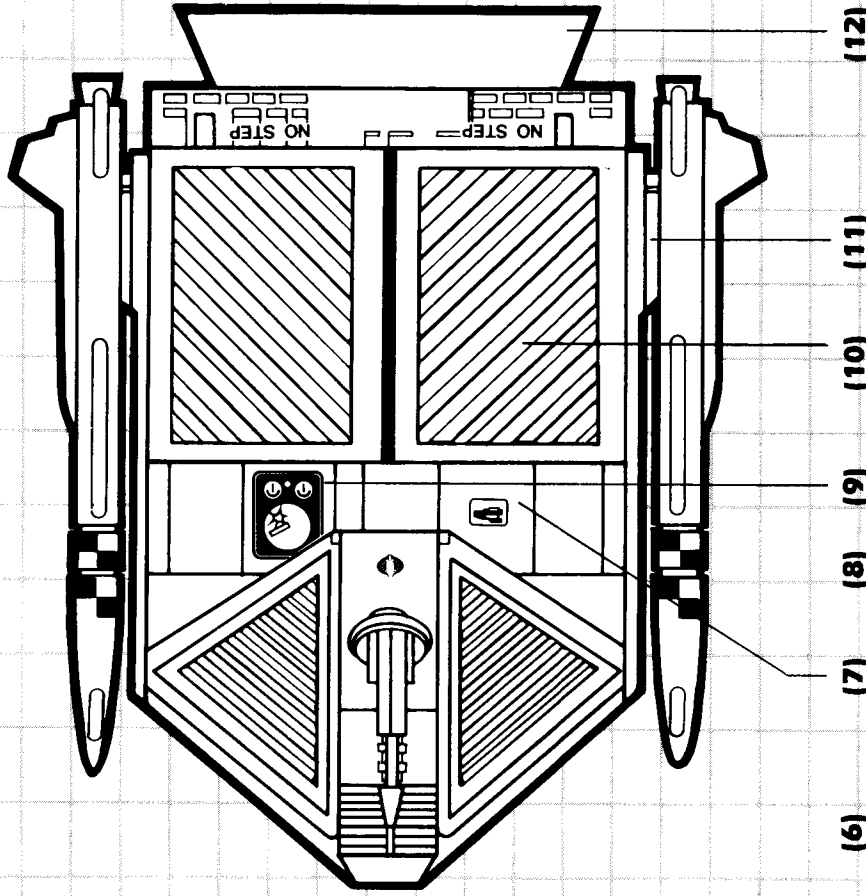
5 Press slots in missiles over tabs on each side of sled. Place two Cobra figures in prone position with hands in control holes as shown. IT FLOATS! (ILL. 5)



6 Peel and apply labels as shown. (ILL. 6)

HYDRO-SLED

- 1) TWO OPTICALLY-GUIDED "SUNK" TORPEDOES
- 2) EXTENDED SPACE FRAME WATER SHIELD
- 3) DC-OPERATED "EXCITER" HYDRO-JET
- 4) VINYL LAMINATE REINFORCED HULL
- 5) RAPID-FIRE 9MM CANNON
- 6) "SNAG" WIRE-GUIDED SPEAR GUN
- 7) THERMAL IMAGING SCANNER
- 8) NAVIGATIONAL SYSTEM MONITOR-PRESSURE TESTED
- 9) BALLISTIC TARGETING MONITOR
- 10) NYLON MICROMESH BODY PAD
- 11) TORPEDO ELEVATION/STABILIZER ARM
- 12) AUTOMATIC DIRECTIONAL TRIM TAB



DK590X

DANGER

DK590X