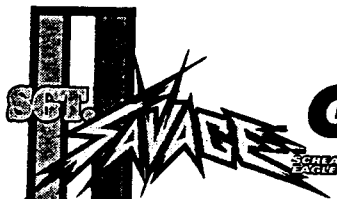


Ages: 5 & Up

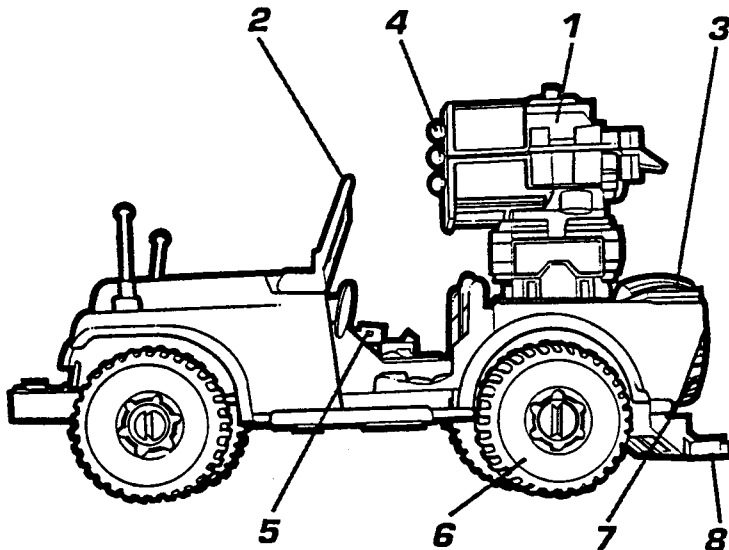


GRIZZLY SS-1™ Instructions

Contains: Grizzly SS-1™ Body, Hood Section, Twin Launcher, Launcher Turret Halves (2), Missiles (2), Windshield, Ammo Box, Machine Gun, Machine Gun Pivot, 5 Tires, Rear Axle With Bumper, 2 Antennae (flag posts), Steering Wheel and Label Sheet.

BLUEPRINT OFFICIAL VEHICLE SPECIFICATIONS

1. TWIN, 360° ROTATING MISSILE LAUNCHER
2. FOLDING WINDSHIELD
3. REMOVABLE AMMO BOX
4. TRIPLEX MISSILE (2)
5. MODIFIED M-60 MACHINE GUN
6. REMOVABLE PUNCTURE-PROOF TIRES
7. REMOVABLE SPARE TIRE
8. BUMPER HOLDS 3 FIGURES

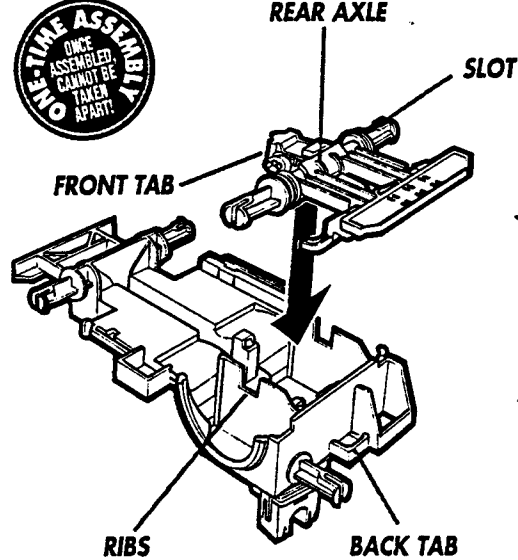


Remove all pieces from plastic frames. If you have difficulty, use safety scissors.

CAUTION: Do not point weapons at eyes or face.

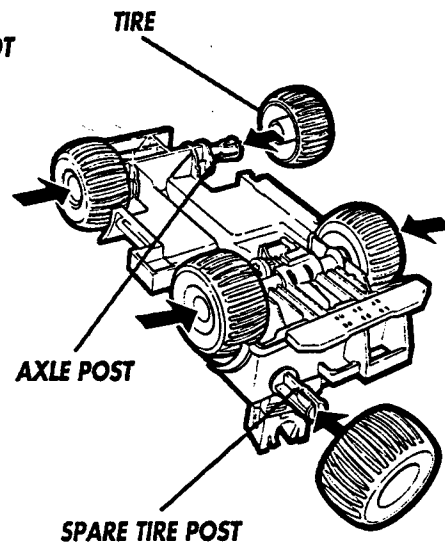
WARNING: Contains Small Parts Which Pose a Choke Hazard For Children Under the Age of Three.

GLIDE
A G.I. JOE™ BRAND
HASBRO TOYS, INC. 1987



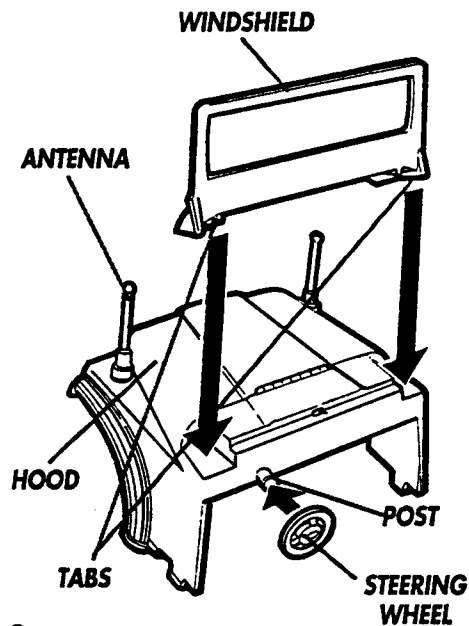
1. REAR AXLE ASSEMBLY

Turn vehicle body over. Align axle slots with vehicle ribs and snap front axle tab into place. Snap back axle tab into place.



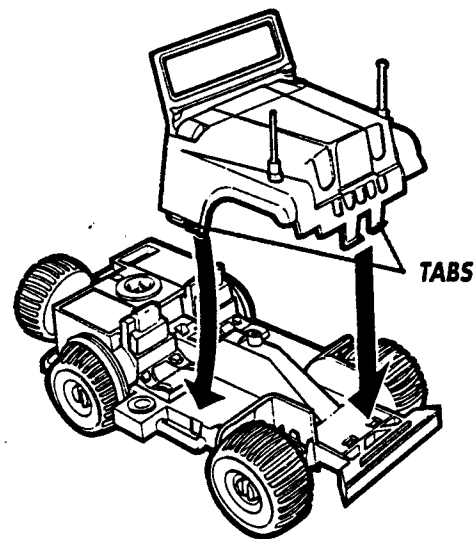
2. TIRE ASSEMBLY

Snap tires (4) onto axle posts. Snap remaining tire onto spare tire post. Tires are removable. Turn vehicle right side up.



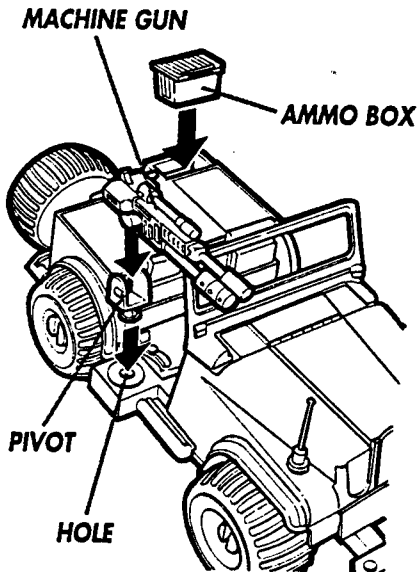
3. HOOD ASSEMBLY

Insert windshield tabs into hood. Snap steering wheel onto post. Snap antennae/flag posts (2) into holes as shown.



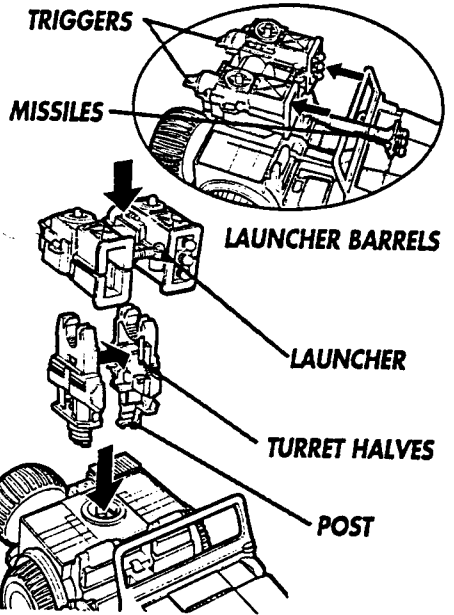
4. HOOD ASSEMBLY CONT.

Snap front and side hood tabs into vehicle body.



5. MACHINE GUN/AMMO BOX

Snap machine gun pivot into hole in right side of vehicle. Snap machine gun into pivot. Ammo box stores in rear of vehicle.



6. ASSEMBLY/FIRING LAUNCHER

Snap turret halves together. Snap turret post into hole. Snap twin launcher onto turret as shown. Insert missiles into barrels. To launch, press triggers.

Peel and apply labels as shown.

