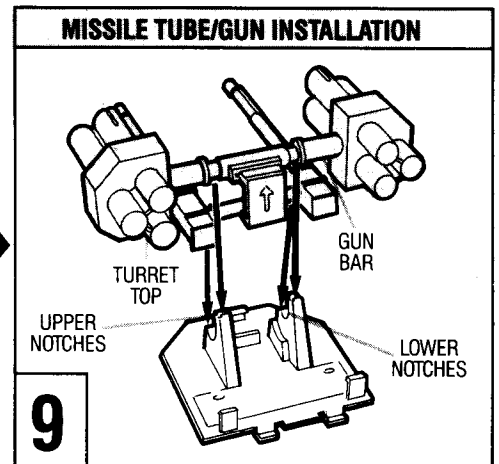
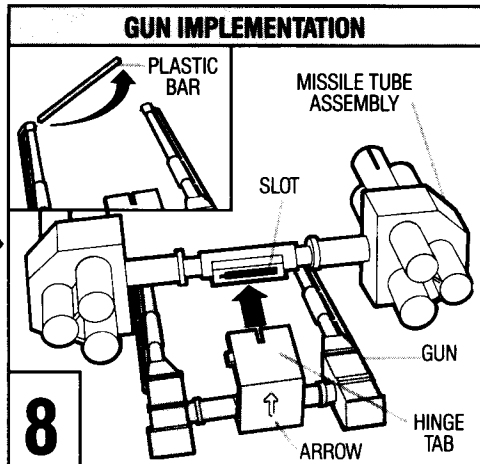
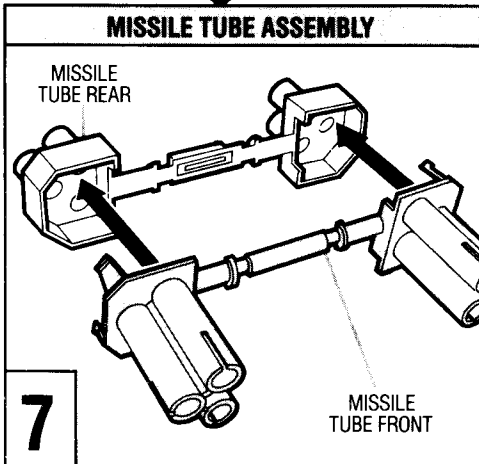
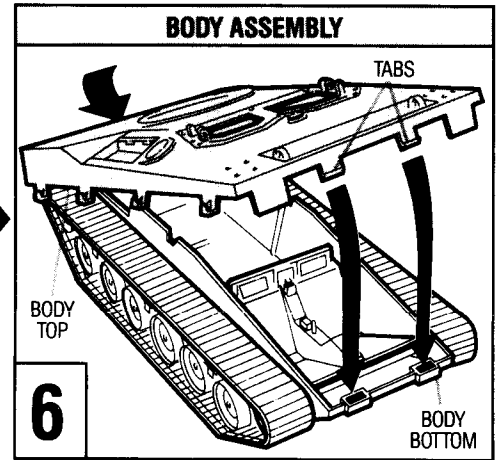
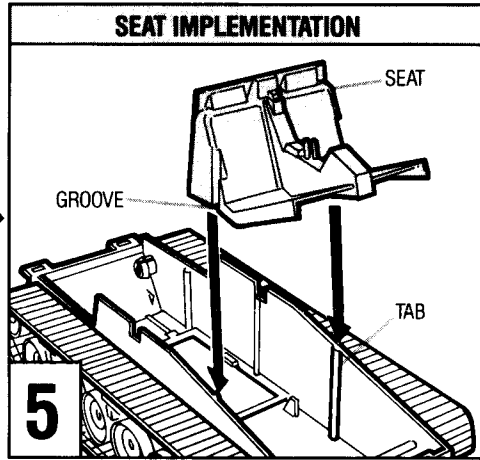
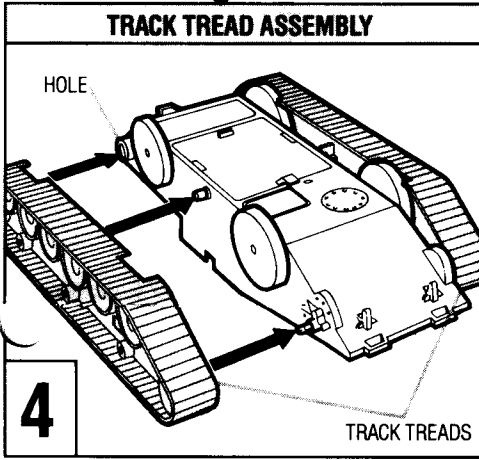
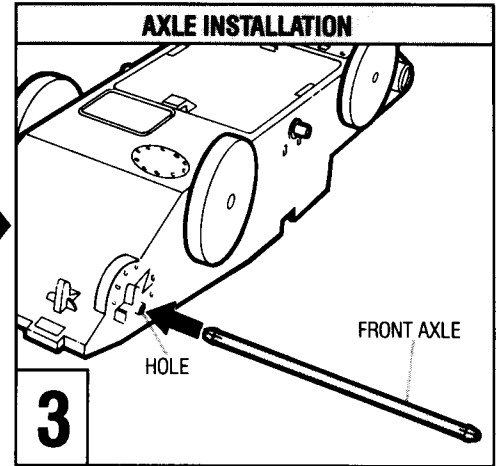
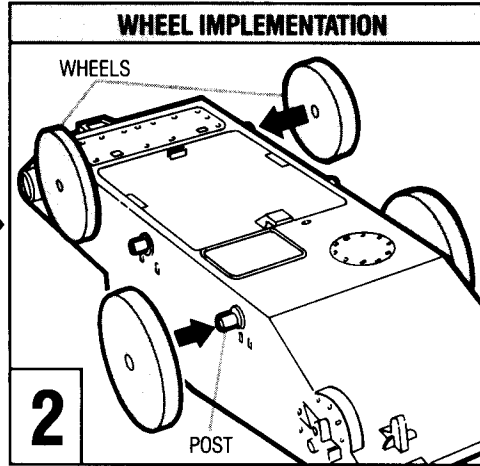
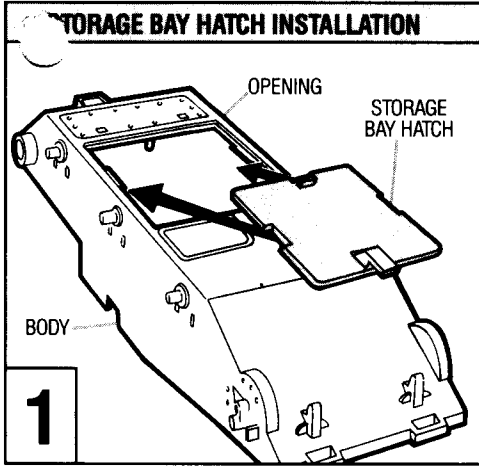
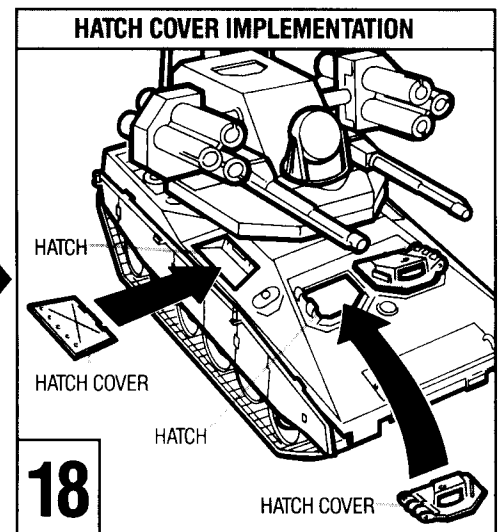
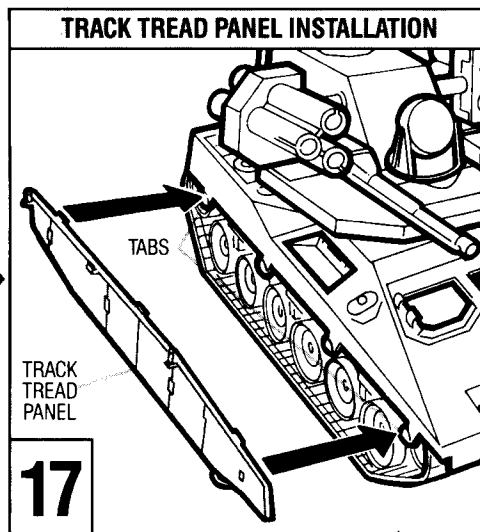
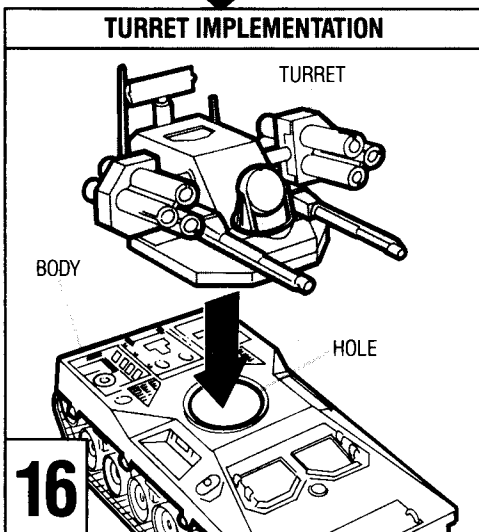
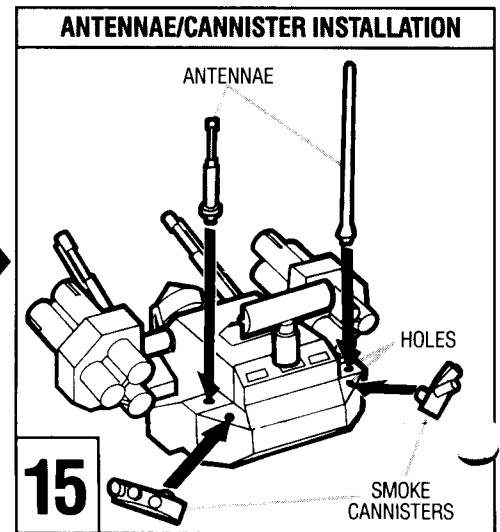
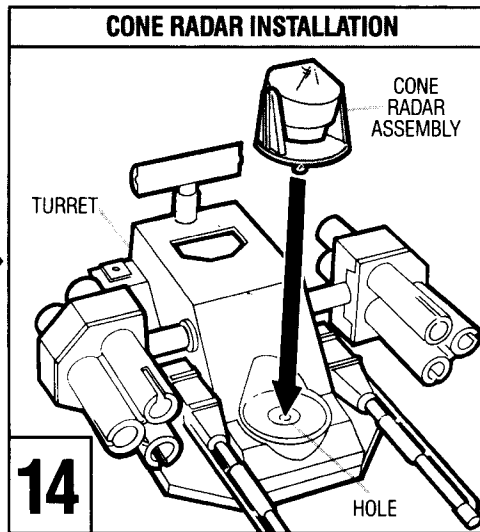
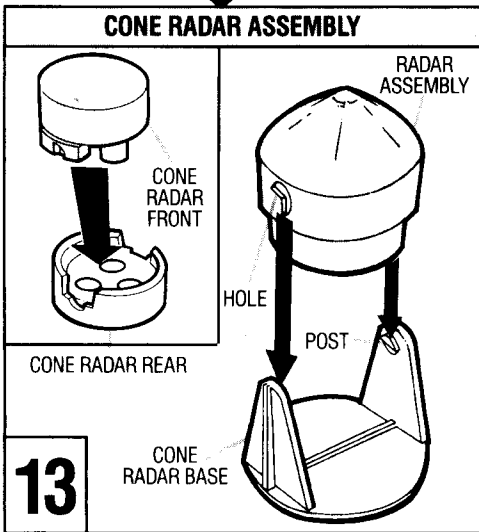
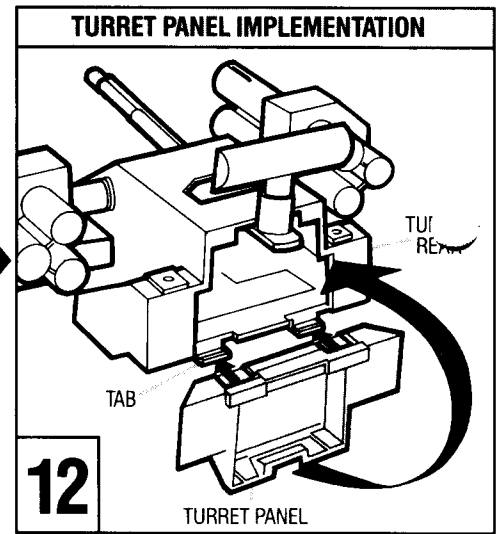
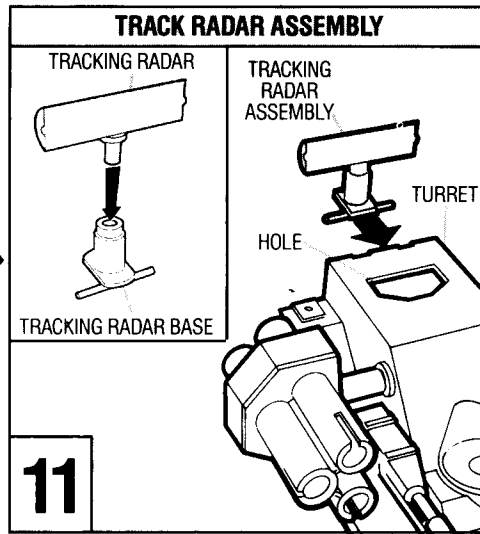
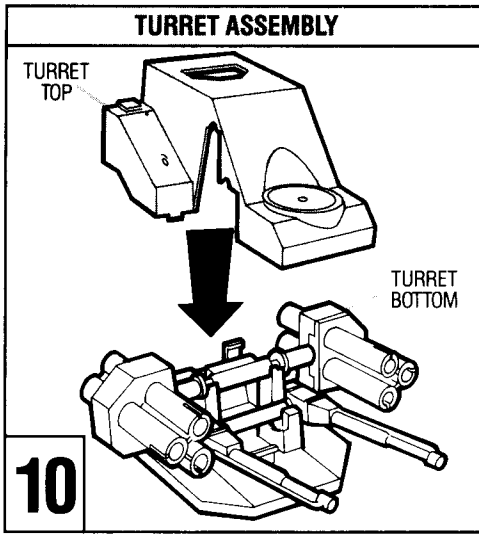


6719



- 1** Turn body bottom upside down. Slide storage bay hatch into opening as shown. (ILL. 1)
- 2** Fit wheels over posts on body sides. (ILL. 2)
- 3** Slide front axle through aligned holes in body bottom front end as shown. (ILL. 3)
- 4** While placing front axle into hole in right front track tread, marked "R", snap post on rear of track tread into hole in body rear as shown. Repeat for left track tread. (ILL. 4)
- 5** Slide groove in seat over tabs in front end of body bottom. (ILL. 5)
- 6** Snap tabs on body top rear into holes in body bottom rear, then swing down body top front end and snap together. (ILL. 6)
- 7** Snap missile tube front and rear halves together as shown. (ILL. 7)
- 8** Remove plastic connector bar from gun. (INSET) With rear section of gun facing you, slide hinge tab on gun through slot in missile tube. (NOTE: Be sure small tab on left side of hinge is aligned with small slot in missile bar as shown and that engraved arrow on hinge is pointing upward.) (ILL. 8)
- 9** Fit gun bar between lower notches on turret bottom, then fit missile tube bar between upper notches as shown. (ILL. 9)



10 Snap turret top over turret bottom. (ILL. 10)

11 Snap tracking radar into hole in tracking radar base. (INSET) Snap base into rear end of turret as shown. (ILL. 11)

12 Snap tabs on turret into slots in lower turret panel, then swing upward and snap panel into holes in top of turret rear as shown. (ILL. 12)

13 Snap cone radar front over cone radar rear. (INSET) Snap holes on sides of radar onto posts on cone radar base. (ILL. 13)

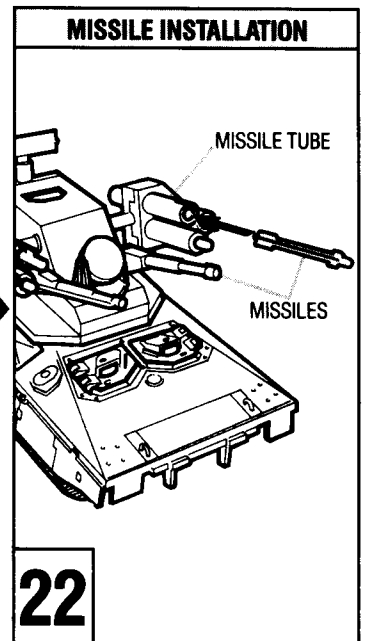
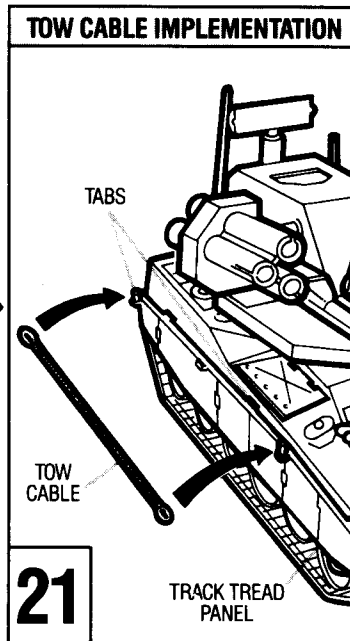
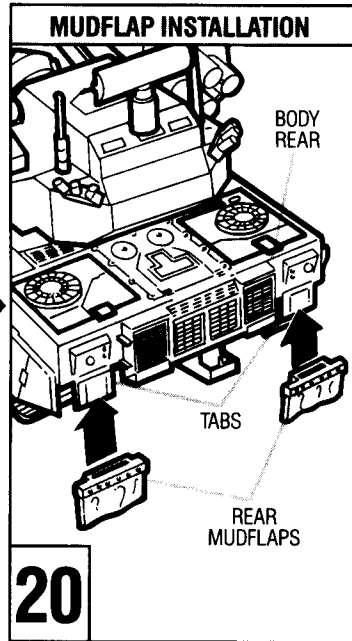
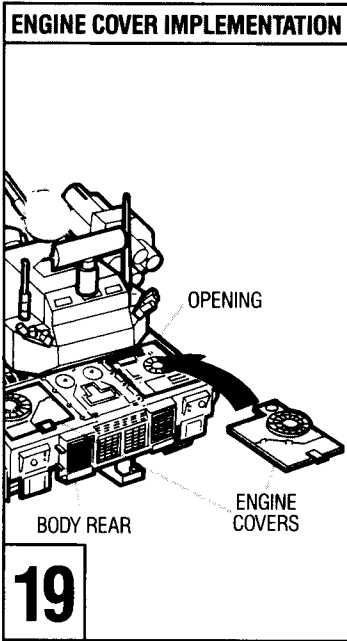
14 Snap cone radar base into hole in turret front. (ILL. 14)

15 Fit antennae and smoke cannisters into holes in turret rear as shown. (ILL. 15)

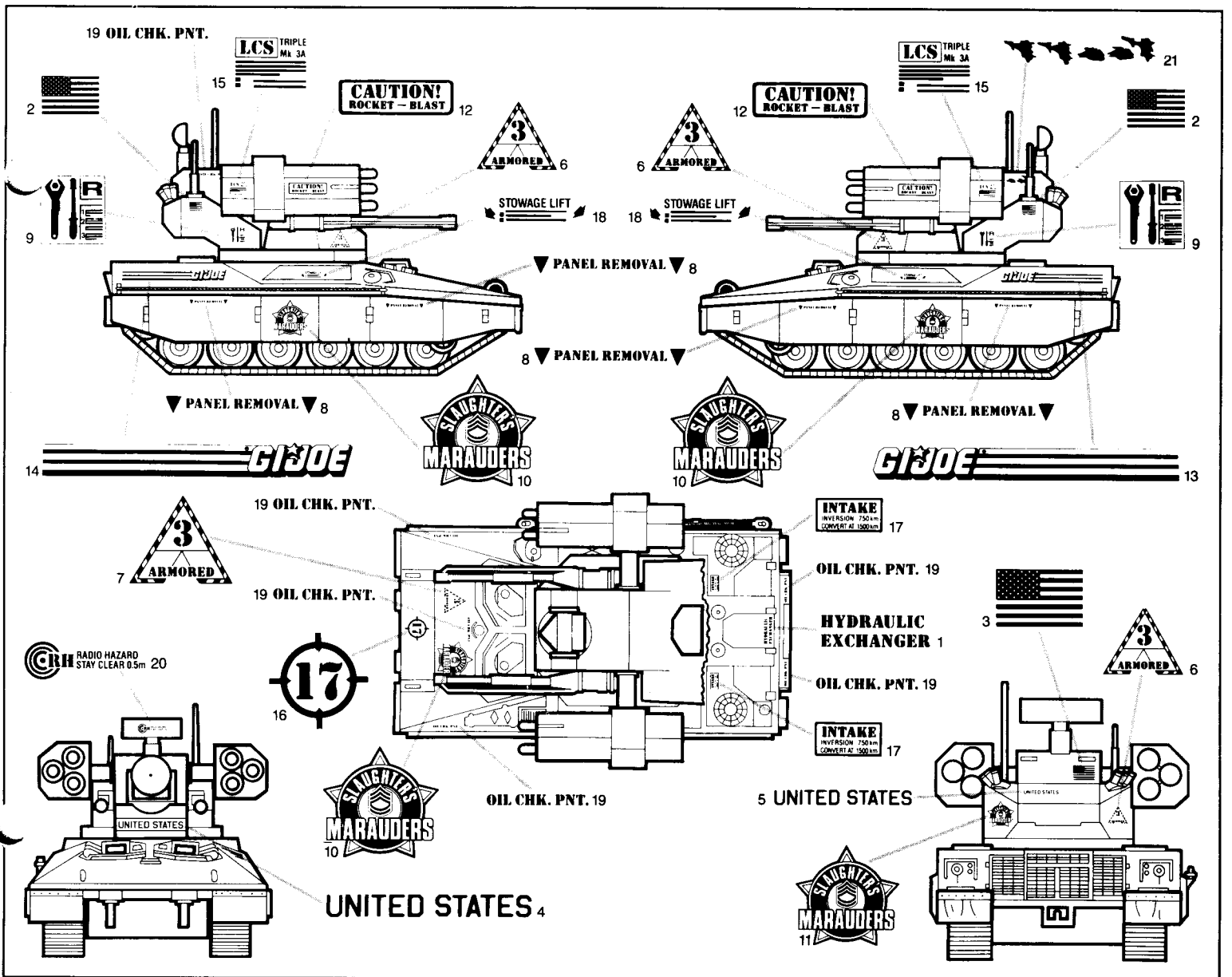
16 Snap turret onto body as shown. (ILL. 16)

17 Fit right track tread panel, marked "R", over tabs on right body side. Repeat for left track tread panel. (ILL. 17)

18 Snap hatch covers over hatches in body front and sides as shown. (ILL. 18)



- 19 Snap engine covers over engine openings in body rear. (ILL. 19)
- 20 Fit front mudflaps over tabs on body front end. Repeat for rear mudflaps. (ILL. 20)
- 21 Fit tow cable over tabs on track tread panel. (ILL. 21)
- 22 Slide missiles into missile tubes as shown. Make sure large fin on each missile slides through slot in each missile tube. (ILL. 22)





SLAUGHTER'S MARAUDERS™ EQUALIZER™

- 1) TECHNOLOGICALLY ENHANCED, DIGITAL RADAR INDICATORS
- 2) LONG-RANGE TELECOMMUNICATIONS ATMOSPHERIC ANTENNA
- 3) METAL-SMASHING, ALL-TERRAIN TRACK TREADS
- 4) REINFORCED ELECTRO-PLATED DRAG HOOKS
- 5) STRATEGICALLY ANGLED, DRIVER'S MODULE FOR ARMAMENTS FIRE-CONTROL
- 6) DUAL-PULSATING, M-80A ANTI-LOCK MACHINE GUNS
- 7) LOW-NOISE, HIGH EFFECT, SURFACE-TO-AIR MISSILES
- 8) EARLY WARNING, HEAT-SENSITIVE RADAR WITH SONIC BOOSTERS
- 9) PIVOTING LAUNCH SYSTEM FOR SIMULTANEOUS LAUNCH OPERATIONS
- 10) MAGNA-STEEL HULL WITH HOUSING FOR ULTRA-TECH WEAPONRY
- 11) LEVEL-DRAG, VEHICLE TRANSPORTATION TOW HOOK CABLE
- 12) INTERCONTINENTAL, TRANSMISSIONS ANTENNA WITH ANTI-STATIC ACTUATOR
- 13) COMPUTER-ENHANCED, ROBOTICALLY OPERATED, INFRARED IDENTIFICATION LIGHT
- 14) LASER PROJECTED GRENADE LAUNCHERS WITH TRACTOR BEAM TARGET LOCATORS

