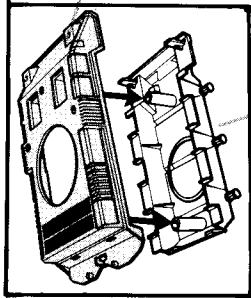
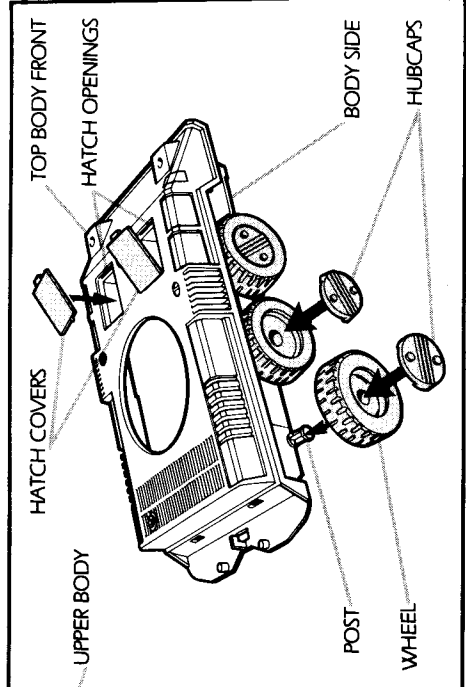


Remove all pieces from plastic frames if you have difficulty use safety scissors.



LOWER BODY

1



TOP BODY FRONT

UPPER BODY

HATCH COVERS

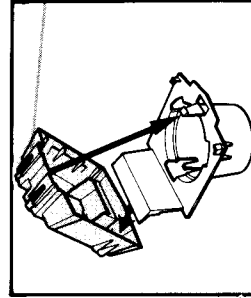
HATCH OPENINGS

BODY SIDE

HUBCAPS

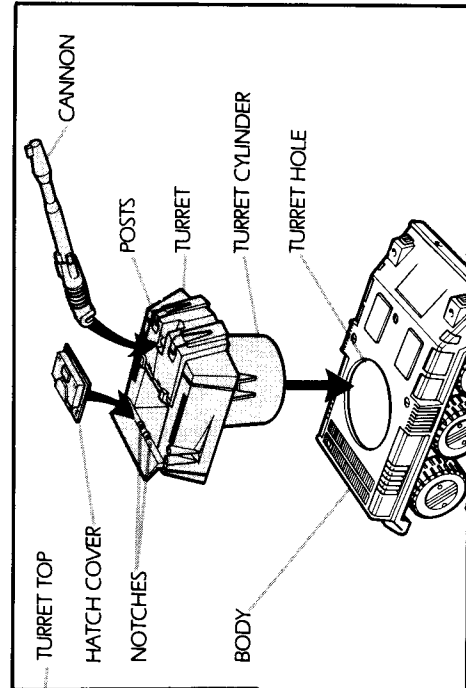
POST

WHEEL



TURRET BOTTOM

2



TURRET TOP

HATCH COVER

NOTCHES

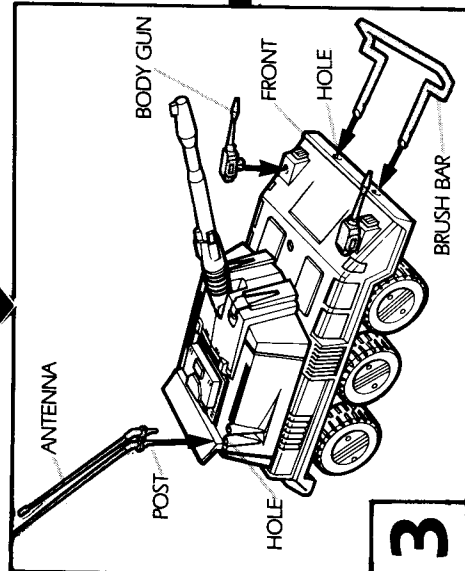
POSTS

TURRET

TURRET CYLINDER

TURRET HOLE

BODY



ANTENNA

POST

HOLE

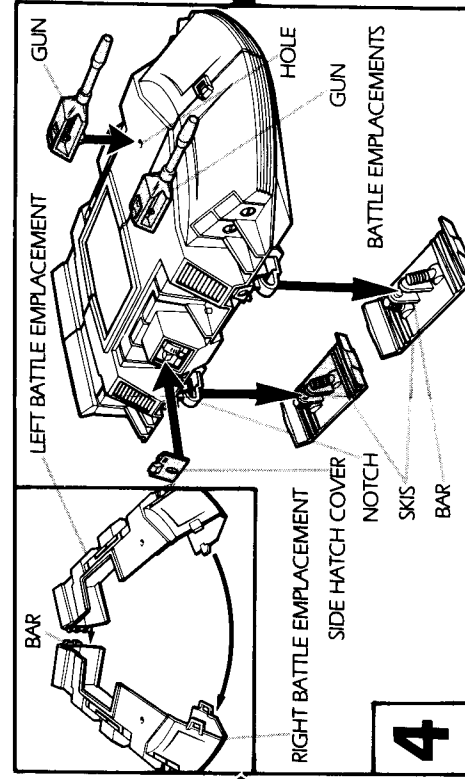
BODY GUN

FRONT

HOLE

BRUSH BAR

3



LEFT BATTLE EMPLACEMENT

RIGHT BATTLE EMPLACEMENT

SIDE HATCH COVER

NOTCH

SKIS

BAR

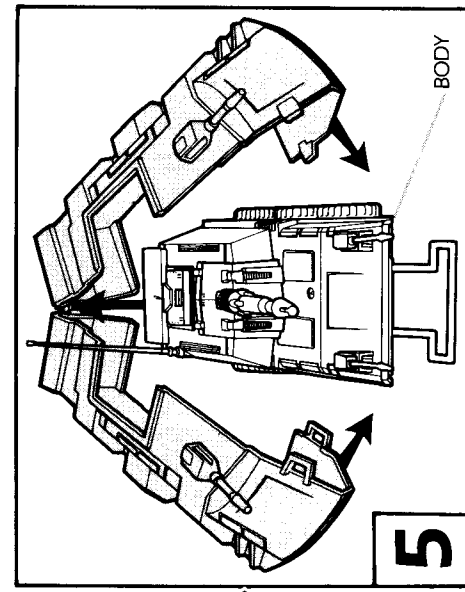
GUN

HOLE

GUN

BATTLE EMPLACEMENTS

4

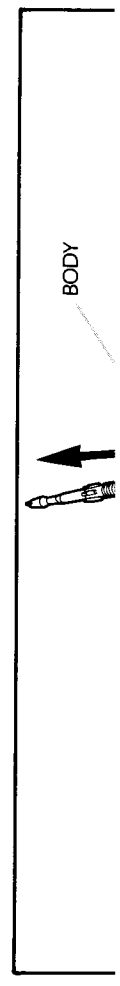


BODY

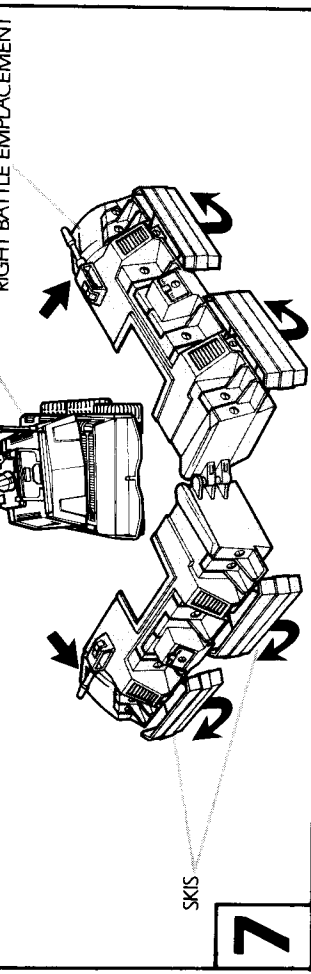
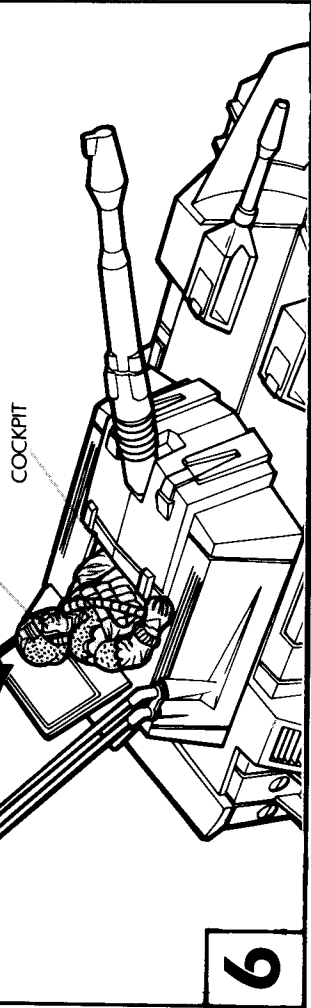
5



"AVALANCHE"  
(sold separately)



BODY



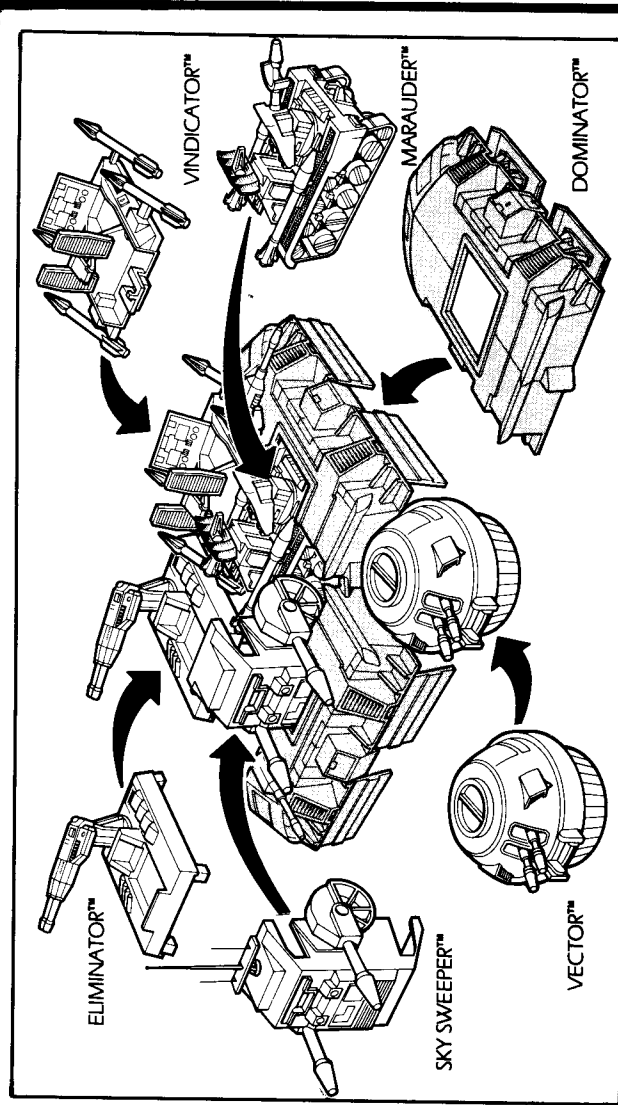
1. Snap posts on lower body into holes in upper body. (INSET) Snap hubcaps onto wheels. Snap hatch covers into hatch openings in top of body front.
2. Snap turret top to turret bottom. (INSET) Fit turret cyclinder in hole in body. Snap cannon onto posts in turret. Snap turret hatch cover into notches in rear of hatch opening.
3. Snap brush bar into holes in front end of body. Snap small body guns into holes in front end of body. Snap antenna posts into holes in side of turret. (ILL. 3)
4. Snap bar on left battle emplacement into notch in right battle emplacement. (INSET) Snap right and left side hatch covers onto side hatches. Snap bars on skis (4) into notches on sides. Snap large guns into holes in battle emplacements. (ILL. 4)
5. Fit body inside battle emplacements as shown, then snap emplacements together. (ILL. 5)
6. Fit Battle Force 2000 figure into cockpit. (Dominator driver, AVALANCHE™, sold separately.) (ILL. 6)
7. To form the battle emplacements for the Future Fortress, swing up skis. Open the right and left emplacements and remove the battle emplacements and set up the battle emplacements in an "L" shape as shown. (ILL. 7)

## FUTURE FORTRESS INSTRUCTIONS:

Collect all 6 Battle Force 2000 vehicles to form the ultimate stronghold . . .  
Future Fortress™!

The six prototype attack vehicles combine to form the most indestructible stronghold in the world . . . the Battle Force 2000 Future Fortress™! Dominator's side walls open, creating the fortress' battle emplacements. With the emplacements secured, Vector's battle turret jettisons from the fighter and lands in between the wall to form the corner! To safeguard the left emplacement with flank firepower, Sky Sweeper's Sentry Post stands guard behind the emplacement with its powerful cannons poised for action! While providing tactical air cover during the fortress' "link-up" operations, Vindicator's rocket sled is ejected from the craft and deployed on the fortress' northeast flank! Marauder's tank churns through the mud to secure itself behind Dominator's right battle emplacement, ready to open fire on the Cobra invaders! Just as Marauder's tank assumes its battle station, Eliminator's highly lethal battle platform moves in behind the tank to complete the fortress' formation! With Battle Force 2000's futuristic combat capabilities, G.I. Joe can destroy Cobra™ once and for all!

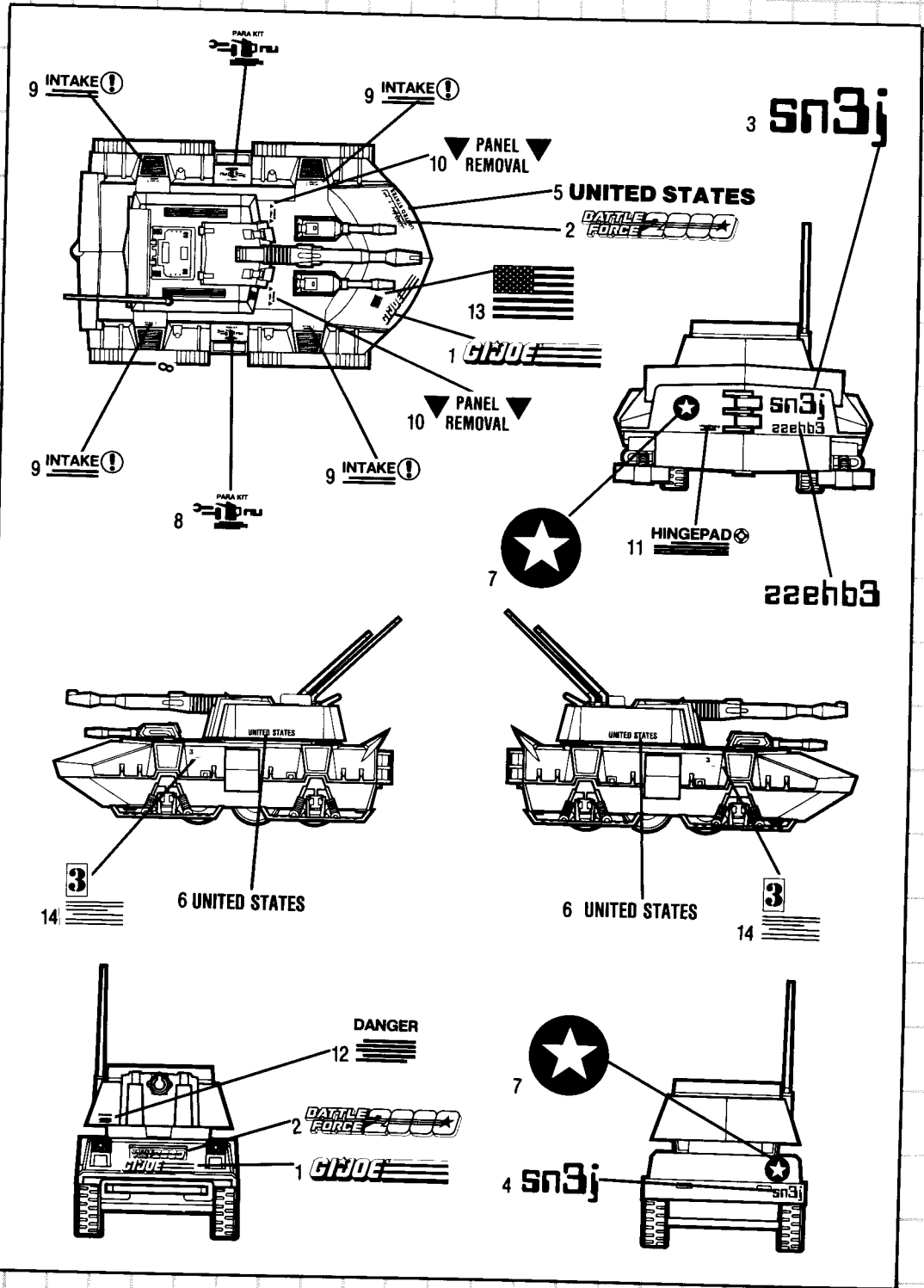
68-66 PN 187444-00A ©1987 Hasbro, Inc., Pawtucket, RI 02862 U.S.A. All Rights Reserved.

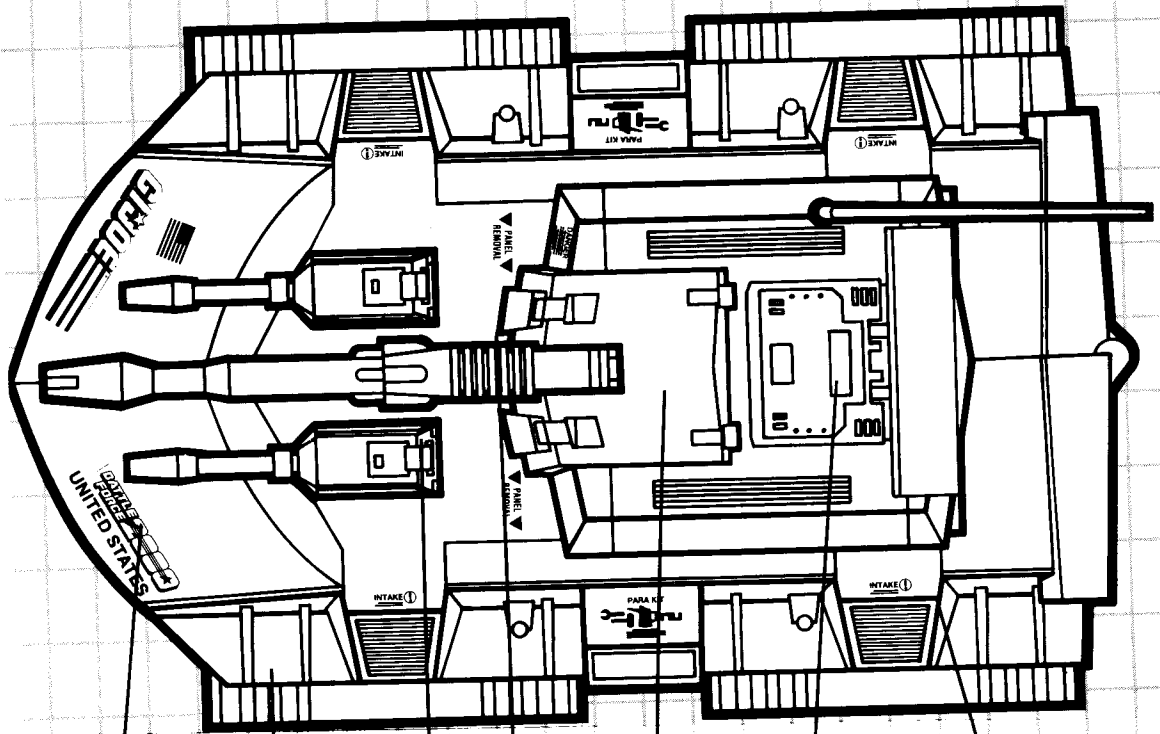


# GI JOE 2000 BATTLE FORCE

## DOMINATOR

- 1) BALLISTIC DEFLECTION LEADING EDGE ARMOR
- 2) "SLED" HYDRO-DYNAMICALLY SHAPED FORWARD BODY
- 3) "SUPER SLICK" SILICONE-COATED SUPPORT SKIS
- 4) NITROGEN-COMPRESSION SHOCK ABSORBER UNITS
- 5) "TWIN TERROR" DUAL PIVOTING 7.62MM MACHINE GUNS
- 6) "BATTLE DOG" 152MM XM175 GUN/MISSILE LAUNCHER
- 7) BALLISTIC RECOIL DAMPENING UNIT
- 8) SIX-WHEEL TRANSAXLE TANK PROPULSION UNIT
- 9) "BULLSEYE" LASER RANGEFINDER/FULL-SOLUTION BALLISTIC COMPUTER
- 10) REINFORCED MICRO-MESH BALLISTIC PROTECTION ARMORED TURRET
- 11) FULLY-INTEGRATED COMMUNICATIONS/ELECTRONIC COUNTERMEASURE ANTENNA
- 12) DUST-PROOF AIR INDUCTION VENTILATORS
- 13) GROUND-EFFECTS REAR AIR DEFLECTION SPOILER





- (1)
- (2)
- (3)
- (4)
- (5)
- (6)
- (7)
- (8)
- (9)
- (10)
- (11)
- (12)
- (13)

