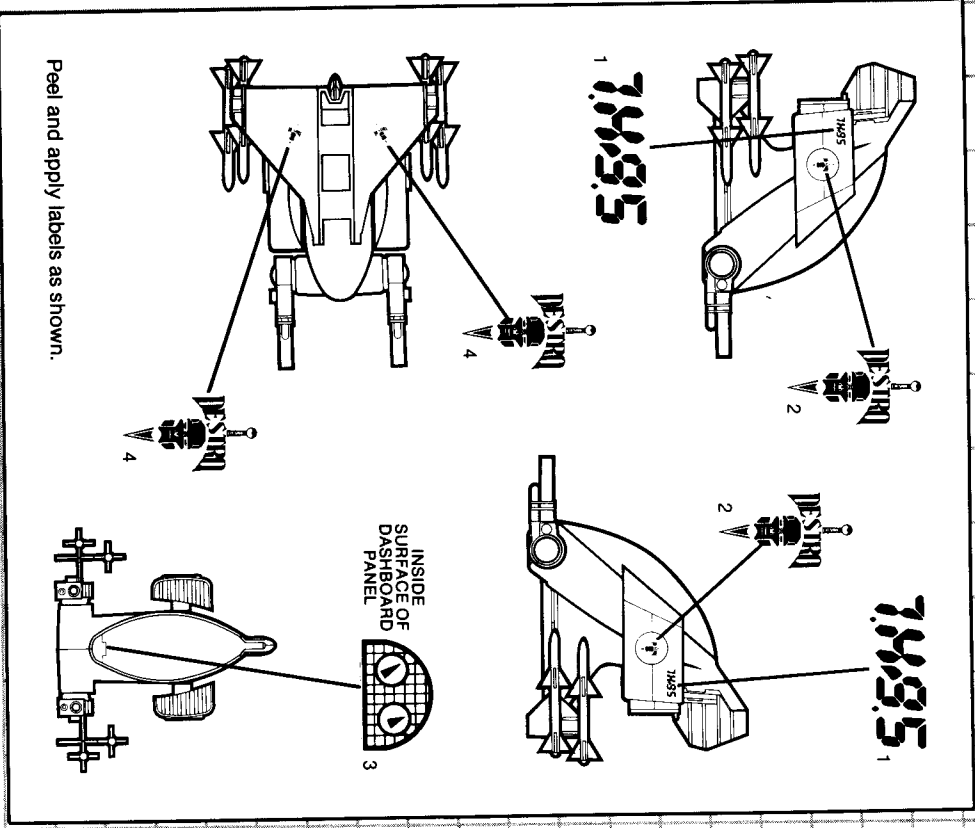


1. Line up hole in lower end of cockpit seat with post on left body side and fit together. Snap right body side onto left body side.
2. While sliding body along groove in stabilizer wing, use the palm of your hand to push up wing as you snap body into place. Fit tabs on canopy into holes in body top. (ILL. 2)
3. Snap rudder in between tabs in top of body rear. Snap missiles onto tabs on stabilizer wing. (ILL. 3)
4. Snap guns over posts on front body sides. (ILL. 4)
5. Locate right engine nozzle halves marked "R". Snap halves together as shown. Be sure to press rear post into rear hole for positive fit. Repeat process for right engine nozzle halves. (ILL. 5)
6. Fit the post on right engine nozzle through hole in right body side. Line up grooves in post on the left engine nozzle with tabs on post on right engine nozzle, then slide together. (ILL. 6) Place NULLIFIER™ figure in cockpit.

DESTRO'S ANTI-GRAVITY POD

- 1) "BIG HIT" 106 MM RECOILLESS CANNON/WIRE GUIDED ROUND
- 2) BALLISTIC DEFLECTION WIDE-VIEW CANOPY
- 3) PIVOTING "ANTI-GRAV" VTOL (VERTICAL TAKE-OFF/LAND) JET ENGINES
- 4) RIB-REINFORCED VERTICAL DIRECTIONAL STABILIZER
- 5) HINGE MOUNTED CANNON HOUSING/WIRE SPOOL CASING
- 6) LAYERED COMPOSITE SHELL/SHOCK DAMPENED STRUCTURE
- 7) DELTA-SHAPED HIGH VELOCITY LIFTING WING
- 8) POD/BODY SHELL SUPPORT GUSSET
- 9) SUPER-HARDENED STEEL ENGINE HINGE MECHANISM
- 10) DUST-PROOF JET INTAKE SCREENS
- 11) ANTI-TURBULENCE DELTA-SHAPED EDGE MOUNTED WINGLETS
- 12) "STUNG" (SILENT RUNNING TITANIUM UNDER-RADAR NEGATIVE GRAVITY-MISSILE
- 13) "HAMMER HEAD" SHAPED FLIR (FORWARD LOOKING INFRARED RADAR) HOUSING



Peel and apply labels as shown.

