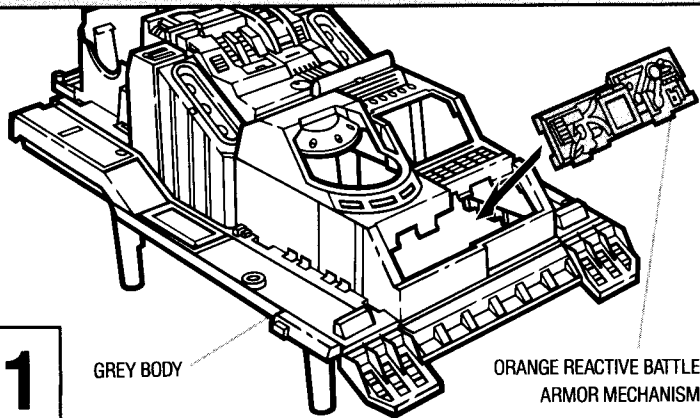
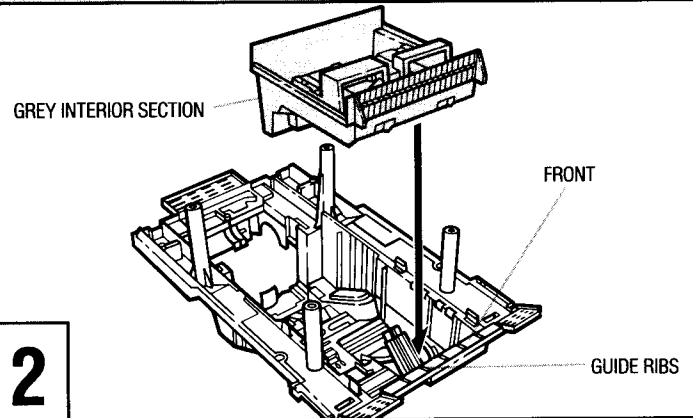


Contains: Body, reactive battle armor mechanism, battle armor panel, 2 track treads, body interior, 4 wheels, missile arm connector, right and left missile arm section, turret, turret gun, cannon, 2 missiles, 2 front side guns, 12 grenades and label sheet.

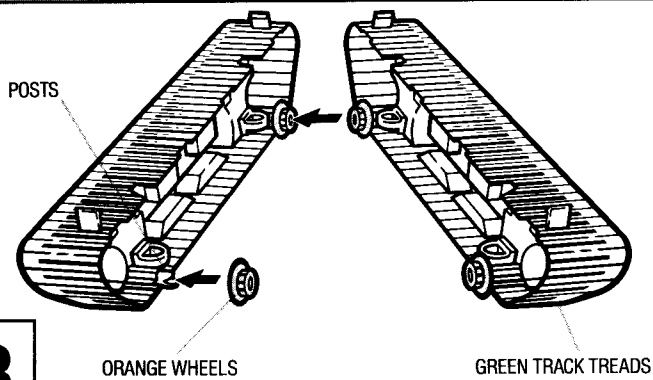
### REACTIVE BATTLE ARMOR MECHANISM INSERTION



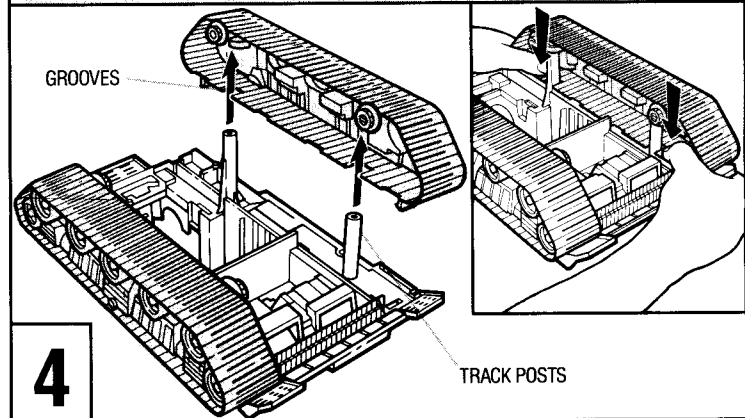
### BODY INTERIOR INSTALLATION



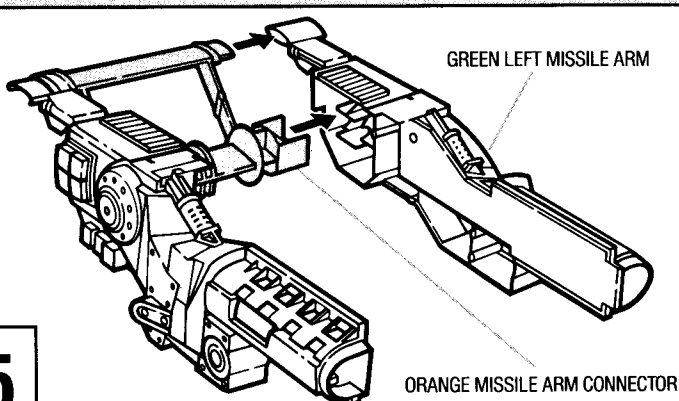
### WHEELS INSTALLATION



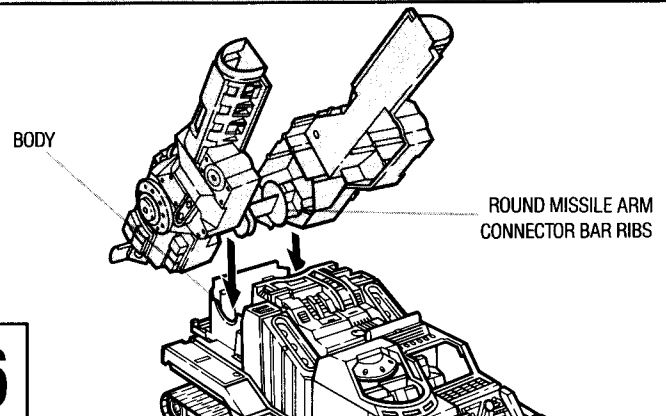
### TRACK TREAD INSTALLATION



### MISSILE ARM CONNECTOR INSERTION

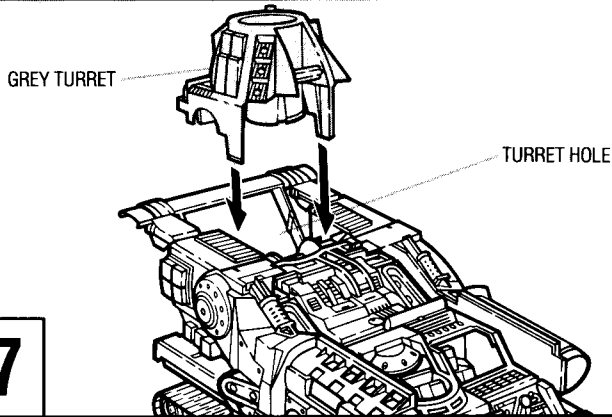


### MISSILE ARM ASSEMBLY INSTALLATION

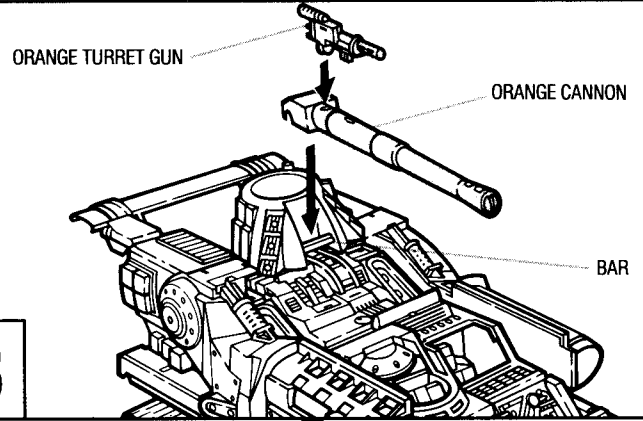


- 1 Fit top of orange reactive battle armor mechanism, labeled "top" on inside, into grey body front end and snap into place. (ILL. 1)
- 2 Turn body upside down. Snap grey body interior section into front end as shown. Be sure to align interior section in front of guide ribs as shown. (ILL. 2)
- 3 Snap orange wheels over posts on green track treads as shown. (ILL. 3)
- 4 Align grooves in track tread with track posts on body and snap into place. Repeat for other track tread. (ILL. 4)
- 5 Snap orange missile arm connector bar into green left missile arm as shown. Repeat for right missile arm. (ILL. 5)
- 6 Turn body right side up. Place missile arm assembly into body. Be sure round missile arm connector bar ribs are on the inside portion of the body as shown. (ILL. 6)

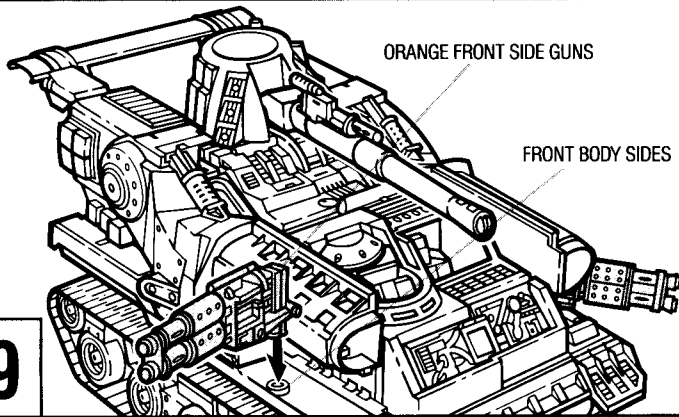
## TURRET INSTALLATION



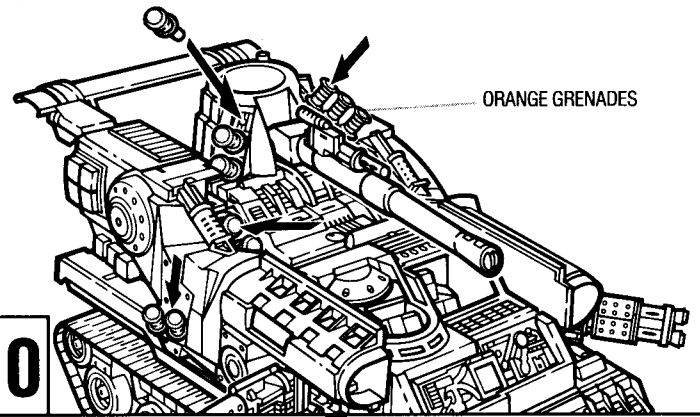
## TURRET GUN AND CANNON INSERTION



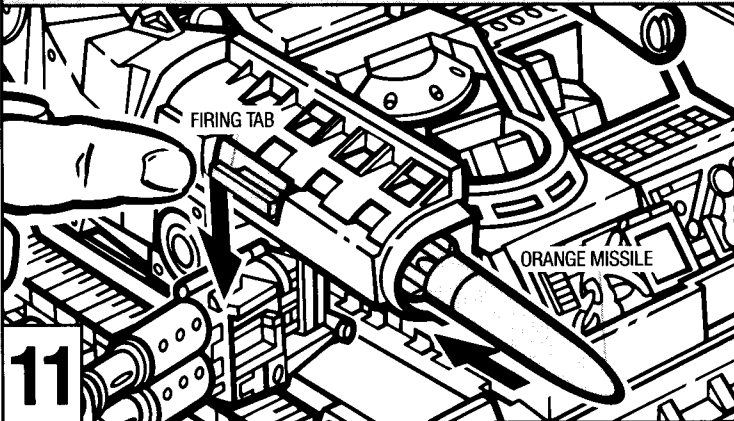
## GUNS INSTALLATION



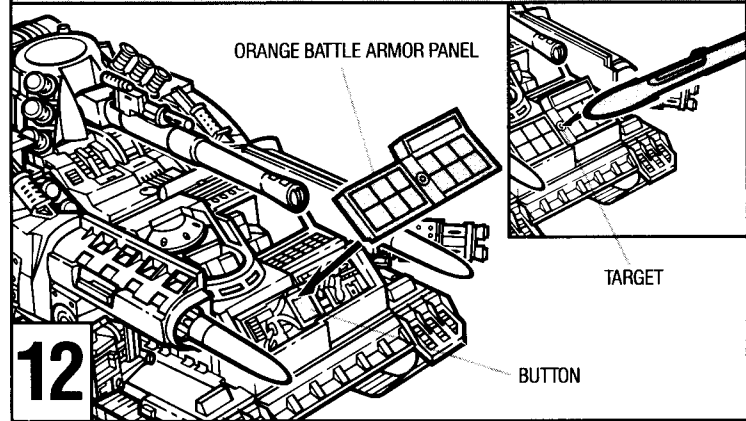
## GRENADES INSERTION



## MISSILE LOCK/FIRE



## REACTIVE BATTLE ARMOR MECHANISM ACTIVATION



**7** Snap grey turret into turret hole in body top as shown. (ILL. 7)

**8** Snap orange turret gun onto orange cannon. Snap cannon onto bar on turret. (ILL. 8)

**9** Snap orange front side guns into holes in front body sides. (ILL. 9)

**10** Place orange grenades into holes in body top, sides, and turret as shown. (ILL. 10)

**11** Slide orange missile into missile arm, then turn missile tab to lock into launcher as shown. To fire, flick firing tab downward. (ILL. 11)

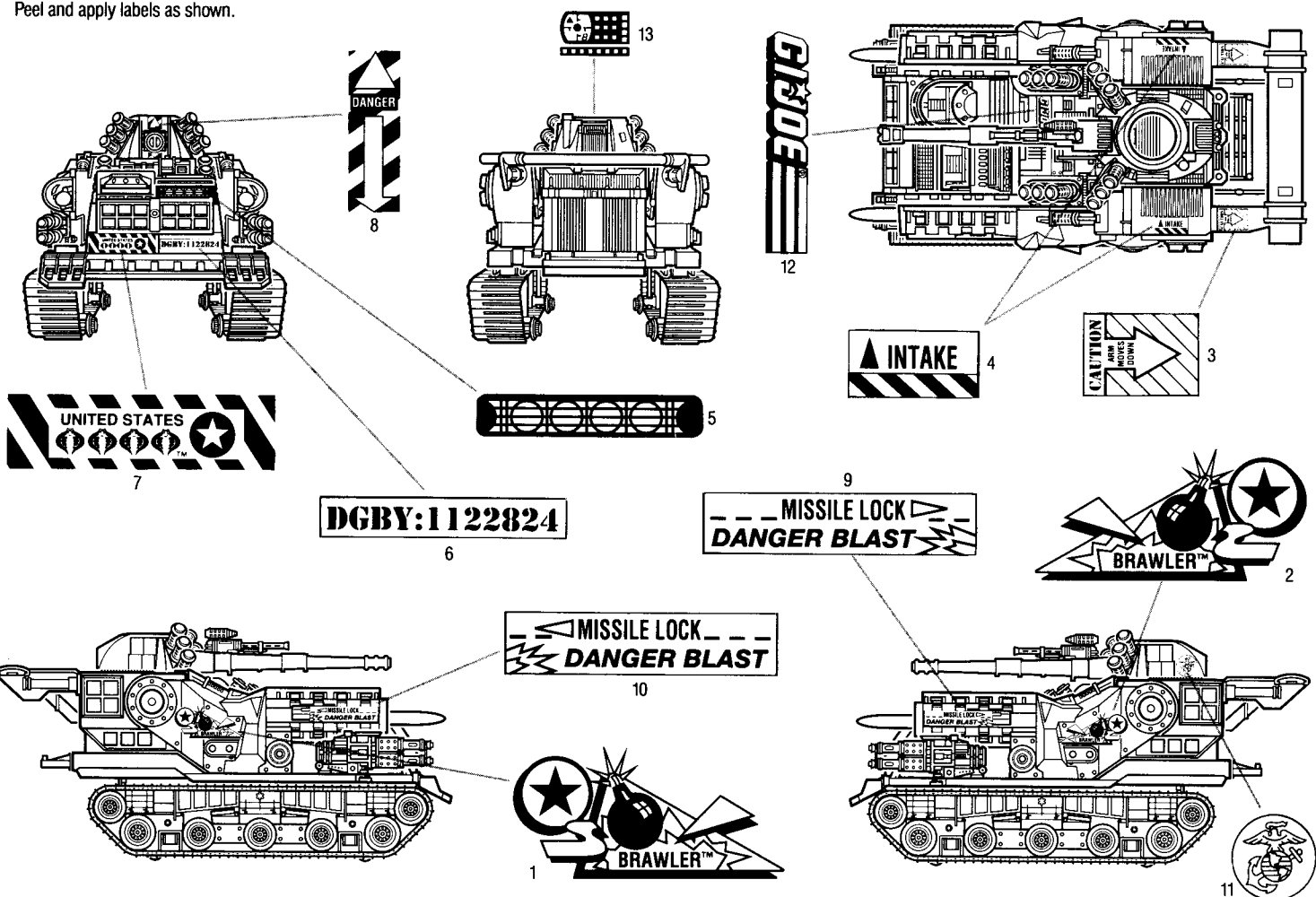
**12** Push down button on mechanism to lock into place. Snap orange battle armor panel onto mechanism as shown. To activate, aim and fire a projectile at the outlined target on the panel. (ILL. 12)

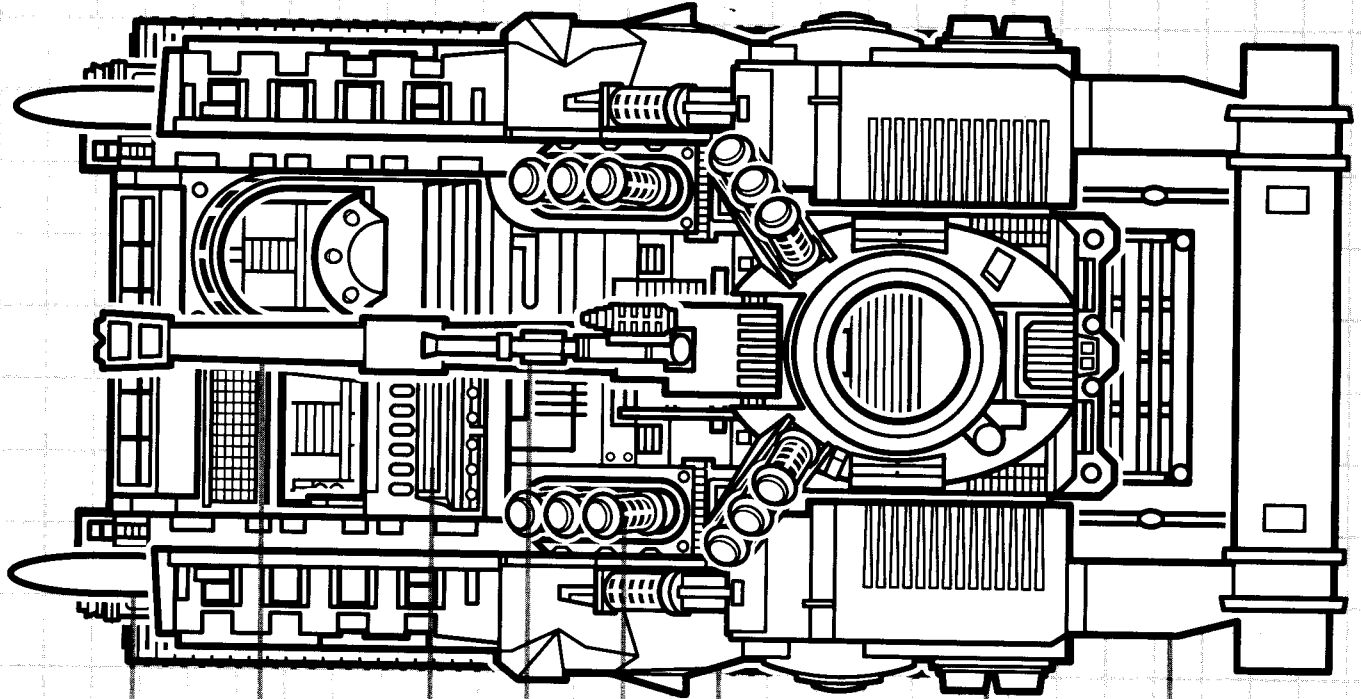
## G.I. JOE<sup>®</sup> BRAWLER<sup>™</sup>

### OFFICIAL G.I. JOE VEHICLE SPECIFICATIONS

- 1) DUAL, ELECTRO-FIRED, CNM-44 MACHINE GUNS
- 2) MV30P-A, SURFACE-TO-AIR MISSILE IN TITANIUM-ENCASED LAUNCHER
- 3) LONG RANGE, MEGA-CONCUSSION, MOBILE FIELD ARTILLERY CANNON
- 4) FORWARD CONTROL COCKPIT FOR TARGET TRAJECTORY ANALYSIS
- 5) NIGHT ATTACK, ANTI-MISSILE, UIO-101 MACHINE GUN
- 6) MEDIUM RANGE, TACTICAL EFFECT, SUPER STRIKE GRENADE LAUNCHER
- 7) TWENTY-INCH THICK, BLAST-PROOF ARMOR CASING
- 8) REINFORCED TRACK TREAD MECHANISM KEEPS WHEELS ON TRACK
- 9) SIDE PORT EARLY WARNING DEFENSE SHIELD
- 10) REAR STABILIZER FOR BALANCE DURING HIGH-SPEED ASSAULTS

Peel and apply labels as shown.





- (1) (2) (3) (4) (5) (6) (7) (8) (9) (10)

