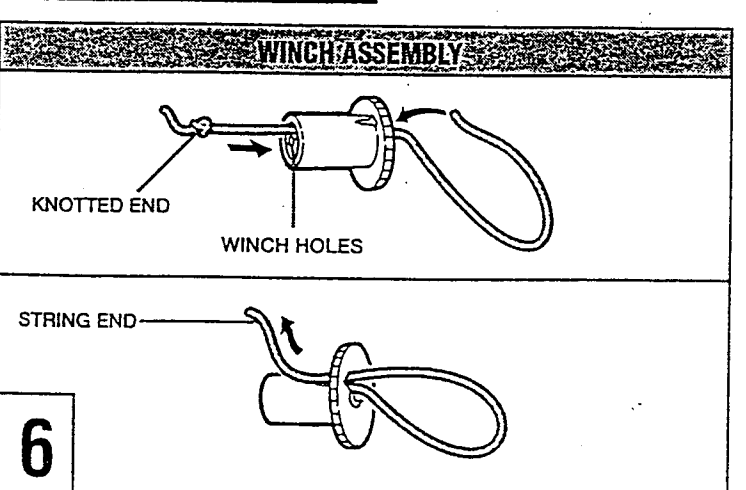
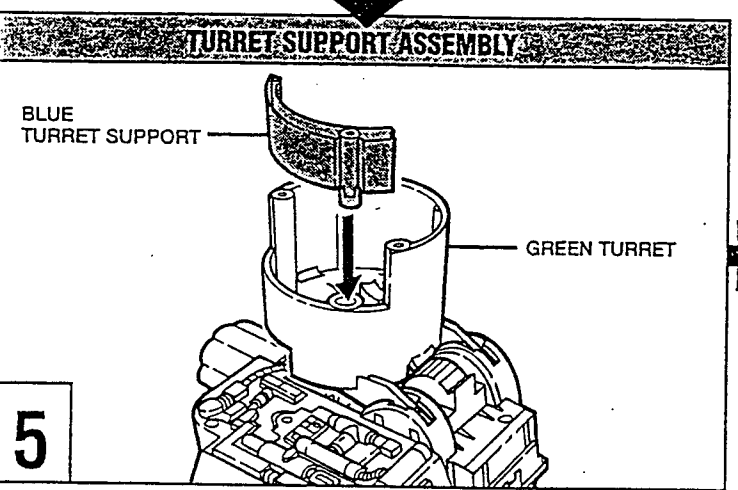
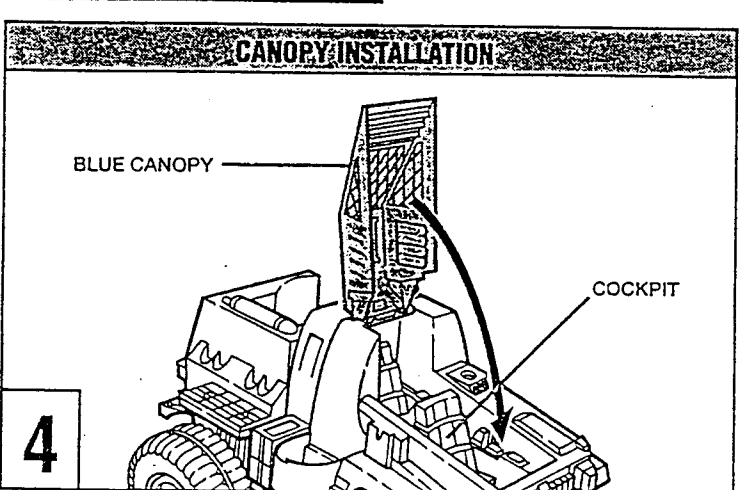
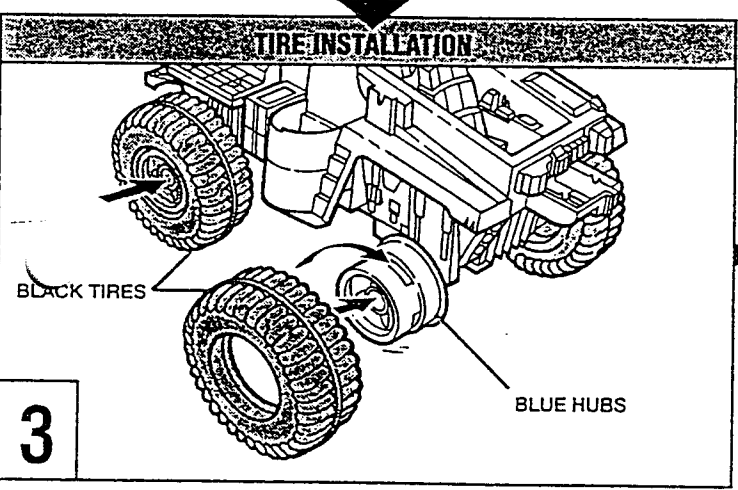
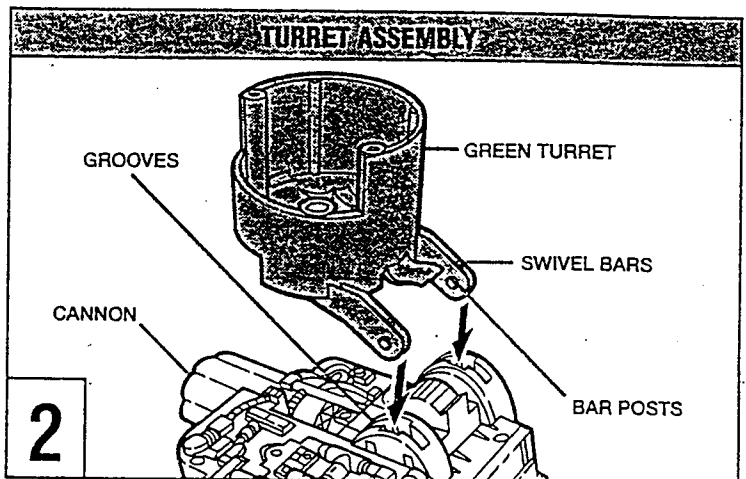
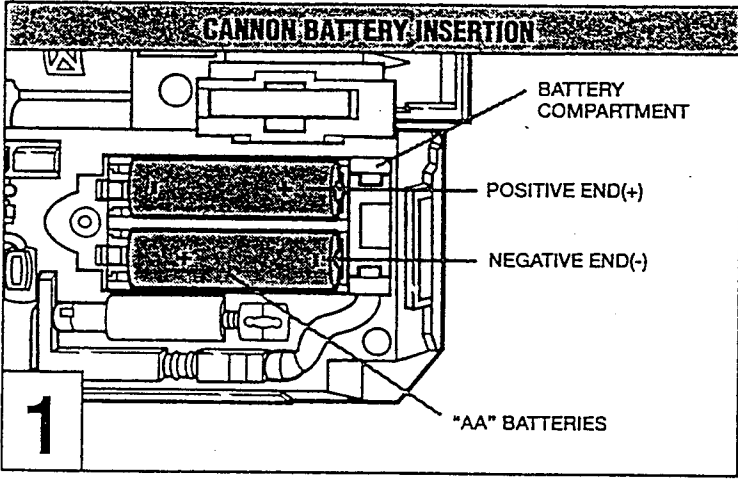


Remove all pieces from plastic frames. If you have difficulty, use safety scissors.

Includes: Body, 4 tires, turret support bar, turret with cannon, string, winch, hook, front and rear bumpers, 2 side guns, top gun, 12 missiles and label sheet.



Using a Phillips® screwdriver (not included), unscrew battery compartment door on cannon. Insert 2 "AA" size batteries as shown. Be sure positive end(+) and negative end(-) on batteries match the corresponding markings in the compartment. Screw battery compartment door over battery compartment. **NOTE:** If you have a problem connecting the battery to the battery contacts, check to make sure batteries are touching the contacts. (ILL. 1)

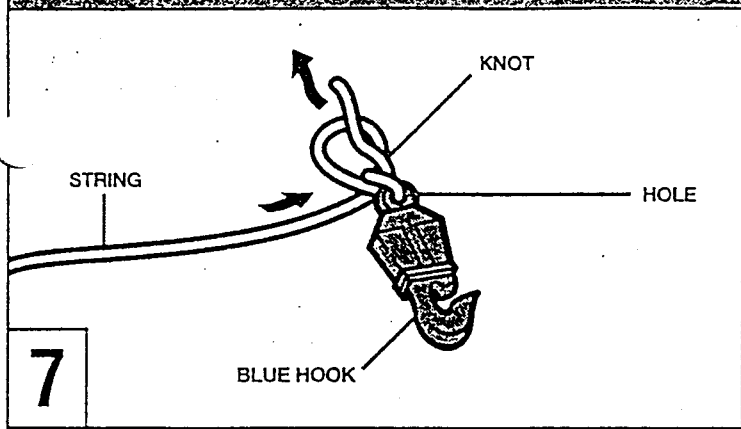
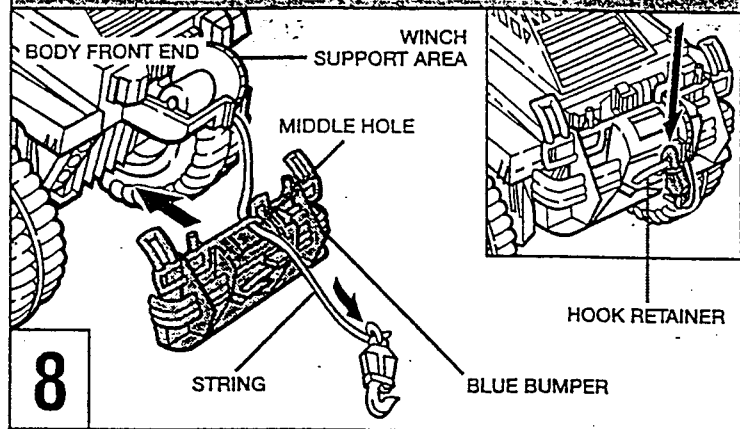
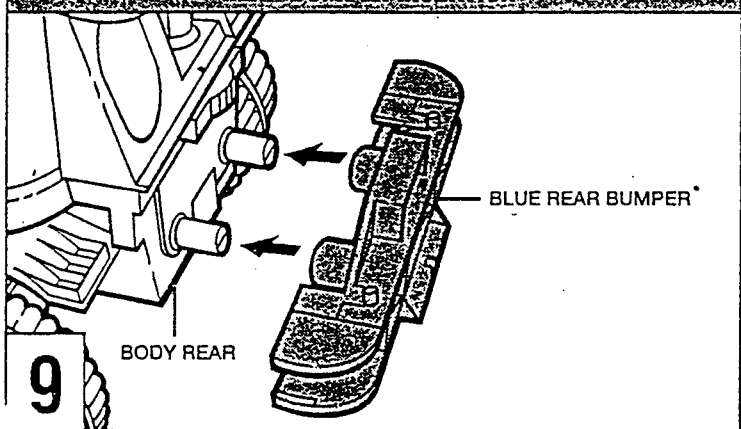
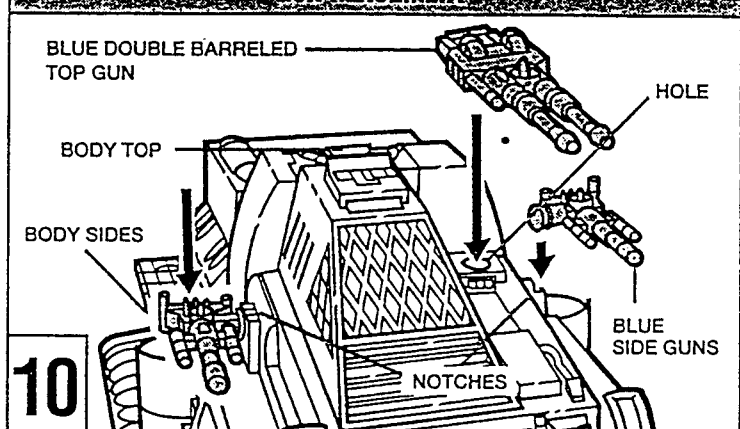
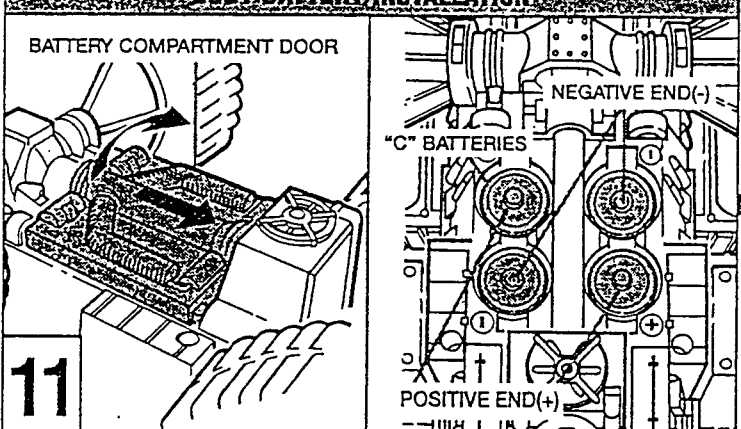
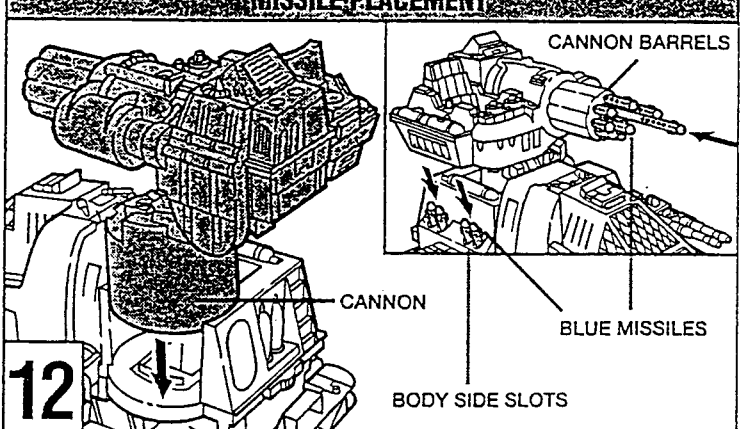
**IMPORTANT:** With green turret swivel bars facing rear, snap bar posts into grooves on underside of cannon, exactly as shown. (ILL. 2)

Press black tires onto blue hubs then turn to lock into place. (ILL. 3)

Snap blue canopy over cockpit area. (ILL. 4)

Snap blue turret support into green turret. (ILL. 5)

Slide one end of string through holes in blue winch as shown. Tie a knot with other end of string. Slide end of string back through winch hole. (ILL. 6)

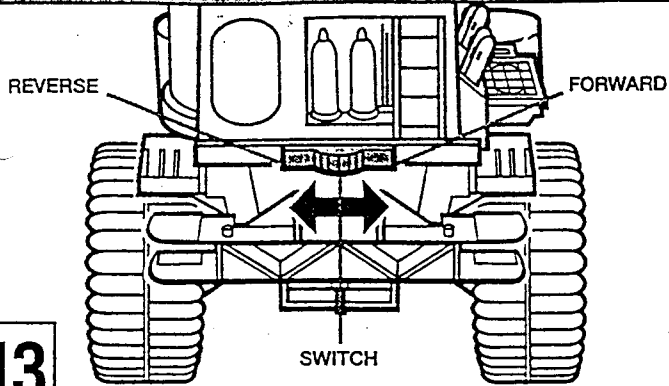
**STRING/HOOK INSTALLATION****FRONT BUMPER/WINCH INSTALLATION****REAR BUMPER INSERTION****GUN PLACEMENT****BATTERY INSTALLATION****MISSILE PLACEMENT**

- 7 Thread string end through hole in blue hook and tie a double knot to secure. (ILL. 7)
- 8 Place hook through middle hole in blue front bumper, then fit winch onto winch support area in body front end. Snap bumper onto body front end. Wind string onto winch and attach hook onto hook retainer as shown. (ILL. 8)
- 9 Snap blue rear bumper onto body rear. (ILL. 9)
- 10 Snap blue side guns into notches in body sides. Snap blue double barreled top gun into hole in body top. (ILL. 10)
- 11 Turn body upside down. Press battery compartment door forward and flip up. Insert 4 "C" size batteries into battery compartment. Be sure positive end (+) and negative end (-) on batteries match the corresponding markings in the compartment. Fit battery compartment door onto compartment. (ILL. 11)
- 12 Fit cannon into body as shown. Fit 8 blue missiles into cannon barrels, then store 4 remaining missiles into slots on body side. (ILL. 12)

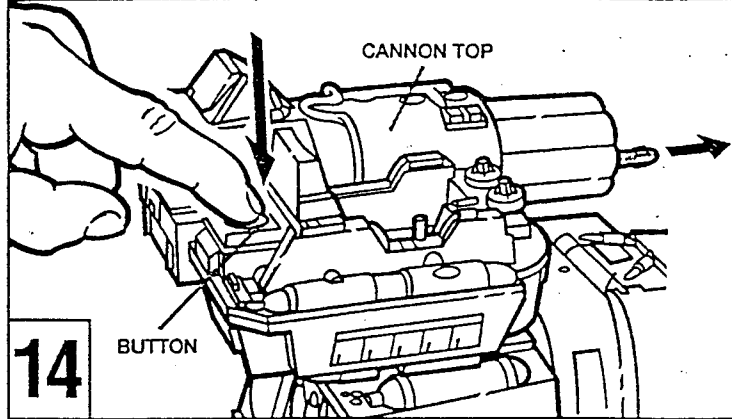
**CAUTION: TO AVOID BATTERY LEAKAGE**

- Be sure to insert the batteries correctly and always follow the toy and battery manufacturers' instructions.
- Never mix old batteries and new batteries, or standard (carbon-zinc) with alkaline.
- Always remove exhausted or dead batteries from the product.

### MOTORIZED ACTION



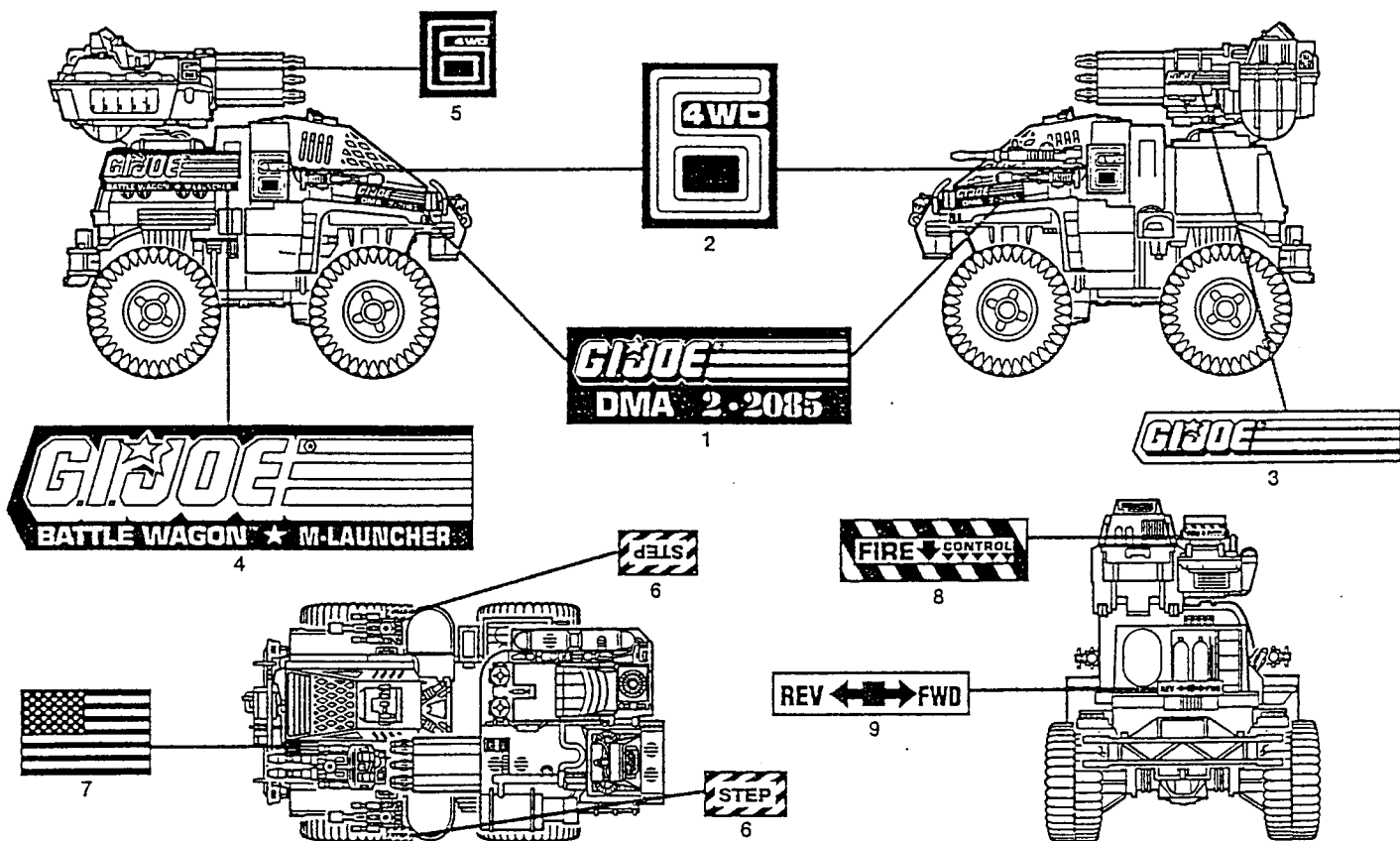
### FIRING MISSILES



13 To activate motorized movement, flick switch on body rear to the right for forward, or to the left for reverse. (ILL. 13)

14 For single fire action, quickly depress button on cannon top and release. For rapid fire action, keep finger depressed on button. (ILL. 14)

Peel and apply labels as shown.



## G.I. JOE® BATTLE WAGON™ OFFICIAL G.I. JOE VEHICLE SPECIFICATIONS

- 1) SOPHISTICATED VEHICLE FRONT END WINCH SYSTEM
- 2) DUAL-BARRELED, SYNCHRO-FIRE LASER CANNONS
- 3) PROTECTIVE, THERMAL INSULATED CANOPY GRILLE
- 4) COMPUTER CONTROLLED, FLANK FIRE MACHINE GUNS
- 5) TITANIUM ENCASED MACHINE GUN STATION
- 6) 8-SHOT SEMI-AUTOMATIC, MOTORIZED CANNON
- 7) AIR-COOLANT, OVERDRIVE, FIRE ACCELERATOR
- 8) MULTI-TREAD, NON-PUNCTURE, STEEL BELTED TIRES
- 9) COBOLIC GENERATED, HIGH-POWERED MISSILE LAUNCHER MOTOR
- 10) REAR TOW SYSTEM FOR TRANSPORTING HEAVY BATTLEFIELD EQUIPMENT

