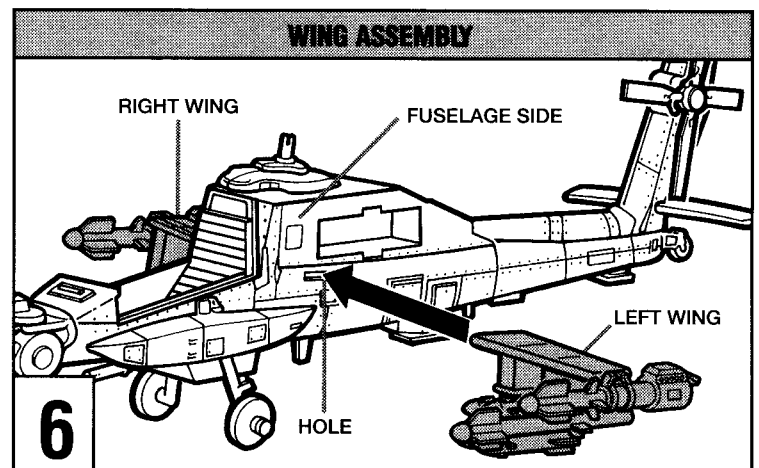
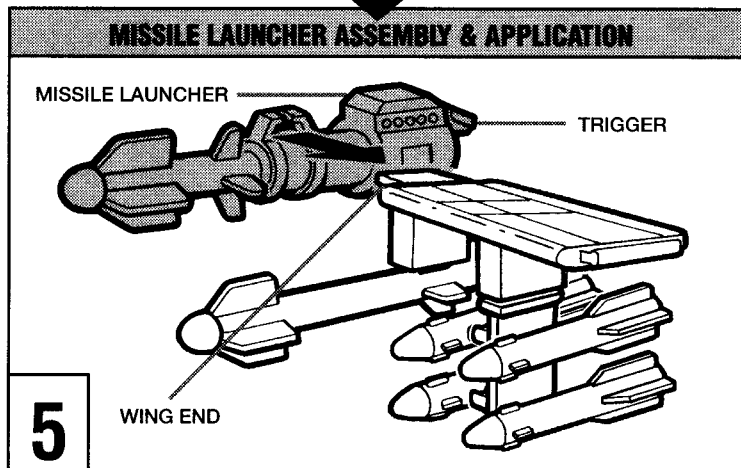
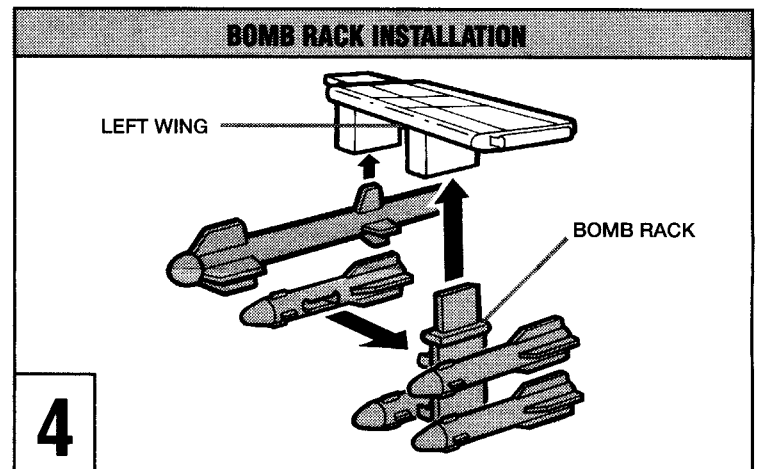
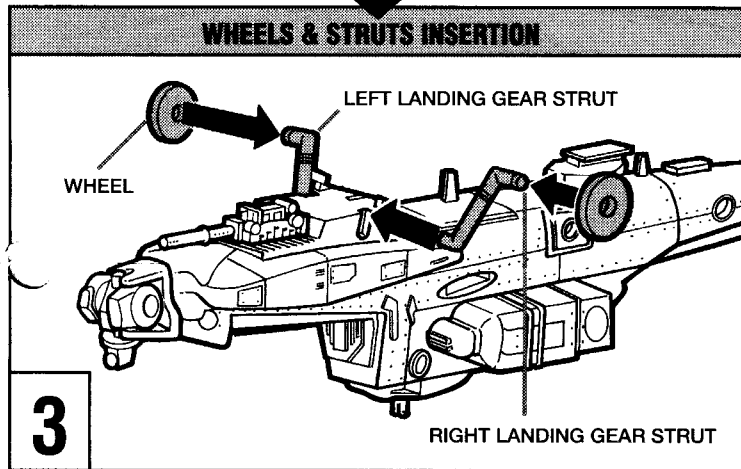
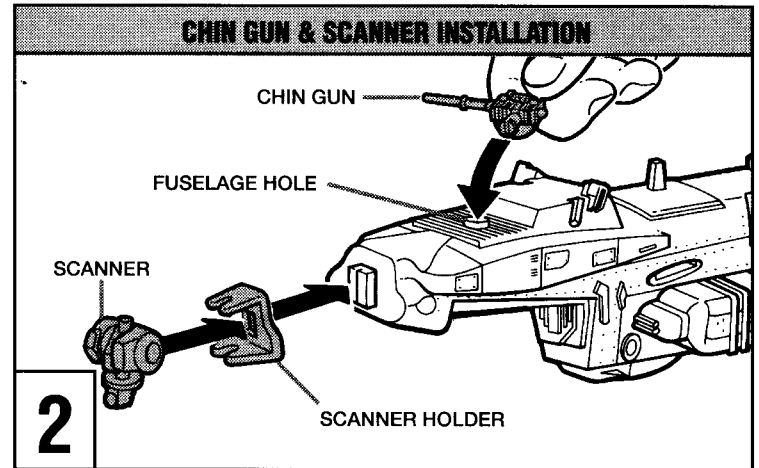
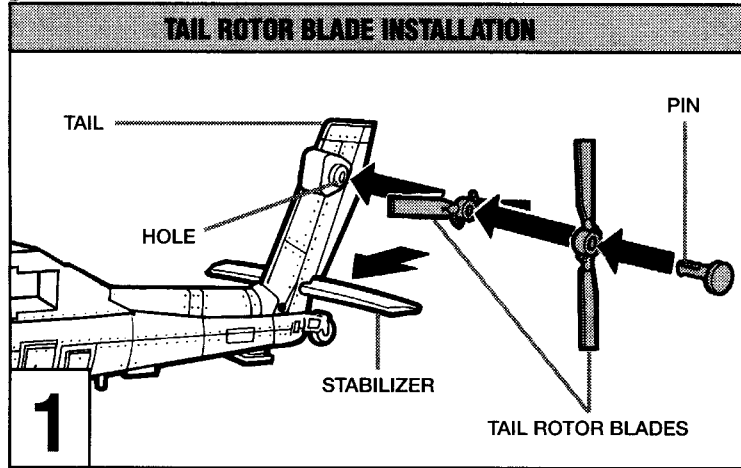
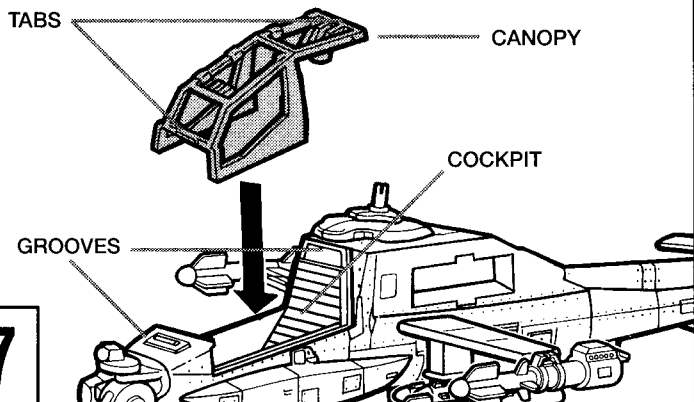


Includes: Fuselage, control stick, support base, rotor blades, chin gun, scanner, 2 bomb racks, 2 missile launchers, 8 bombs, 4 missiles, right and left wings, prop, rotor hub and label sheet.

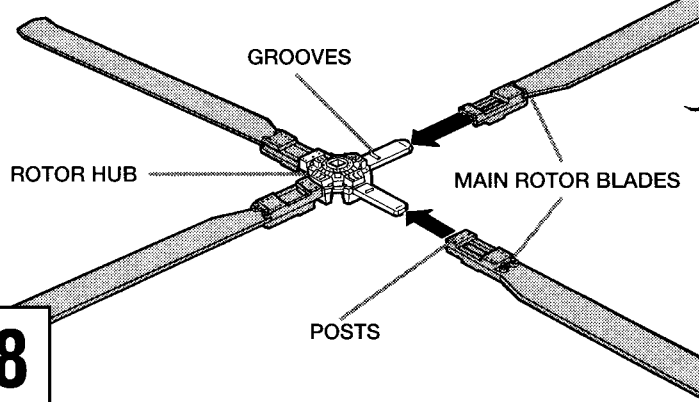


- 1 Fit tail rotor blades onto tail rotor pin. Snap tail rotor assembly into hole in tail section. Snap stabilizer into slot in tail as shown. (ILL. 1)
- 2 Turn fuselage upside down. Snap chin gun into hole in front end of helicopter. Snap scanner holder onto fuselage front end. Snap scanner into scanner holder as shown. (ILL. 2)
- 3 Fit wheel post onto right landing gear strut, marked "R". Repeat for left landing gear strut, marked "L". (ILL. 3)
- 4 Slide bomb rack into inside slot in right wing. Repeat for left wing bomb rack. (ILL. 4)
- 5 Fit missile launcher onto end of wing as shown. Load missile into launcher front end until it locks into place. To fire, push down trigger. Repeat for other launcher and missile. (ILL.5)
- 6 Turn fuselage right side up. Snap right and left wings into holes in fuselage sides as shown. (ILL. 6)

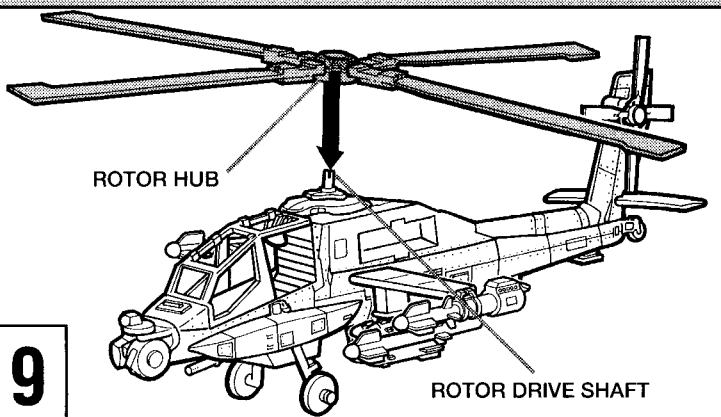
CANOPY INSERTION



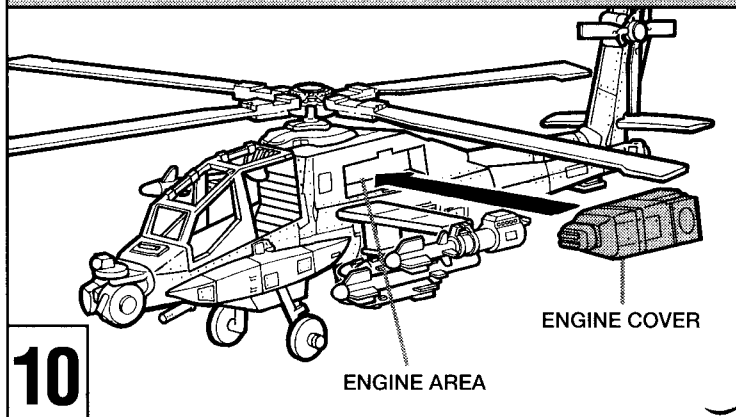
ROTOR BLADE INSTALLATION



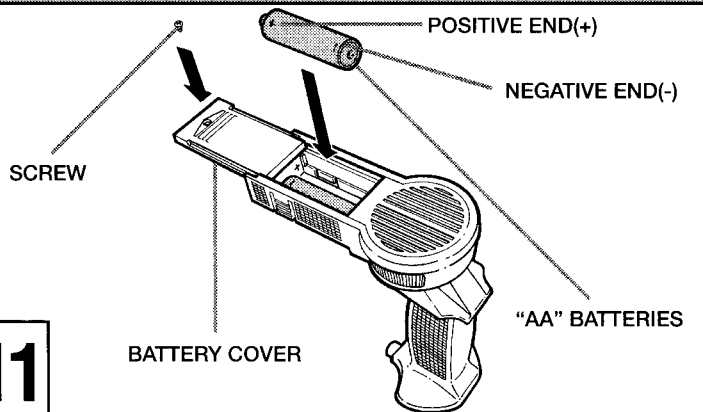
ROTOR HUB INSTALLATION



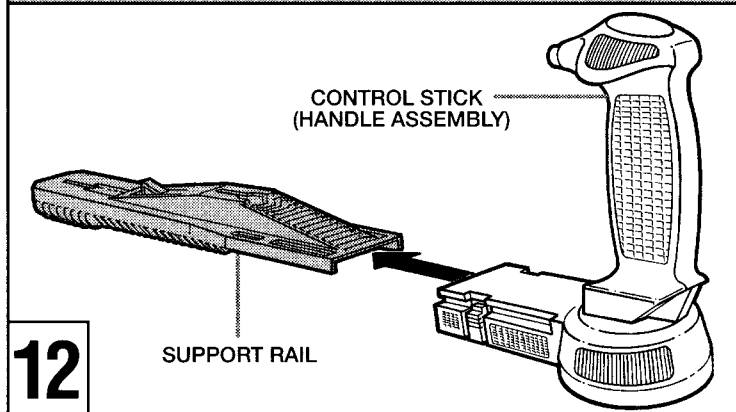
ENGINE COVER INSTALLATION



BATTERY INSTALLATION



SUPPORT RAIL INSTALLATION

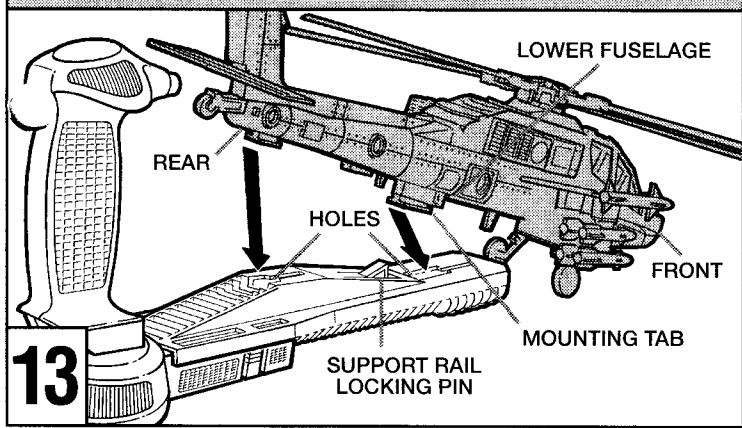


- 7** Snap front and rear tabs on canopy into front and rear grooves in cockpit area. (ILL. 7)
- 8** Flatten blades if they come bent in the package. Slide main rotor blades onto rotor hub and snap into place. Make sure rotor blade posts lock into grooves on rotor hub. (ILL.8)
- 9** Snap rotor hub onto main rotor drive shaft as shown. (ILL.9)
- 10** Snap left side engine cover over engine area. (ILL.10)
- 11** Place two "AA" alkaline batteries into compartment as shown. Be sure positive end(+) and negative end(-) on batteries match the corresponding markings in the compartment. Using a Phillips® screwdriver (not included), slide and screw cover onto compartment. (ILL. 11)
- 12** Slide and snap helicopter support rail onto control stick as shown. (ILL. 12)

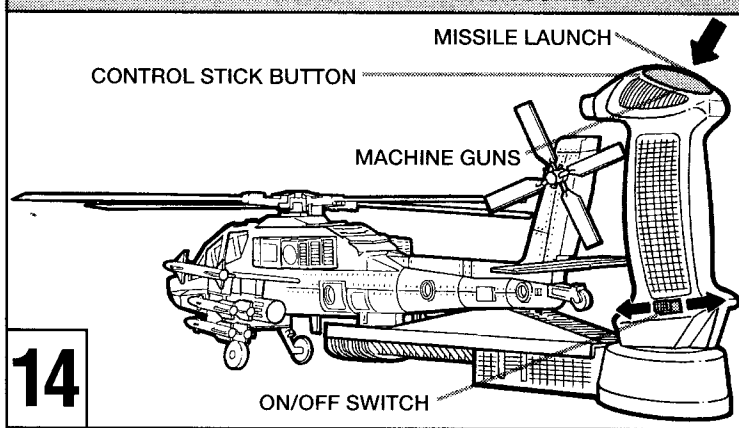
CAUTION: TO AVOID BATTERY LEAKAGE

- Be sure to insert the batteries correctly and always follow the toy and battery manufacturers' instructions.
- Never mix old batteries and new batteries, or standard (carbon-zinc) with alkaline.
- Always remove exhausted or dead batteries from the product.

VEHICLE INSERTION

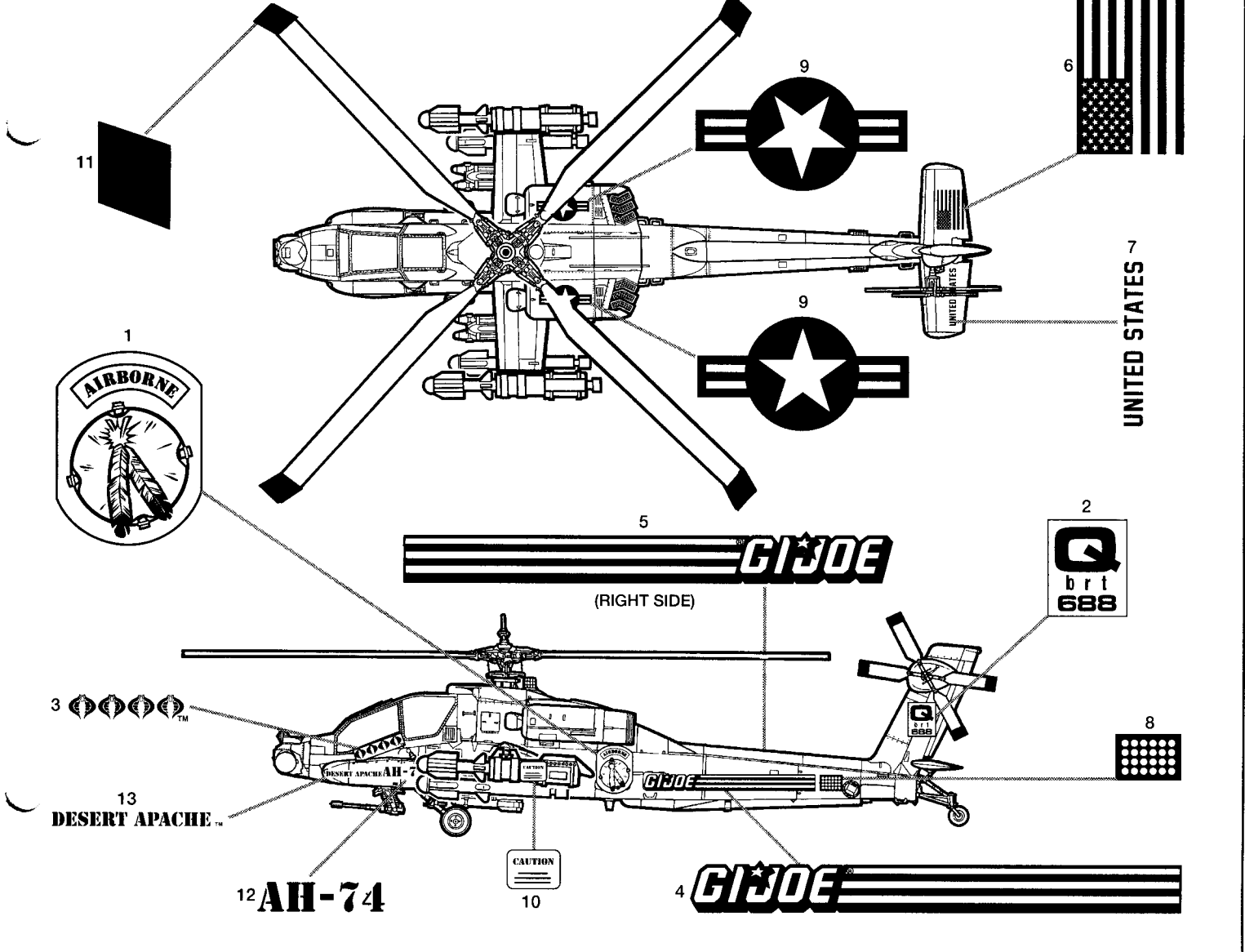


HOW TO PRODUCE ELECTRONIC SOUNDS



- 13** Align front and rear mounting tabs on lower fuselage with holes in helicopter support rail as shown. Slide fuselage forward until fuselage locks into place with helicopter support rail. To remove helicopter from support rail, pull locking pin downward, then slide fuselage toward rear and lift outward. (ILL. 12)
- 14** To produce in-flight electronic sounds, slide control stick ON/OFF switch into the ON position as indicated. Hold control stick in one hand and press control stick button to the left to activate the machine gun, or to the right for the missile launch. (ILL. 13)
- NOTE:** Machine gun and missile fire sounds will not activate until helicopter sound is up to full speed.

Peel and apply labels as shown.



AH-74 DESERT APACHE™

OFFICIAL G.I. JOE VEHICLE SPECIFICATIONS

- 1) FORWARD DAYLIGHT SCANNING SENSOR
- 2) FORWARD RADAR WARNING ANTENNA
- 3) FULL ROTATION, 30MM CHIN GUN
- 4) PROTECTIVE COCKPIT BLAST SHIELD
- 5) STUB WING STABILIZER
- 6) AIR-TO-SURFACE ANTI-TANK MISSILES
- 7) MAIN ROTOR BLADES
- 8) GE T700-GE 701 TURBOSHAFT THRUSTER
- 9) TAILPLANE ROTOR FOR REAR ATTACK SUPPORT

