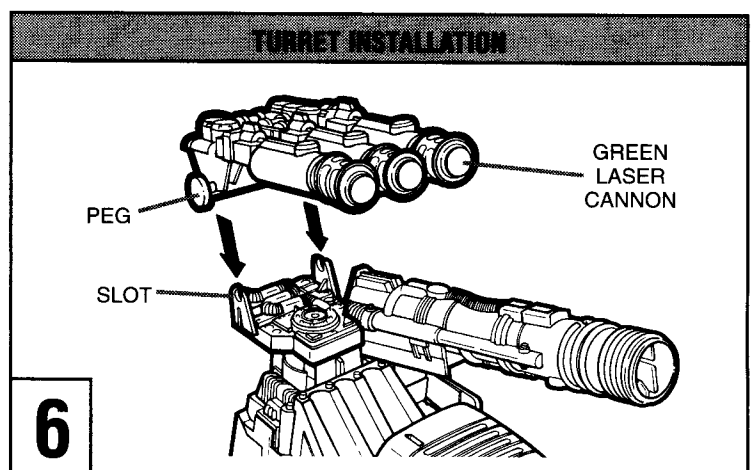
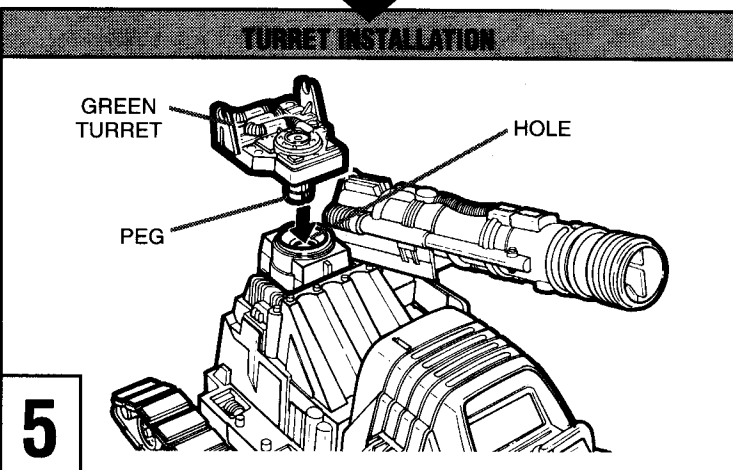
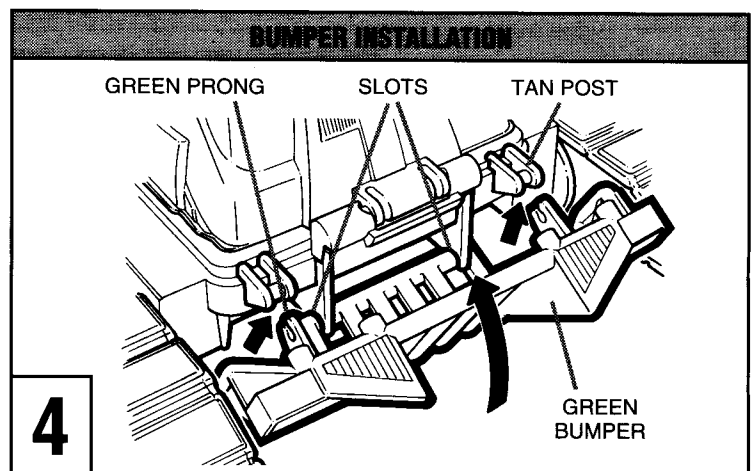
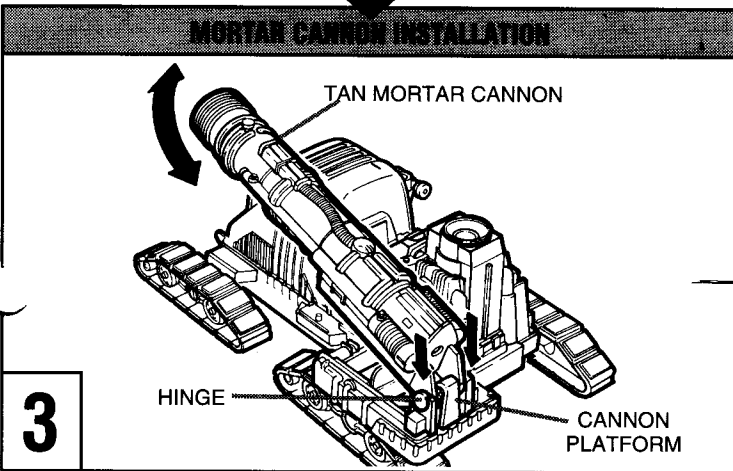
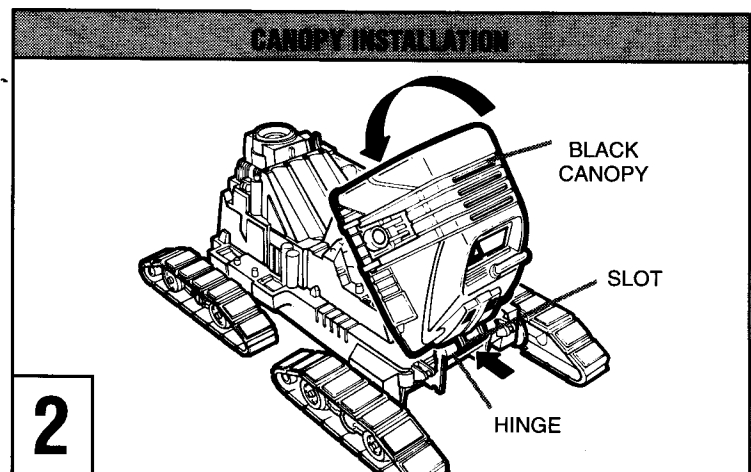
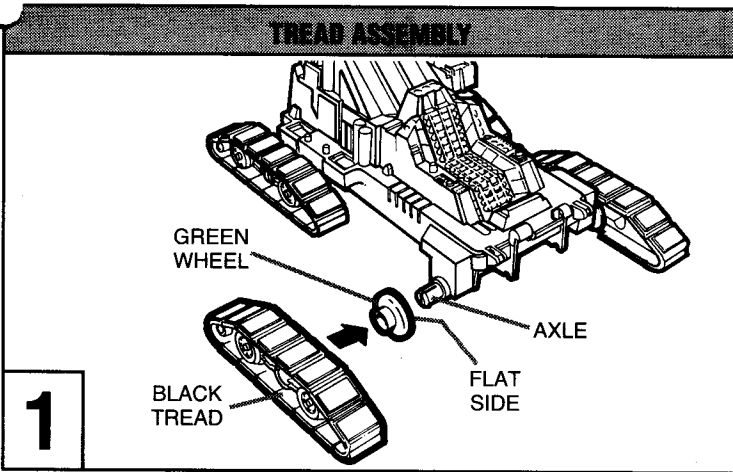


Includes: Canopy, mortar cannon, three mortar missiles, antenna, side machine gun, bumper, laser cannon, 4 treads, 4 wheels.



**1** Slide green wheel onto axle with flat side facing vehicle, then press black tread onto axle as shown. Repeat step with remaining axles. (ILL.1)

**2** Snap black canopy hinge into slot at front of tan body. Close black canopy as shown. (ILL.2)

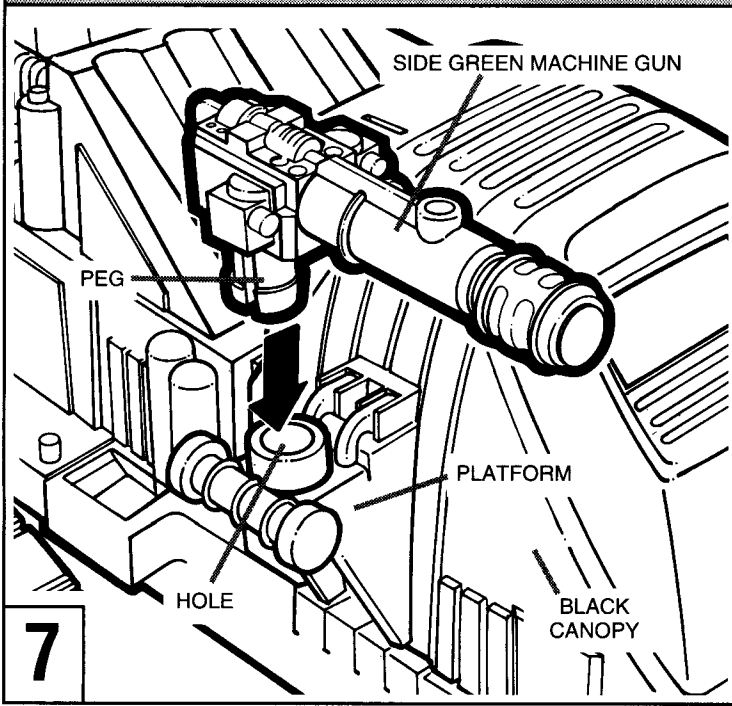
**3** Press hinge on tan mortar cannon into slot on tan cannon platform. Cannon will pivot up and down as shown. (ILL.3)

**4** Place bottom of green bumper into slots at front of vehicle. Swing bumper up and snap green prongs onto tan posts as shown. (ILL. 4)

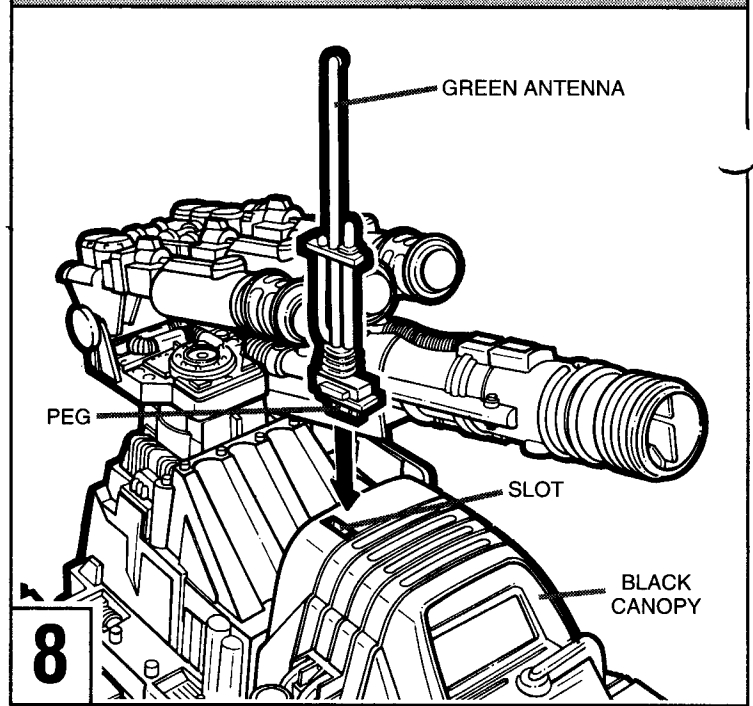
**5** Press green turret peg into hole on top of vehicle as shown. (ILL.5)

**6** Snap pegs on green laser cannon into slots in green turret as shown. (ILL.6)

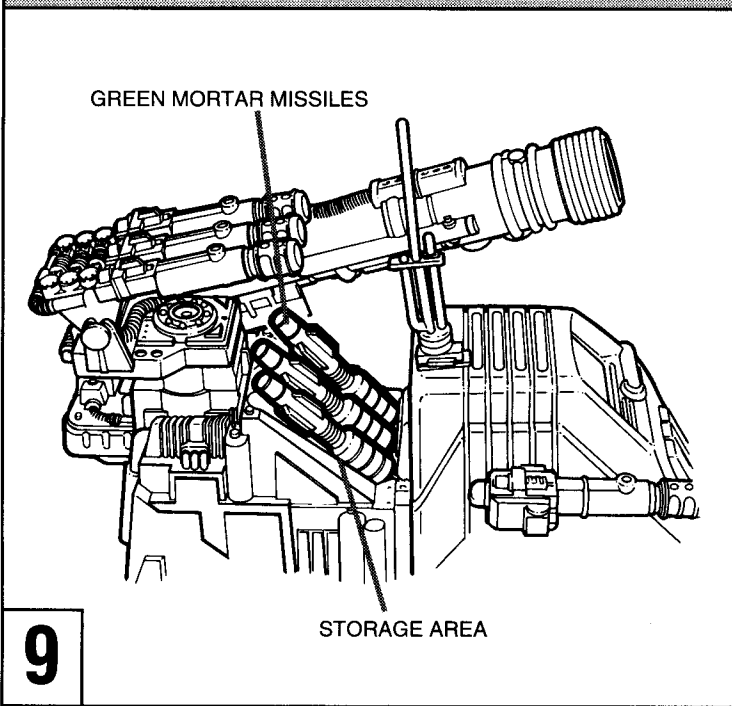
### SIDE MACHINE GUN INSTALLATION



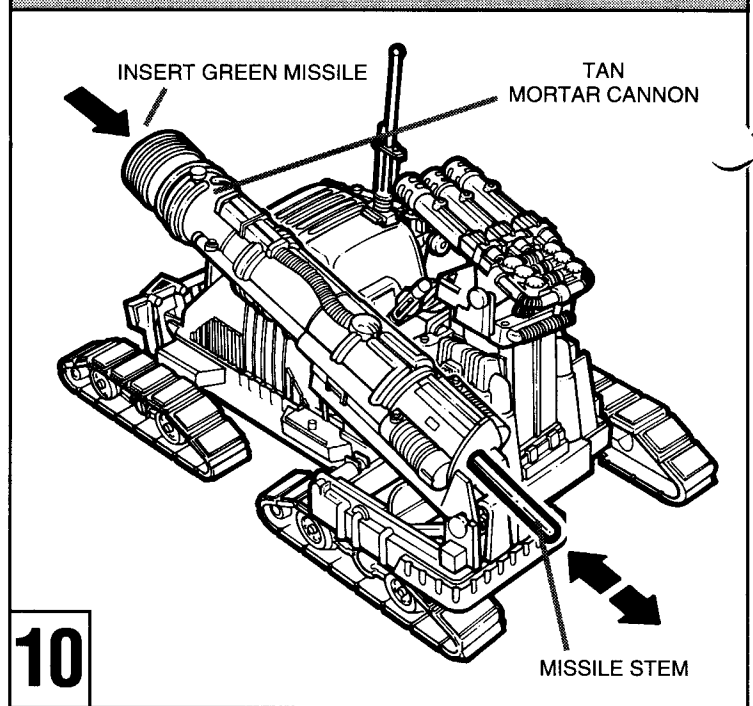
### ANTENNA INSTALLATION



### MORTAR MISSILE STORAGE



### HOW TO SHOOT MORTAR CANNON



**7** Press peg on side green machine gun into hole in platform on black canopy (ILL.7)

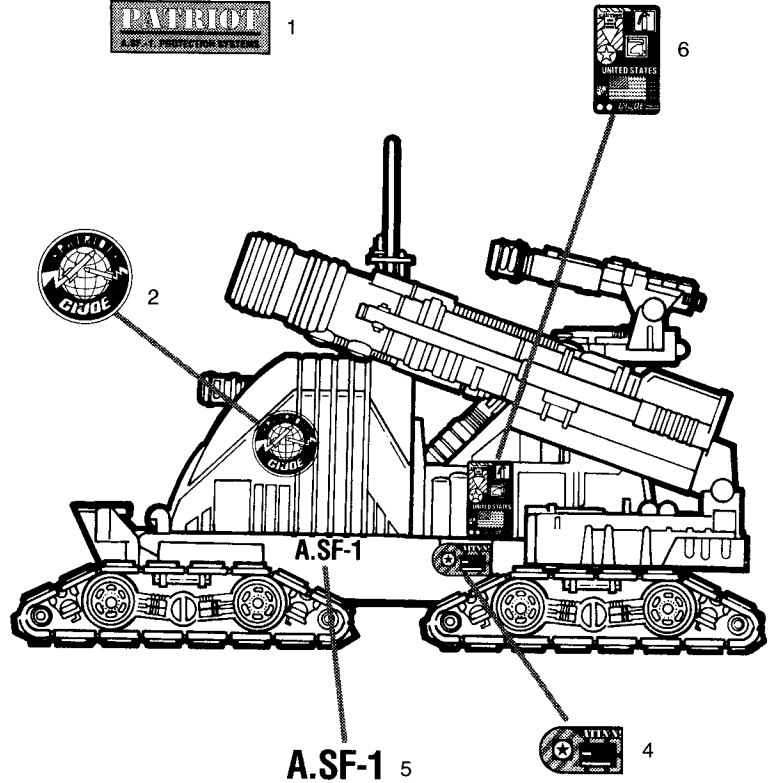
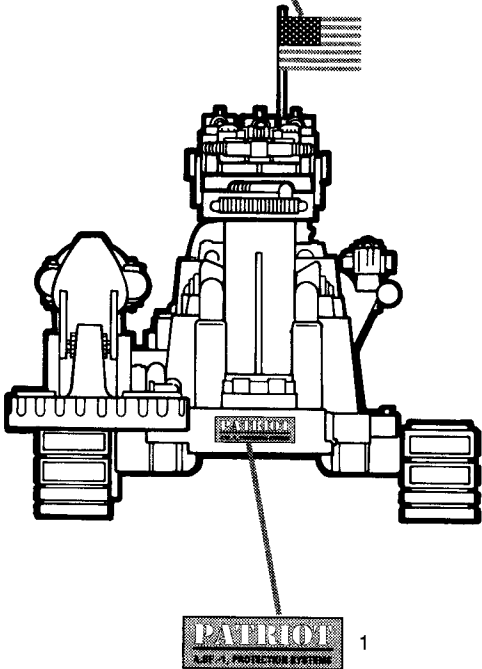
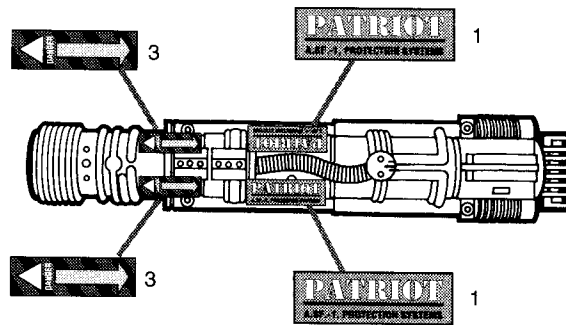
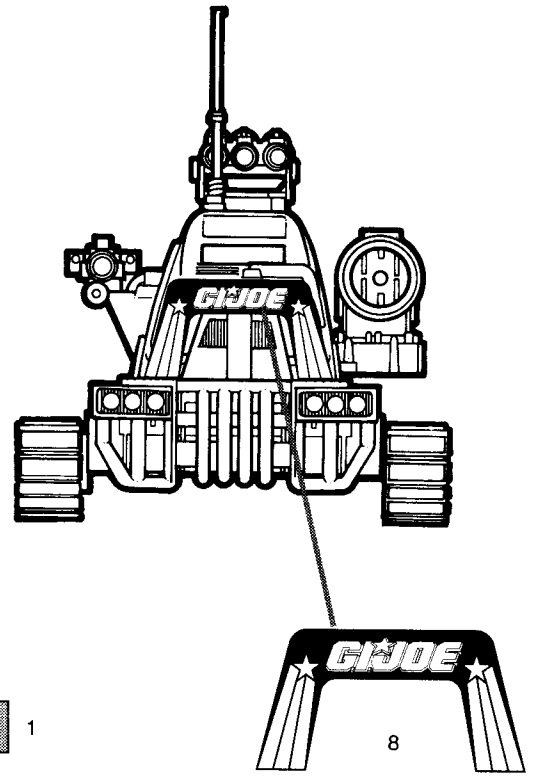
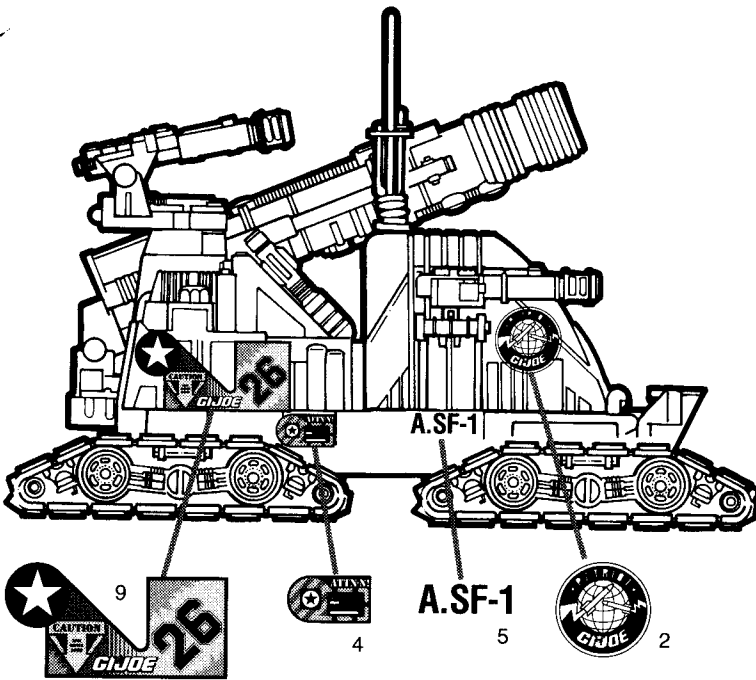
**8** Insert peg at base of green antenna into slot on top of black canopy. (ILL. 8)

**9** When not in use, place green mortar missiles into storage area as shown. (ILL. 9)

**10** If missile appears bent, be sure to straighten before dropping into cannon. **KEEP FACE AWAY FROM MORTAR CANNON AT ALL TIMES.** Drop green mortar missile into front of tan mortar cannon. Make sure missile stem protrudes from base of mortar cannon. To fire, pull on missile stem then release. (ILL. 10) **CAUTION:** Do not point missiles at eyes or face.

**NOTE:** If missiles become stuck inside cannon, remove cannon from cannon platform and shake missile out.

Peel and apply labels as shown.



## G.I. JOE PATRIOT™ OFFICIAL G.I. JOE VEHICLE SPECIFICATIONS

- 1) HIGH FREQUENCY, MICROWAVE SENSITIVE COMMUNICATIONS ANTENNA
- 2) SURFACE-TO-AIR MORTAR CANNON
- 3) TRIPLE-BARRELED LASER CANNON WITH QUICK-LOAD AMMO PORT
- 4) ANTI-GLARE PIVOTING COCKPIT CANOPY
- 5) QUICK RECOIL SIDE MACHINE GUN
- 6) THREE POLYCONIC SURFACE-TO-SURFACE MORTAR MISSILES
- 7) HEAVY-DUTY, CRASH ABSORBENT BUMPER WITH BATTERING RAM FUNCTION
- 8) MULTI-TERRAIN TRACK TREAD SYSTEM WITH TITANIUM REINFORCED AXLES

