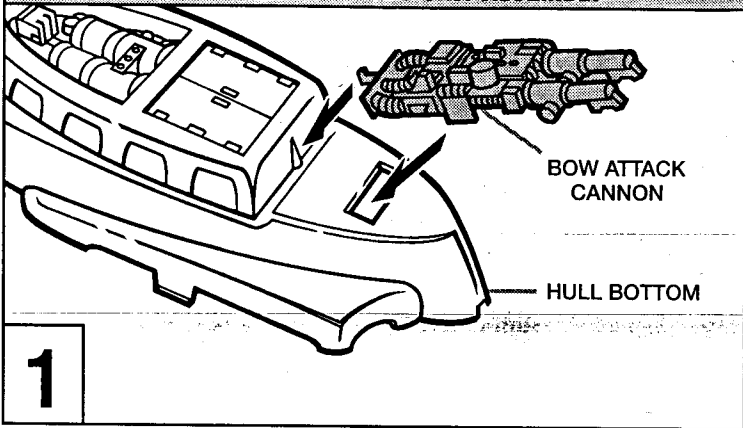


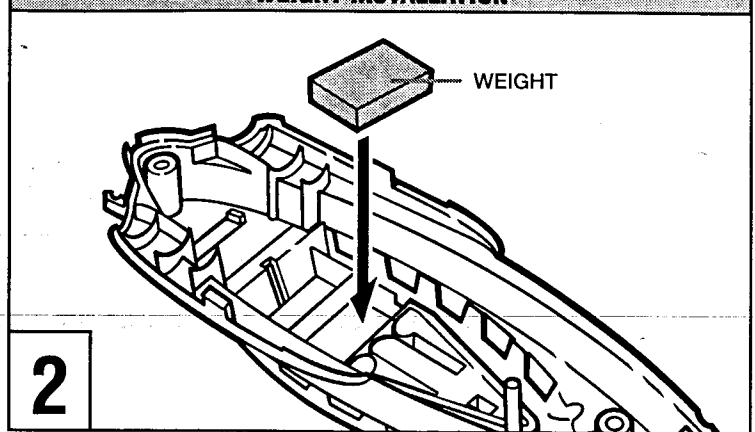
Includes: Hull top, hull bottom, weight, fin assembly, non-toxic carbonated tablet (Sodium Bicarbonate, Citric Acid, Cellulose), power plant cap, rubber seal, bridge, 3 torpedoes, antenna, periscope assembly and cannon. CAUTION: DO NOT POINT TORPEDO AT EYES OR FACE. DO NOT EAT DIVE-ACTION TABLET OR OTHER SMALL PARTS.

UNDERWATER TORPEDO UNIT ASSEMBLY



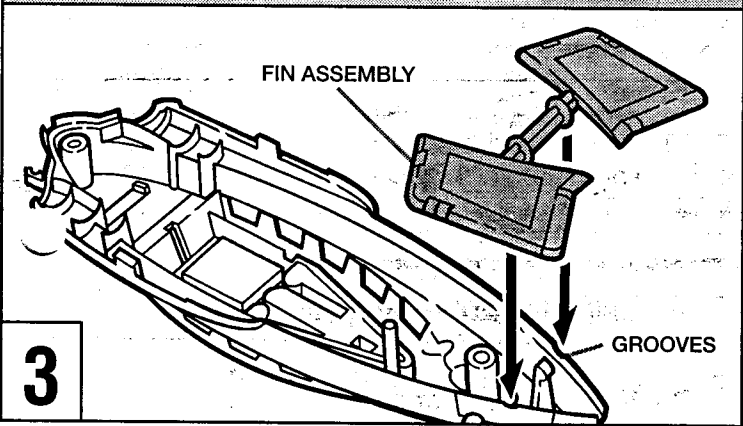
1

WEIGHT INSTALLATION



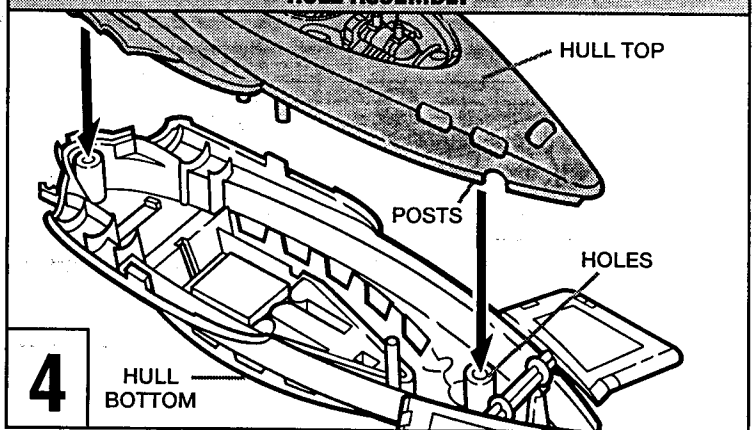
2

FIN ASSEMBLY INSTALLATION



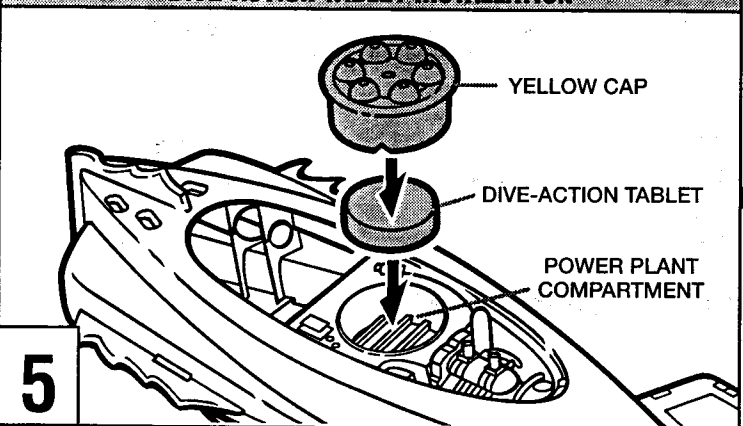
3

HULL ASSEMBLY



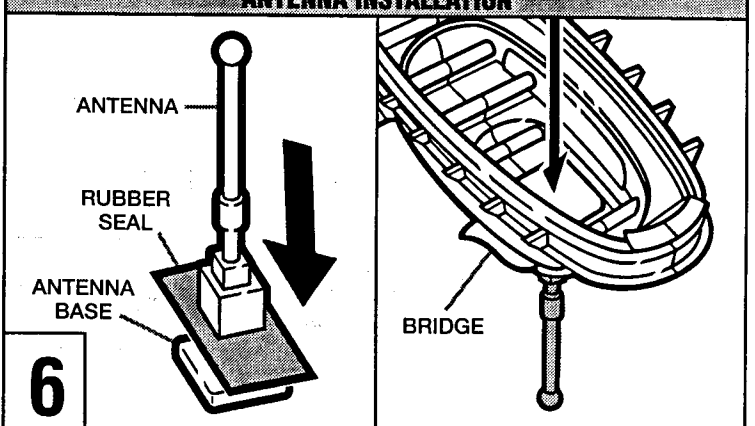
4

DIVE-ACTION TABLET INSTALLATION



5

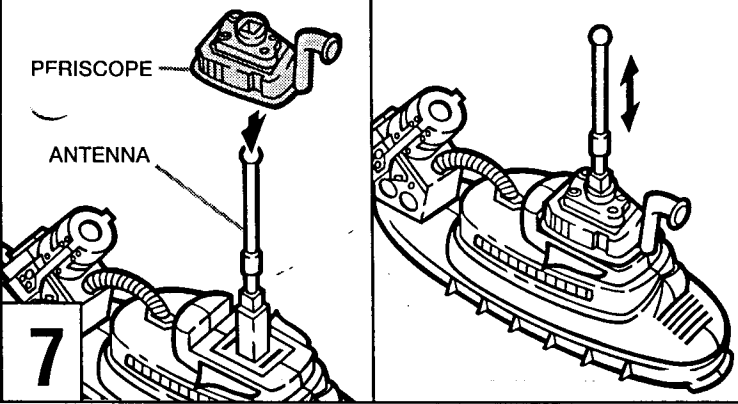
ANTENNA INSTALLATION



6

- 1 Turn hull bottom upside down. Hook yellow bow attack cannon into hull bottom and snap into place as shown. (ILL. 1)
- 2 Turn hull bottom right side up. Place on table with pointed end facing you. Insert weight into middle compartment. (ILL. 2)
- 3 Place yellow fin assembly in grooves at rear end of hull bottom. (ILL. 3)
- 4 Insert posts on hull top into holes on hull bottom. Snap into place. (ILL. 4)
- 5 Crumble dive-action tablet and drop it into power plant compartment. Press yellow cap into place until snug. DO NOT EAT NON-TOXIC CARBONATED TABLET. (ILL. 5)
- 6 Turn bridge upside down. Fit rubber seal over yellow antenna and slide down to antenna base. Put yellow antenna all the way through opening as shown. Antenna will move up and down. (ILL. 6)

PERISCOPE INSTALLATION



INSTALLATION OF BRIDGE

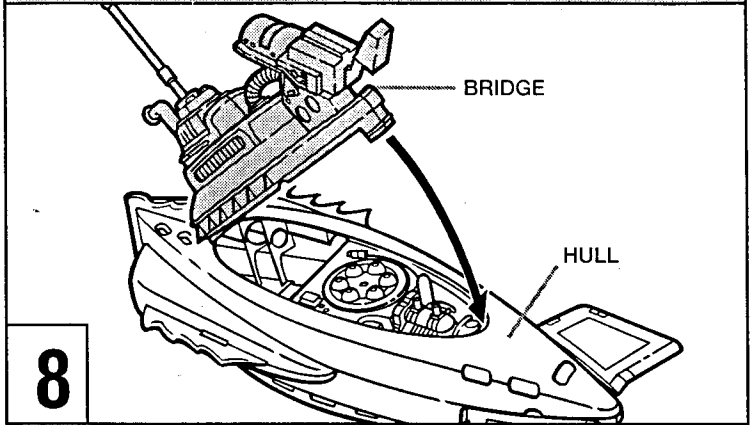
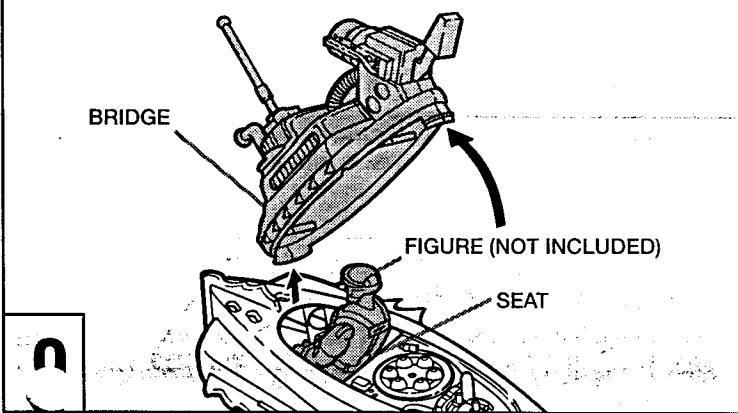
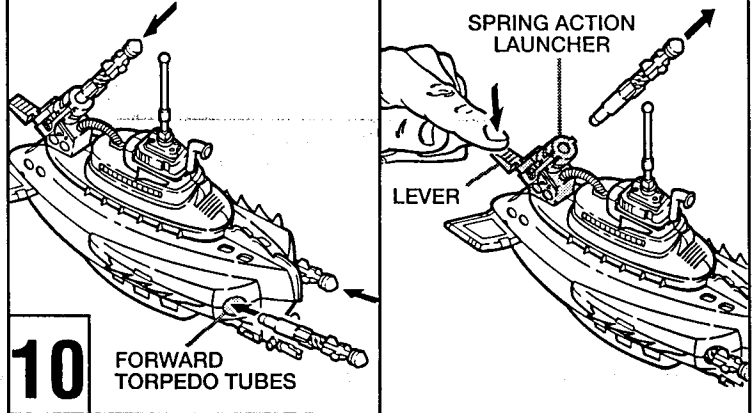


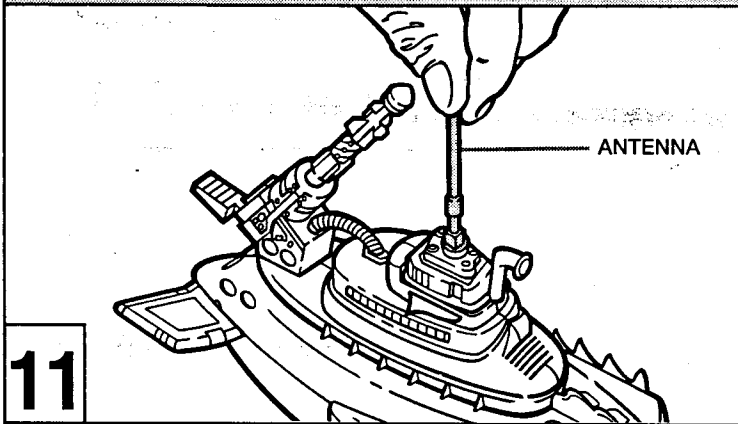
FIGURE PLACEMENT



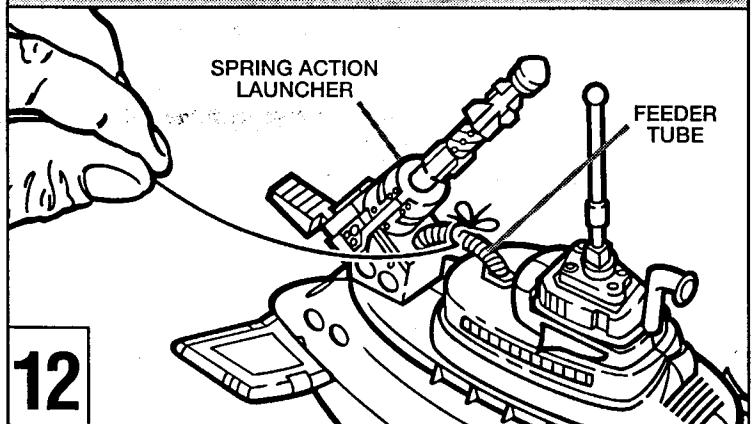
AMMO LOADING/PLACEMENT



OPERATION OF SUB



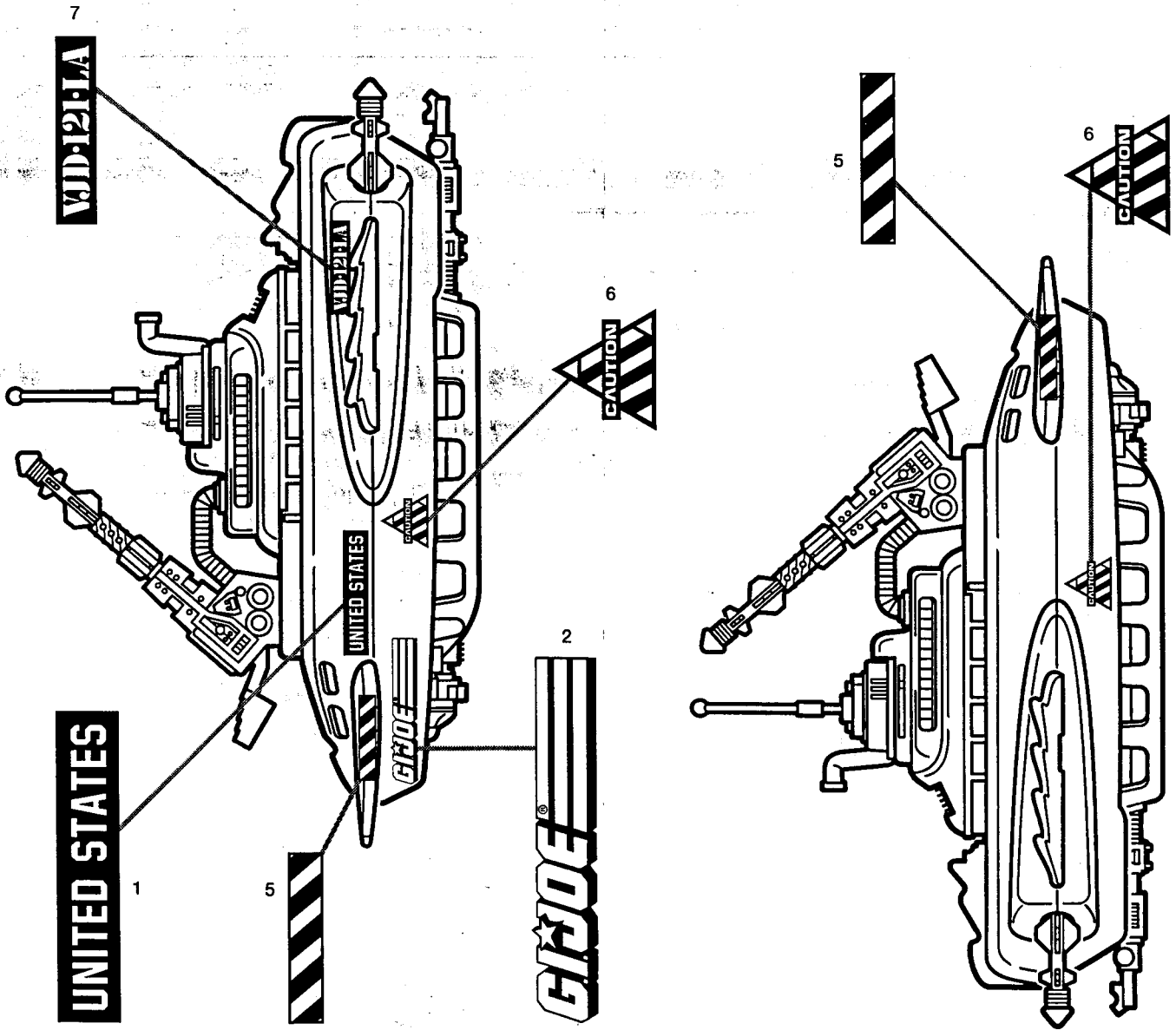
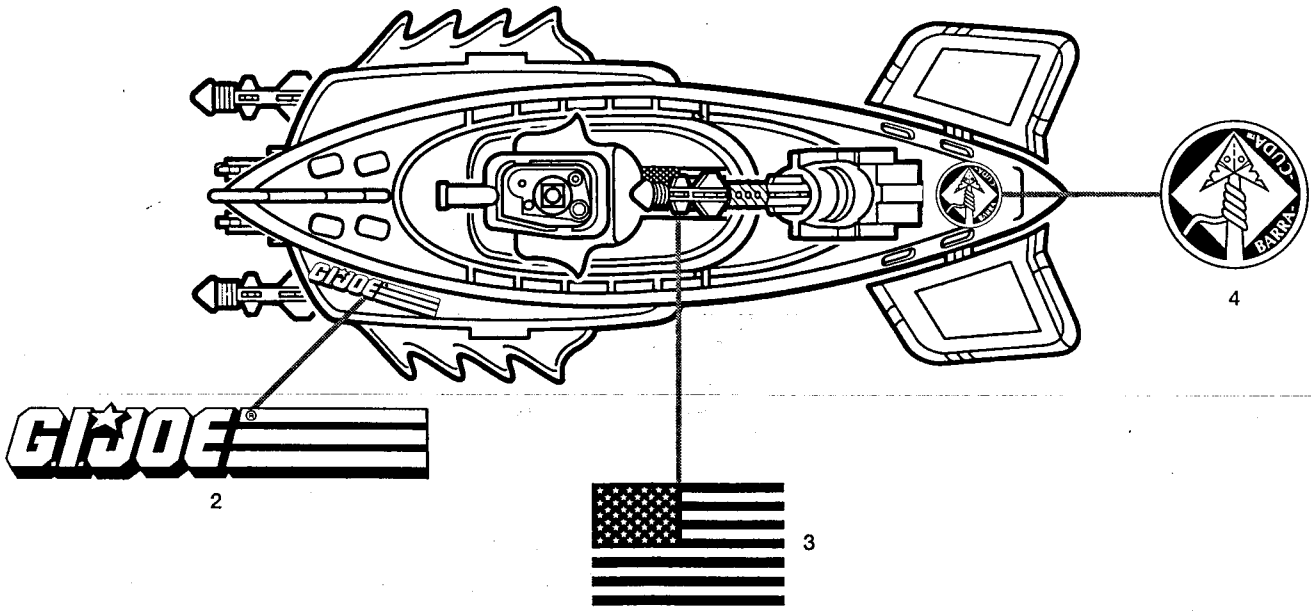
TO PREVENT LOSS OF SUB



- 7** Holding antenna in place, turn bridge right side up. Slide yellow periscope assembly over antenna. Snap into place as shown. (ILL. 7)
- 8** Hook bridge into hull top and snap into place as shown. (ILL. 8)
- 9** When a member of the G. I. Joe® team (not included) needs to go on a mission, remove bridge and place him in the seat located in the upper hull. Replace bridge. (ILL. 9)
- 10** Load two of the yellow long-range torpedoes into forward torpedo tubes, then insert third torpedo into spring action launcher. Press lever to fire torpedo. (ILL. 10)
- 11** To send sub on its first mission, hold by antenna and place in water. Sub will sink and rise to the surface. (ILL. 11)
- 12** When playing in large or deep bodies of water, remember to tie a string around feeder tube of spring action launcher. This will prevent the sub from "swimming" away. (ILL. 12)

HOW TO REFUEL SUB: When dive-action tablet is used up, sub will sink. To refuel, grasp launcher and pull to remove bridge. Remove yellow cap, wipe power plant dry and fill halfway with fresh baking powder. Replace yellow cap as described in step 5. NOTE: If you have difficulty removing yellow cap, use a small coin to pry it off.

Peel and apply labels as shown.



G.I. JOE® BARRACUDA™

OFFICIAL G.I. JOE VEHICLE SPECIFICATIONS

- 1) SUBAQUATIC BOW ATTACK CANNON
- 2) TORPEDO STORAGE TUBES SHIELDED WITH TOP SECRET ALLOY
- 3) "STEEL-SLICING" CUTTER FINS WITH LETHAL QUICK-SLICE BARBS
- 4) LONG-RANGE, TITANIUM REINFORCED SHREDDER TORPEDOES
- 5) ATTACK-RESISTANT POWER PLANT HOLDS ORGANIC FUEL POD
- 6) HIGH-IMPACT, POLYCONIC TORPEDO LAUNCHER WITH MEGA ROUND CAPACITY
- 7) MOVEABLE STABILIZER FINS WITH NAVAGATIONAL INDICATOR FLAPS

