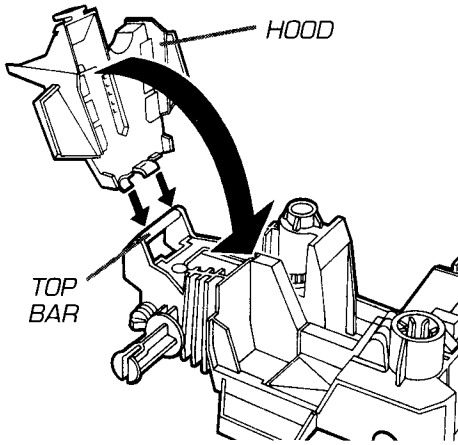


CONTAINS: Vehicle body, rear axle, 4 wheels, launcher, launcher pivot, 3 missiles, weapon, fuel tank, front bumper, hood and label sheet.

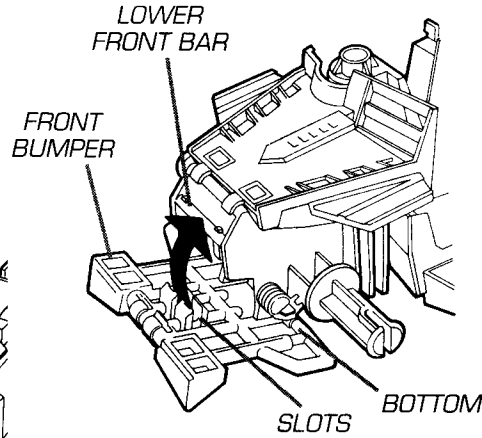
WARNING

Contains small parts which may present a choking hazard to children under three.



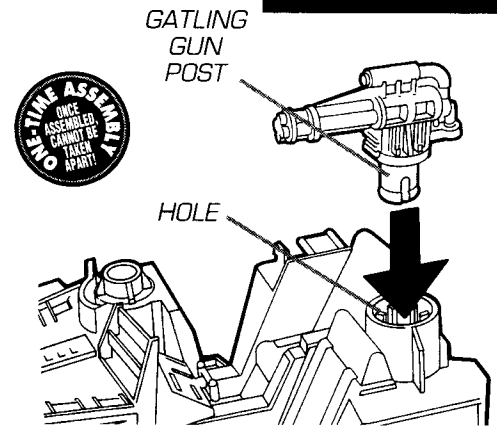
1. VEHICLE HOOD ASSEMBLY

Snap front of hood onto top bar at front of vehicle. Snap hood down to lock in place. Hood is designed to open and close.



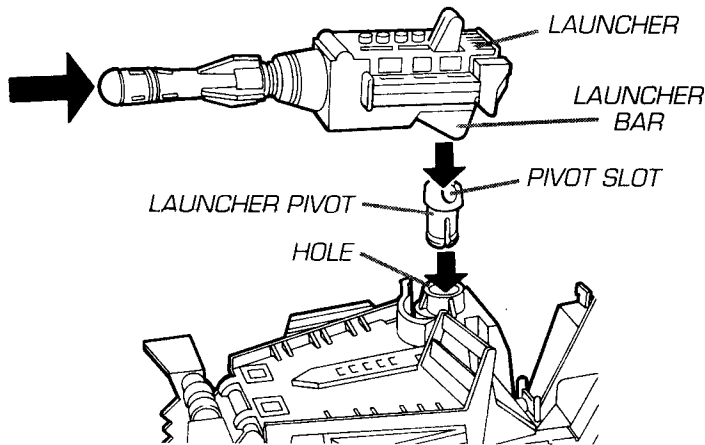
2. FRONT BUMPER ASSY.

Position bottom of bumper below front of vehicle, then snap slots up onto lower front bar as shown.



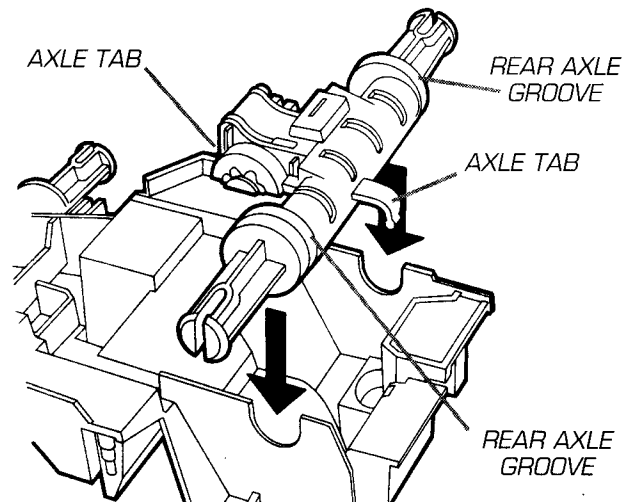
3. GATLING GUN ASSEMBLY

Snap gatling gun post into back vehicle hole as shown.



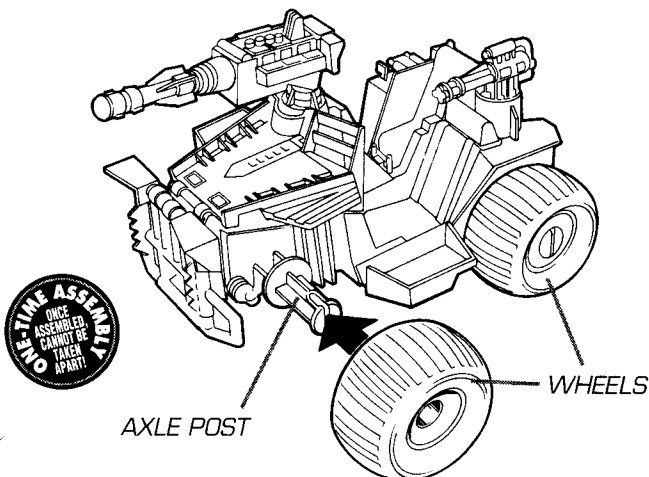
4. LAUNCHER ASSEMBLY

Snap launcher pivot into turret hole. Snap launcher bar into launcher pivot slot. Insert missile into barrel and lock in place. To fire, press trigger. **CAUTION: DO NOT AIM WEAPON AT EYES OR FACE.**



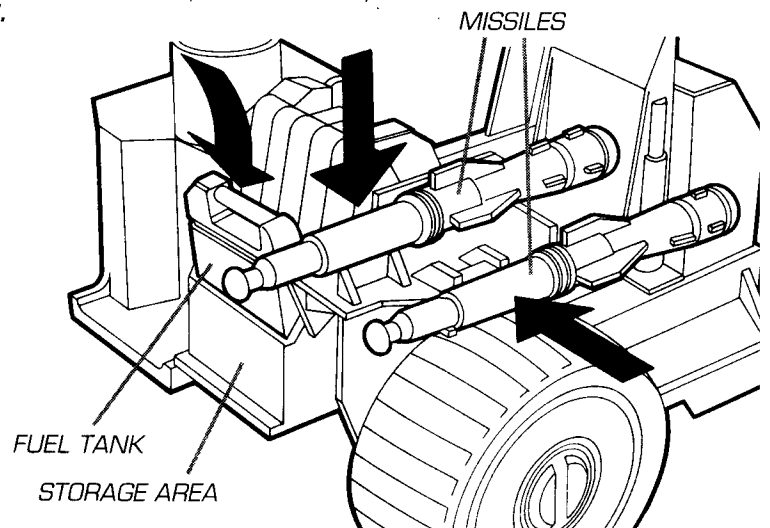
5. REAR AXLE ASSEMBLY

Hold vehicle upside down and fit rear axle grooves into sides of vehicle. Snap axle tabs into place.



6. WHEEL ASSEMBLY

Snap wheels (4) onto axle posts as shown.



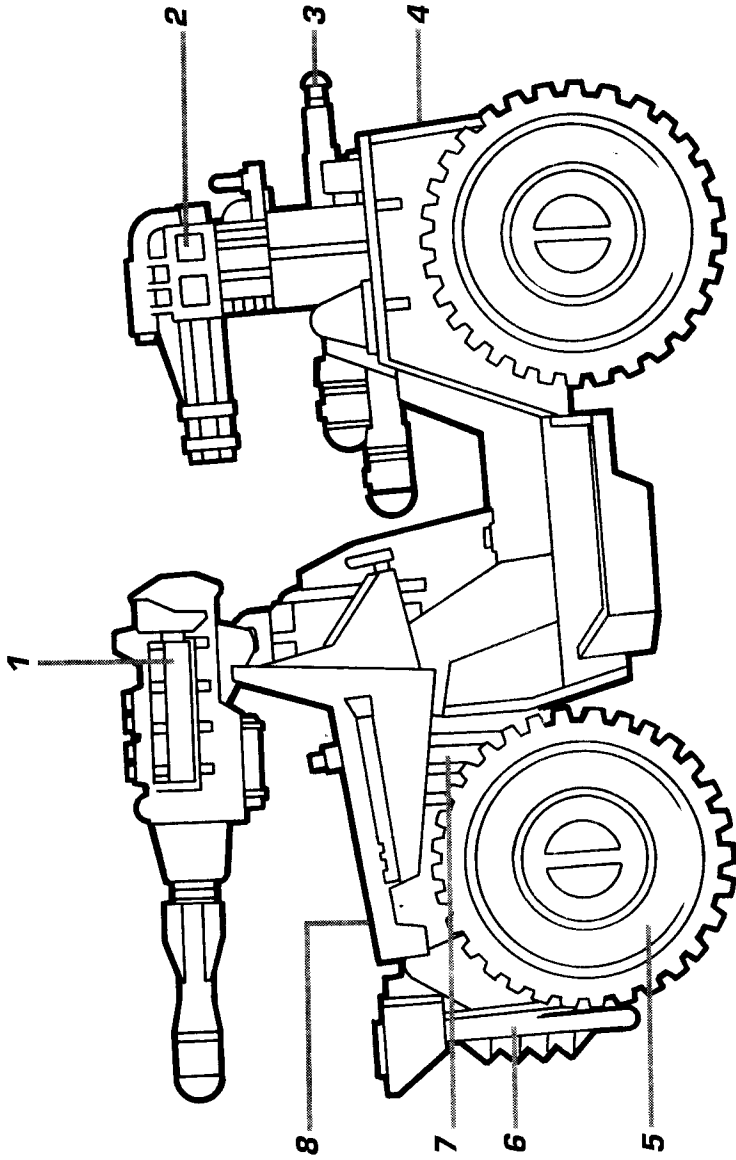
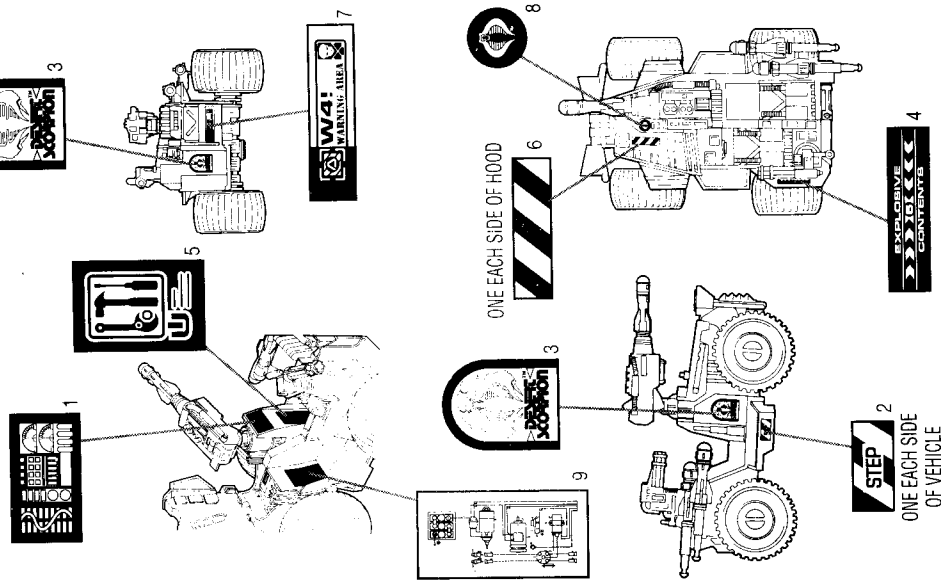
7. FUEL TANK/MISSILE STORAGE

Fit removable fuel tank into storage area at rear of vehicle. Missiles store on tabs at back of vehicle as shown.

GIJOE[®]

A COBRA™ COMMAND WEAPON

Peel and apply labels as shown.



SCORPION™ OFFICIAL COBRA™ VEHICLE SPECIFICATIONS

1. 360° ROTATING MISSILE LAUNCHER
2. PIVOTING GATLING GUN
3. 3 MISSILES
4. REMOVABLE FUEL TANK
5. DESERT TERRAIN MONSTER TIRES
6. OASIS-MASHING FRONT BUMPER
7. FUEL-INJECTED V-8 POWER PLANT
8. OPENING ARMOR-PLATED HOOD

HASBRO TOY
A DIVISION OF HASBRO, INC.

Product and colors may vary.
Approximate size of vehicle is 7" L x 5" W x 4 1/2" H.
©1993 Hasbro, Inc., Pawtucket, RI 02862 U.S.A. All Rights Reserved.
MADE IN USA.
6134 P/N 44200400