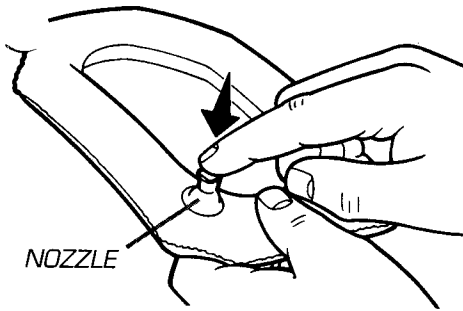


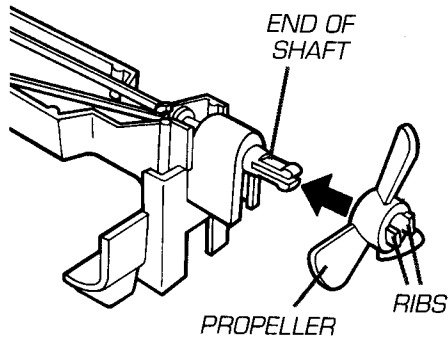
**CONTAINS:** Inflatable boat, hull section, boat topside, outboard engine, engine cover, propeller, propeller shaft, launcher, 3 torpedoes, 2 torpedo racks, 2 rubber bands, flag and label sheet.

**WARNING**  
Contains small parts which may present a choking hazard to children under three.



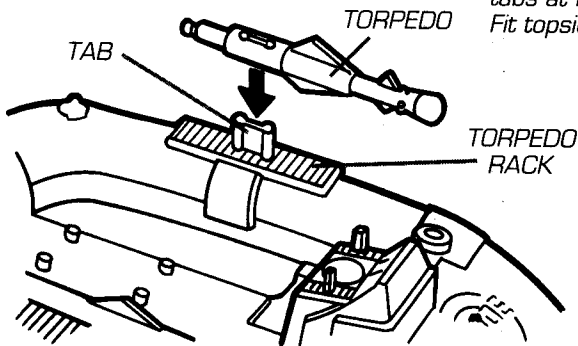
### 1. INFLATING BOAT

Blow into nozzle until boat is inflated. Then push nozzle down into place as shown.



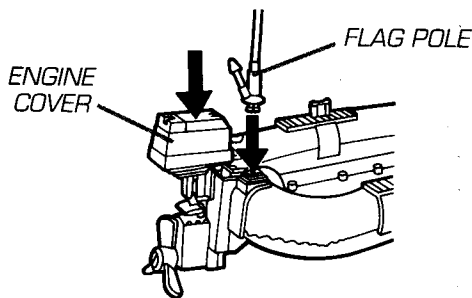
### 4. PROPELLER ASSEMBLY

Insert end of shaft into propeller hole so that tabs at end of shaft fit between ribs on propeller.



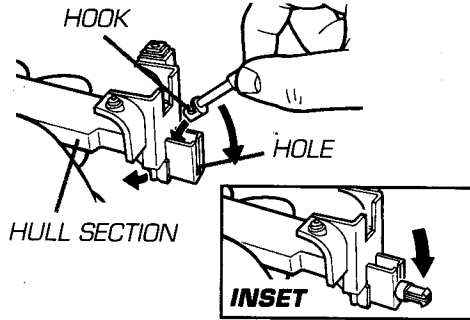
### 7. TORPEDO RACK ASSEMBLY

Fit torpedo racks onto sides of boat. Torpedoes store on torpedo rack tabs as shown.



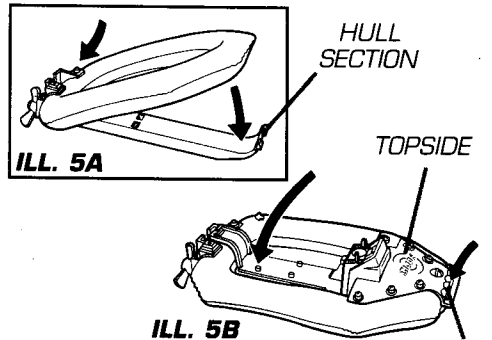
### 9. ENGINE COVER/FLAG ASSEMBLY

Place the removable engine cover over engine as shown. Insert flag post into hole.



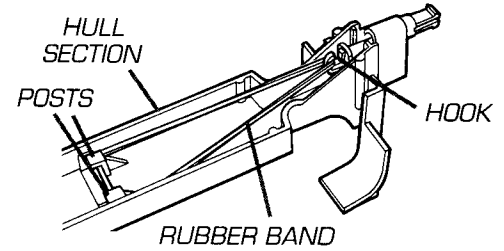
### 2. PROPELLER SHAFT ASSY.

With hook facing up, insert shaft through hole in back of hull section. Then swing end of shaft down to position shown (INSET).



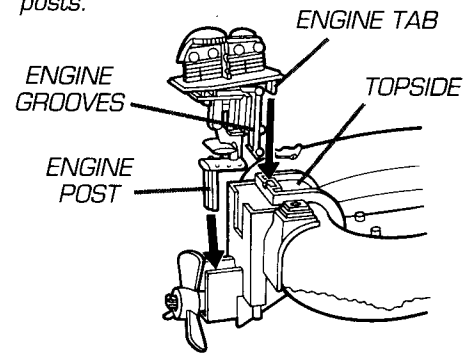
### 5. HULL ASSEMBLY

Turn hull section over and fit back of boat into back of hull section, then lower front of boat into front of hull section (ILL. 5A). Snap tabs at front of hull into slots in topside. Fit topside down into boat.



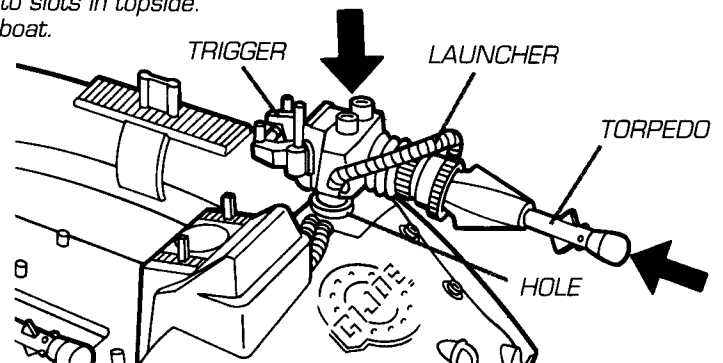
### 3. ATTACHING RUBBER BANDS

Turn hull section upside down. Loop rubber band onto propeller shaft hook, then onto posts.



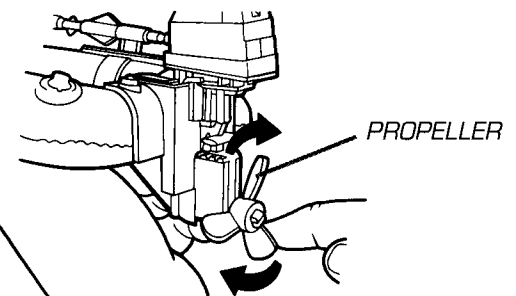
### 6. ENGINE ASSEMBLY

To secure the topside to the hull section, insert the engine tab, engine grooves and engine post down into place as shown.



### 8. TORPEDO LAUNCHER

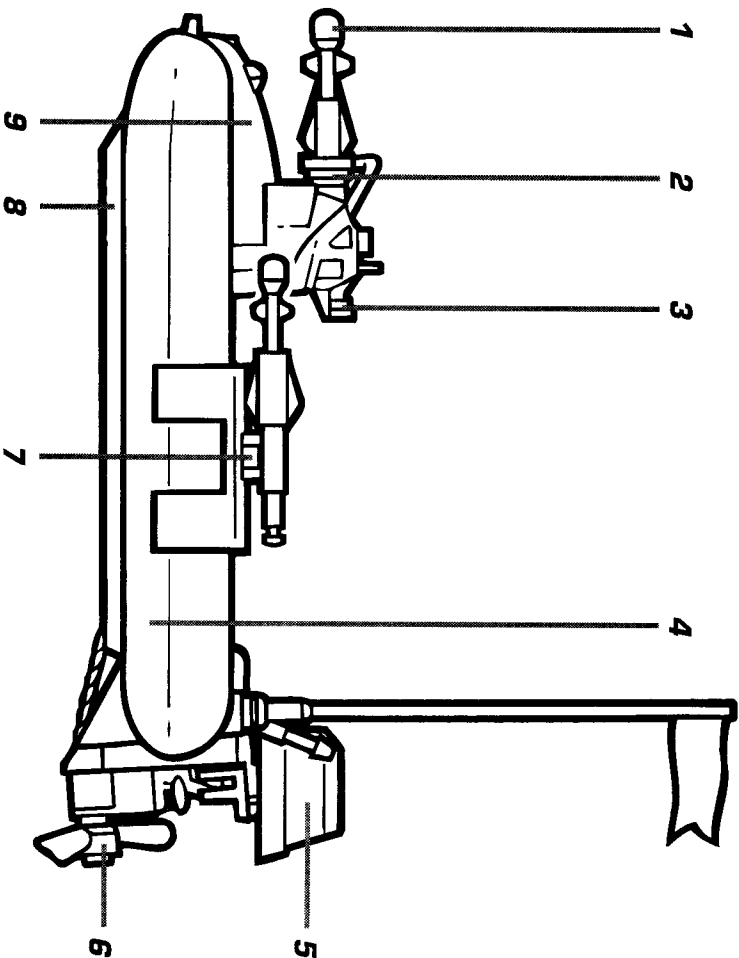
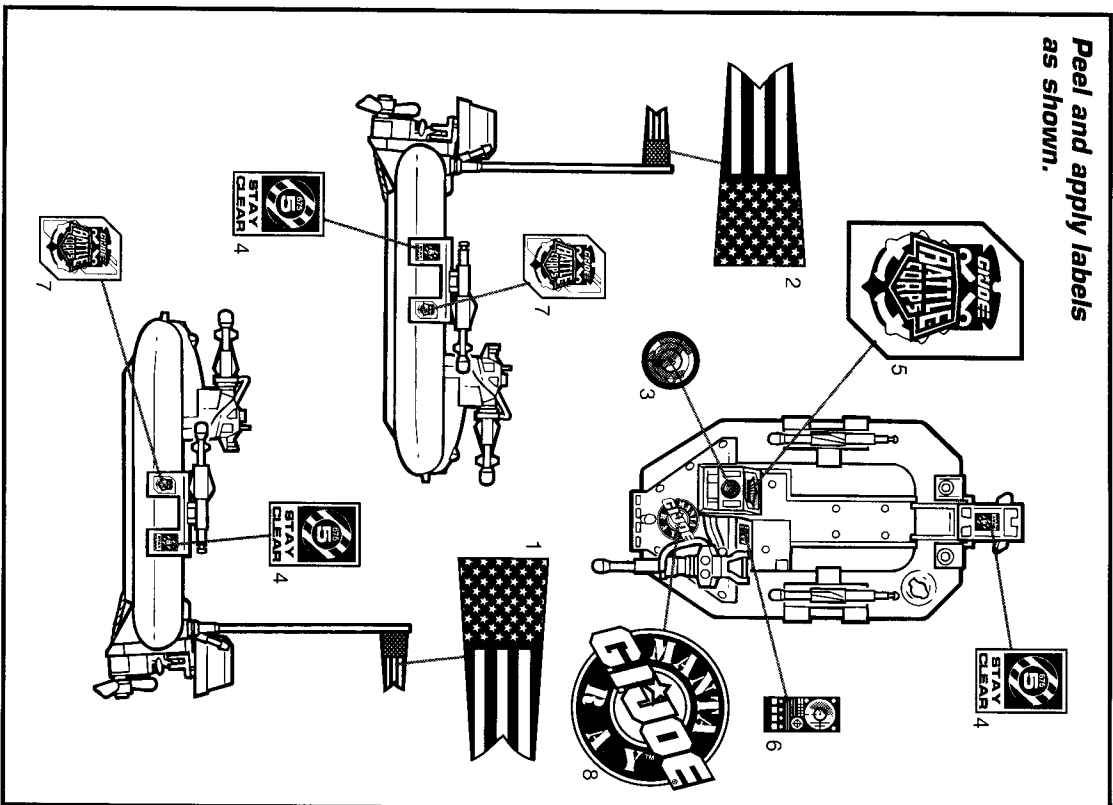
Insert post on launcher into hole in topside. Insert torpedo into barrel and lock in place. To fire, press trigger. CAUTION: DO NOT AIM WEAPON AT EYES OR FACE.



### 10. LAUNCHING MANTA-RAY™

Your MANTA-RAY is ready for action! Wind propeller and hold in position. Place boat in water, then release propeller for water blasting commando adventures!

Peel and apply labels as shown.



1. 3 "LOCK ON" TORPEDOES
2. FRONT MOUNTED SUPER-CHARGED TORPEDO LAUNCHER
3. CONTROL CONSOLE WITH DUAL STEERING GRIPS
4. SHARK-PROOF INFLATABLE COMMANDO BOAT
5. TURBO-BLAST ENGINE WITH REMOVABLE COVER
6. RAZOR-SHARP WIND-UP SPEED PROP
7. DUAL-MOUNTED TORPEDO RACKS
8. BEACH-BLASTING REINFORCED HULL SECTION
9. BULLET-PROOF TOPSIDE CANOPY/DECK

## MANTA RAY™ OFFICIAL G.I. JOE™ VEHICLE SPECIFICATIONS

**HASBRO TOY**  
A DIVISION OF HASBRO INC.

Product and colors may vary.  
Approximate size of vehicle is 10 1/4" L x 5 1/4" W x 2 3/4" H.  
©1993 Hasbro, Inc., Pawtucket, RI 02862 U.S.A. All Rights Reserved.  
INFLATABLE RAFT MADE IN MEXICO. ALL OTHER PARTS MADE IN USA.  
6132 P/N 44256500