

Ages 5 and up.

# GUIDE

EXTREME™

## ROADBULLET ASSAULT CYCLE™

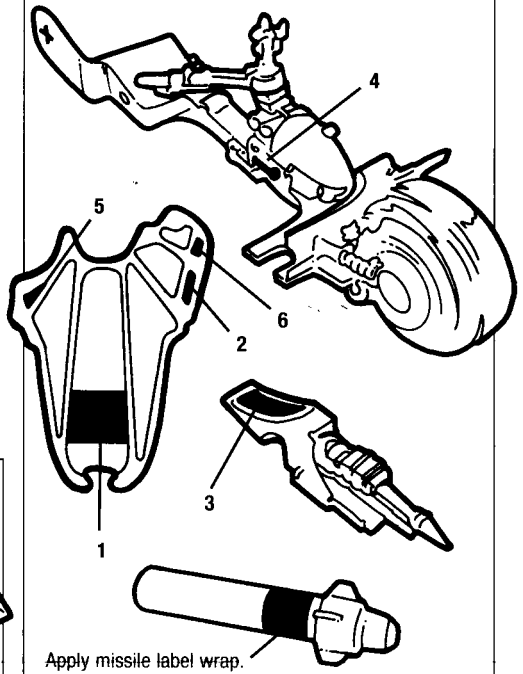
### Instruction Sheet

#### ⚠ WARNING:

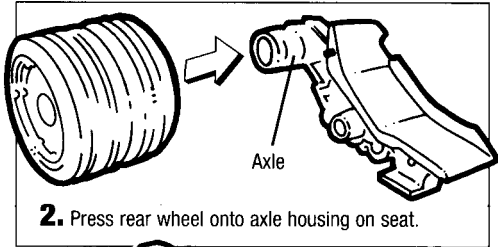
CHOKING HAZARD - Small parts.  
Not for children under 3 years.

81203

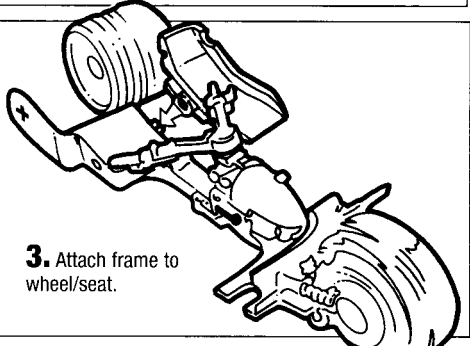
1. Using this illustration and package photographs as a guide, apply labels to unassembled parts as shown.



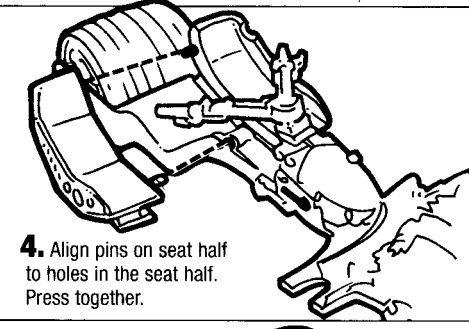
Apply missile label wrap.



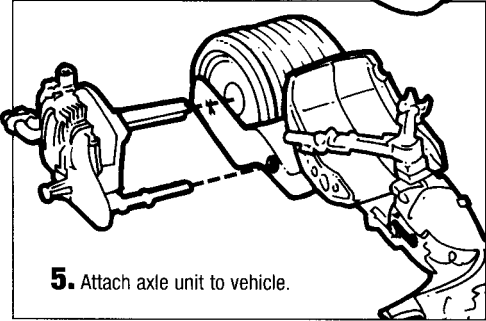
2. Press rear wheel onto axle housing on seat.



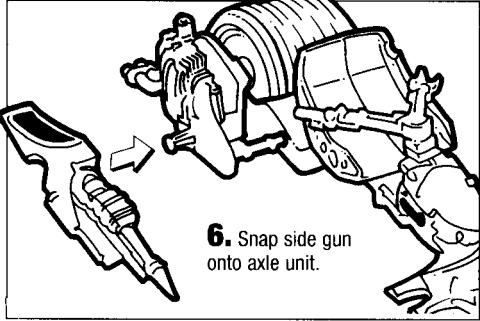
3. Attach frame to wheel/seat.



4. Align pins on seat half to holes in the seat half. Press together.

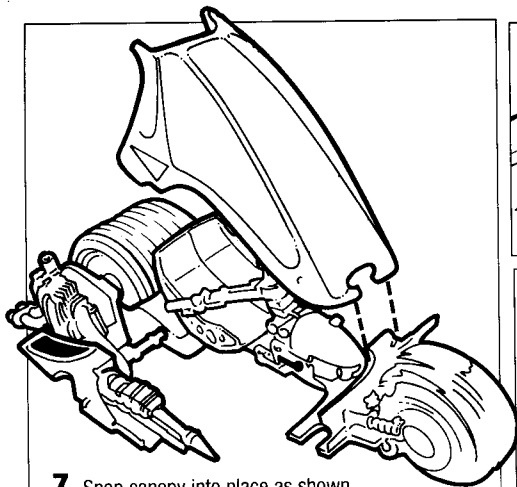


5. Attach axle unit to vehicle.

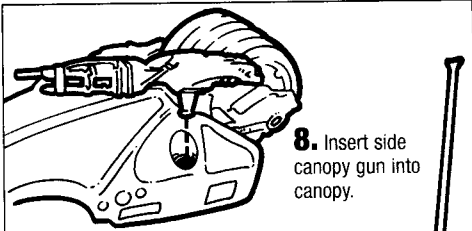


6. Snap side gun onto axle unit.

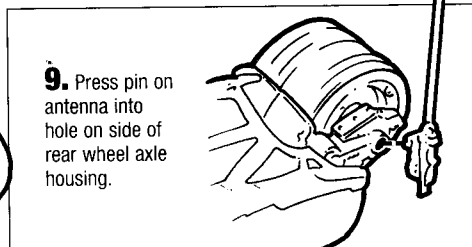




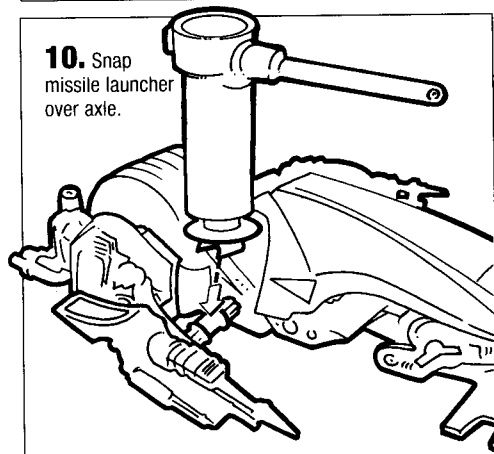
**7.** Snap canopy into place as shown.



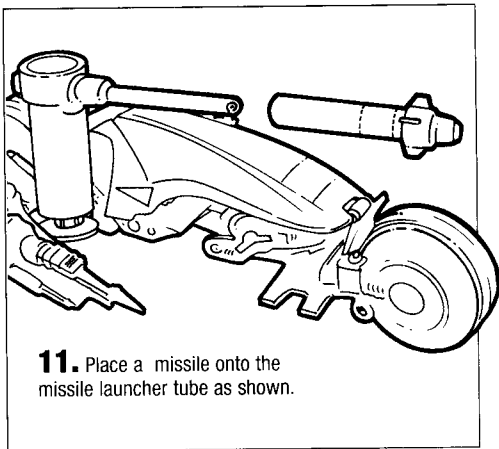
**8.** Insert side canopy gun into canopy.



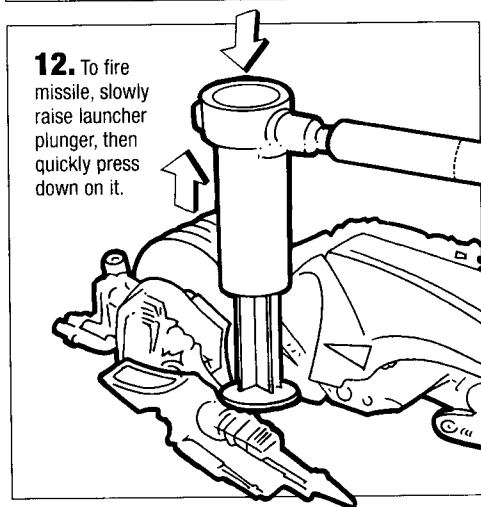
**9.** Press pin on antenna into hole on side of rear wheel axle housing.



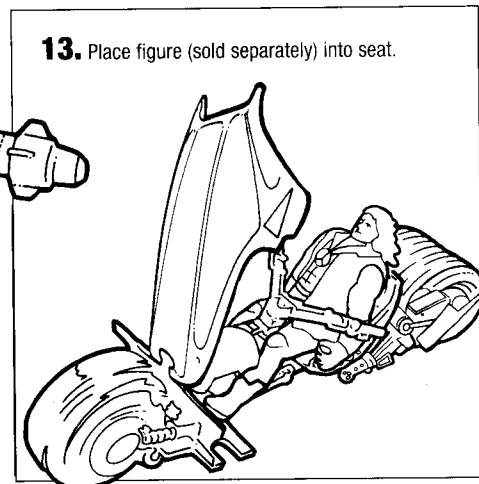
**10.** Snap missile launcher over axle.



**11.** Place a missile onto the missile launcher tube as shown.



**12.** To fire missile, slowly raise launcher plunger, then quickly press down on it.



**13.** Place figure (sold separately) into seat.