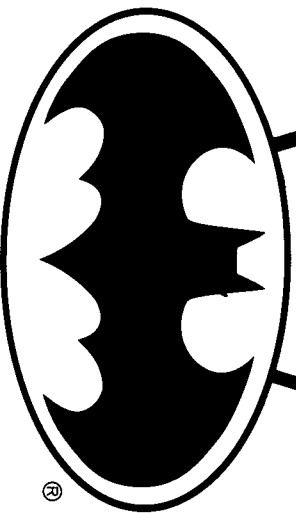


BATMAN®
RETURNS



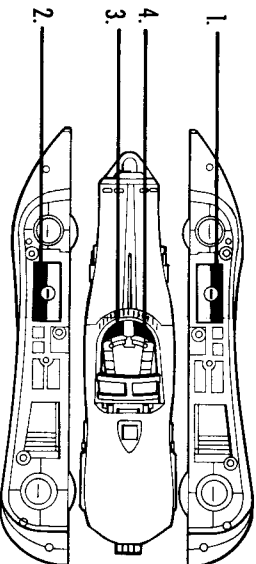
BATMISSILE™ BATMOBILE™ VEHICLE

TM and ® indicate a trademark
DC Comics Inc. BATMAN, THE
PENGUIN, ROBIN and all related
characters, accessories and indicia
are trademarks of DC Comics Inc.
© 1992. All Rights Reserved.

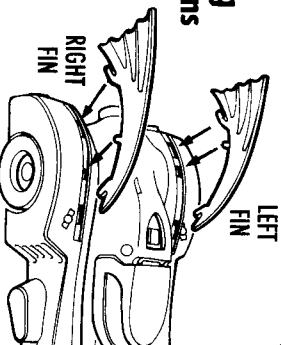
Kemner®
*Kemner Products, A Division
of Tonka Corporation

ASSEMBLY INSTRUCTIONS

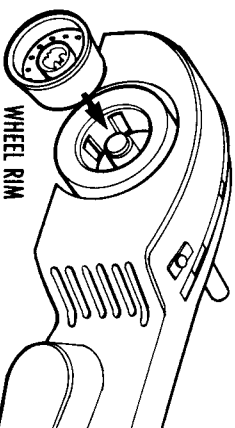
1. Apply labels using this illustration as a guide.



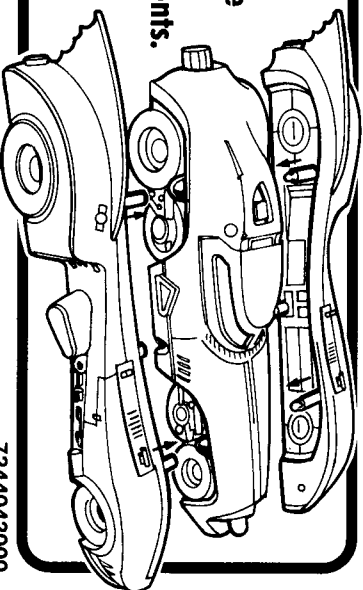
3. Install the two rear fins by sliding front tab on the fins into the fender openings then pressing the back pins down into place.
Note: left & right fins are different.



2. Push wheel rim into the center of each of the 8 wheels.

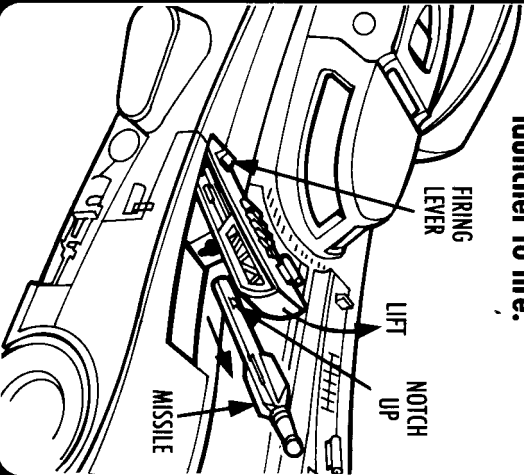


4. Assemble all three components.

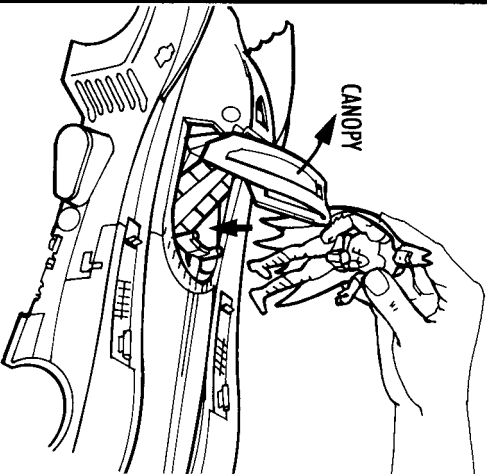


OPERATION INSTRUCTIONS

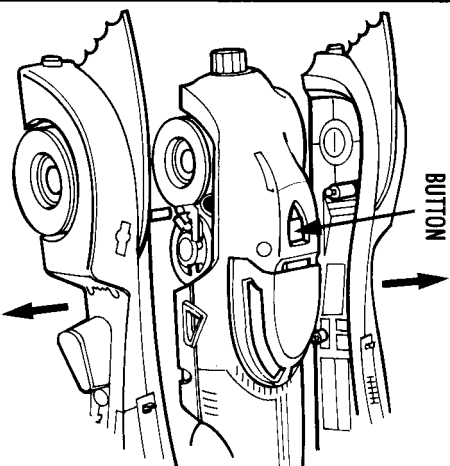
- 5** Lift missile launcher and load missile with notch up. Press lever at rear of launcher to fire.



- 6** Raise canopy and insert BATMAN® figure.



- 7** Press button firmly to blow off sides and reveal BATMISSILE™ vehicle.



- 8** Note: the two sides will also assemble to create a drone vehicle.

