

# ALIENS™

ELECTRONIC HOVERTREAD™  
VEHICLE

506539000

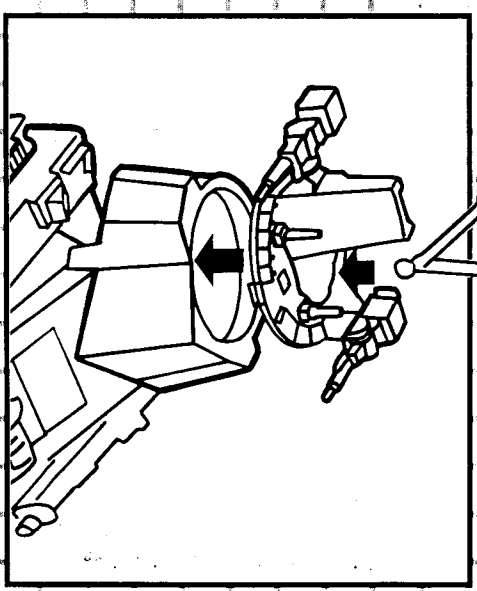
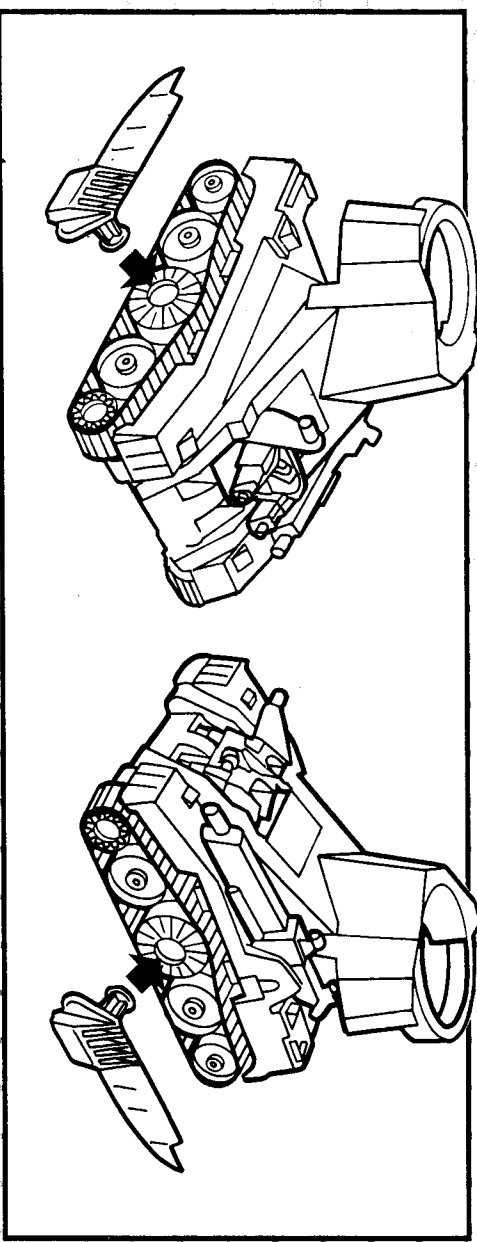
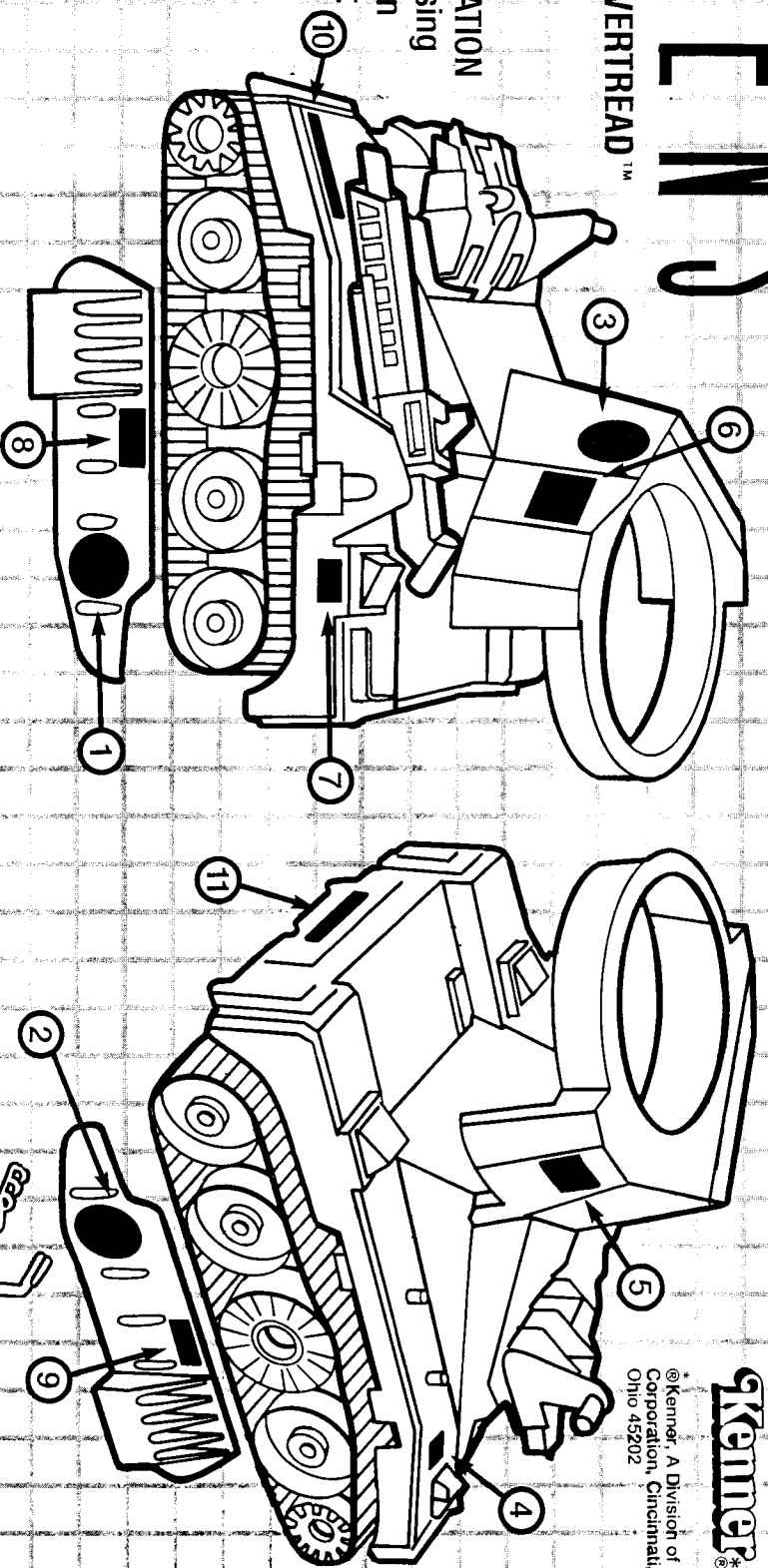
Aliens™, ©1992 Twentieth-Century  
Fox Film Corporation.  
All Rights Reserved.

**Kemper**®

\*Kemper, A Division of Tonka  
Corporation, Cincinnati,  
Ohio 45202

**1. LABEL APPLICATION**  
Apply labels using  
the numbers on  
the label sheet  
and these  
illustrations as  
a guide.

**ASSEMBLY**

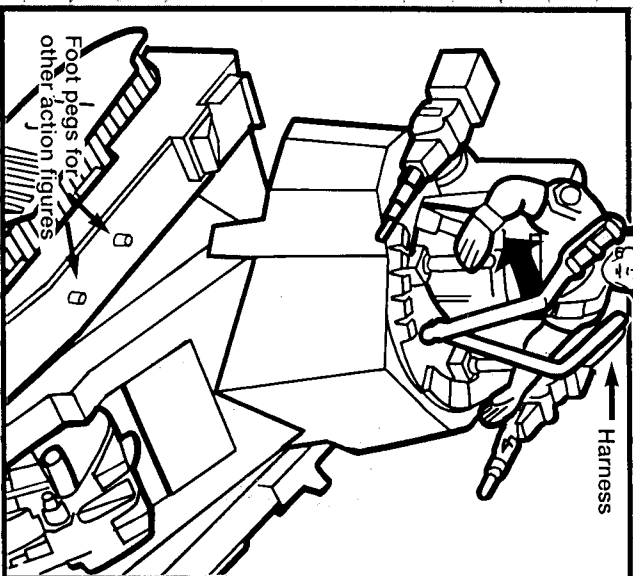


Snap each wing post into middle tread wheel.

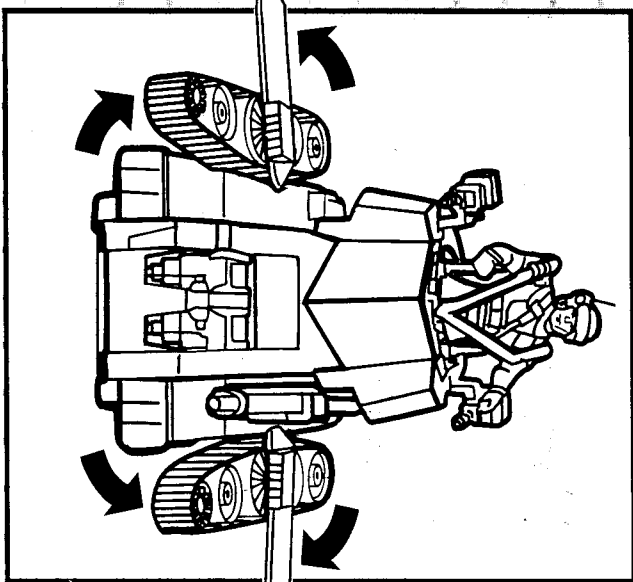
**2.** Snap rotating gun turret into top of  
vehicle; then snap pivot ball of  
harness into rotating gun turret.



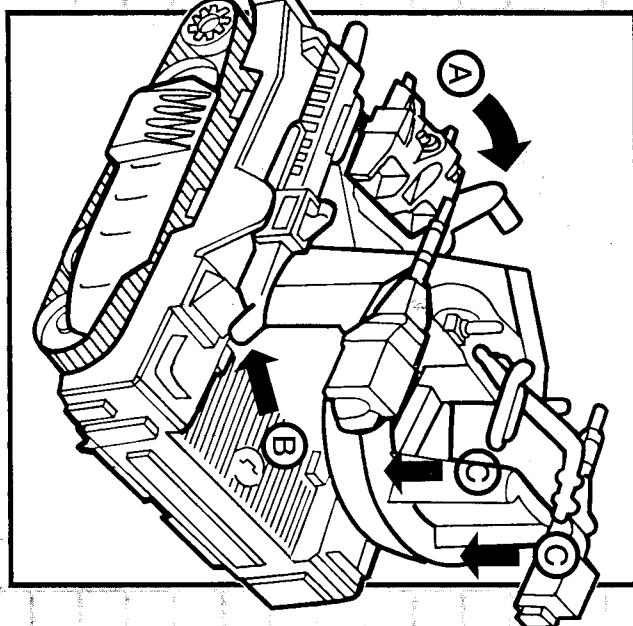
# OPERATION



**4.** Insert figure into rotating gun turret, placing harness over shoulders to hold figure in place.



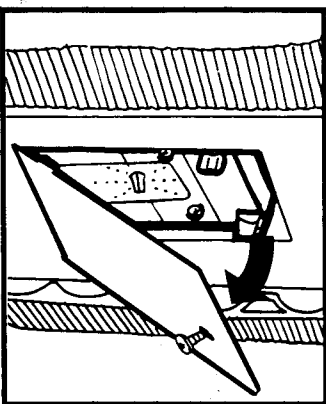
**5.** To shift into "flying" mode: flip treads up, rotate wings outward.



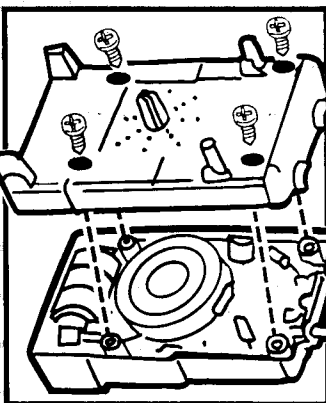
**6.** With sound pack in place hear sounds by:  
**A.** Pulling lever up to fire laser gun.  
**B.** Pushing down on rear of cannon to fire cannon.  
**C.** Pressing down on back of turret to fire machine gun.

## SOUND PACK INSTALLATION AND BATTERY REPLACEMENT

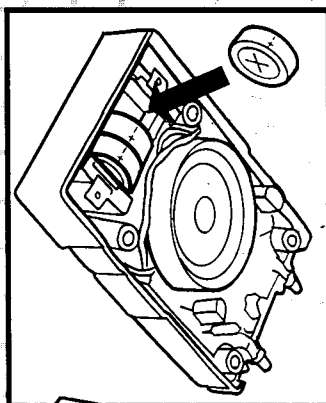
Phillips® head screwdriver required (not included)



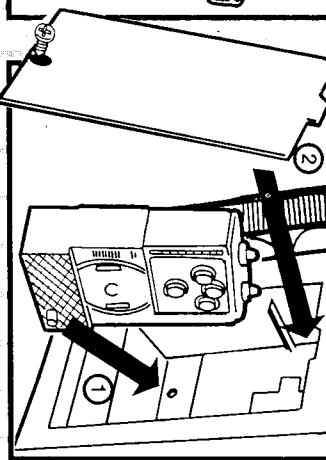
**A.** Loosen screw at top of sound pack compartment to remove door.



**B.** Remove sound pack and unscrew 4 screws in rear. Separate sound pack so as to not destroy speaker and wires.



**C.** Remove old batteries. Insert 3 new 357A button size batteries as shown. Properly insert batteries to avoid leakage. Replace back and 4 screws. To test sounds and lights press one of the four buttons on the opposite side.



**D.** 1. Replace sound pack so that the post fits into hole in the interior compartment.  
 2. Fit tab of compartment cover into slot and close it, fastening it with the compartment screw.