

Create and obliterate
gooey Monsters, Inc. characters!



WARNING:

CHOKING HAZARD - Small parts.
Not for children under 3 years.

Ages 5 & Up
3818

23-19 Splatter Dome™*

TRAINING MANUAL

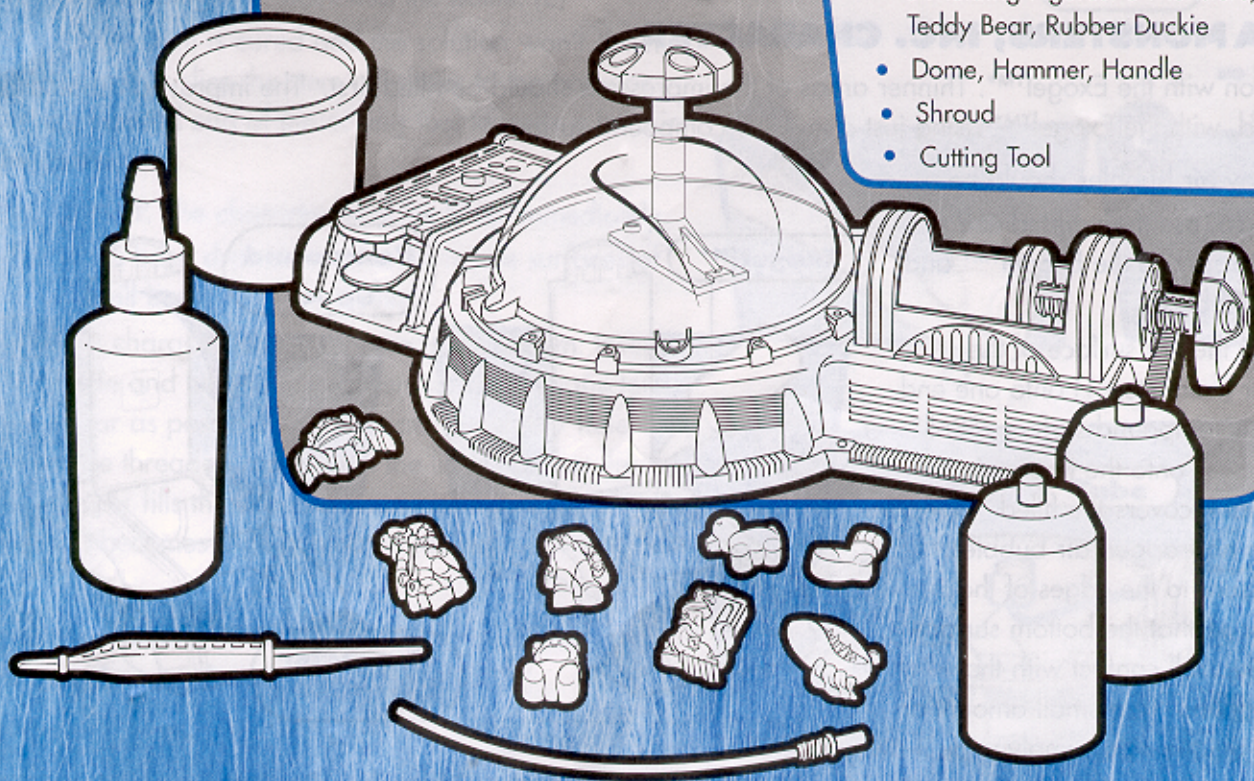
Thank you for purchasing this exciting Monsters, Inc. playset! Please read and follow all instructions carefully for maximum play value.



Disney·PIXAR
MONSTERS, INC.

PARTS LIST

- (1) 5-Ounce Can of Compound 23-19™* (Net Weight 5 oz., 141 grams)
- (1) 4-Ounce Bottle of Exogel™* (Net Weight 4 Oz., 113 Grams)
- (2) 2-Ounce Canisters of Unrefined Liquid Scream (Total Net Weight 4 Oz., 113 Grams), Canister Tube, Tube Nozzle
- Main Base
- Molding Unit, Molding Box, Lid
- 8 Molding Figures: 5 Monsters, Sock, Teddy Bear, Rubber Duckie
- Dome, Hammer, Handle
- Shroud
- Cutting Tool



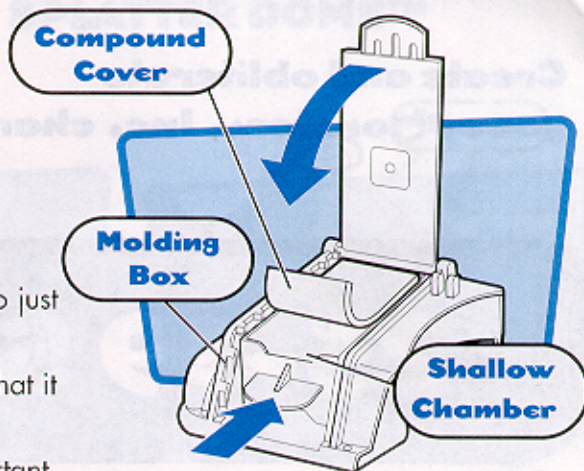
TO MAKE MONSTERS, INC. CREATIONS

In under 5 minutes, you can create a squishy, slimy Monsters, Inc. character!

1. MOLD THE COMPOUND COVER

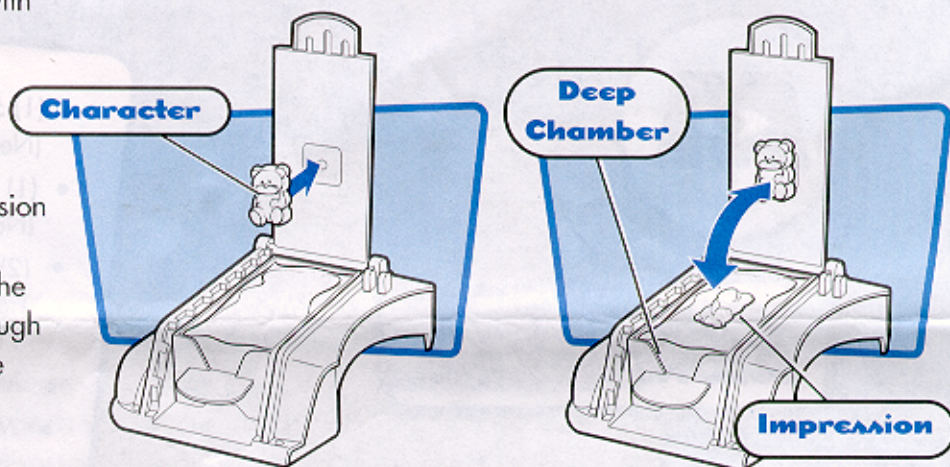
(The compound cover will be used to cover and cure your Monsters, Inc. creation.)

- Fill the shallow chamber of the molding box with Compound 23-19™* to just above the top of the chamber.
- Place the chamber into the molding unit as shown, then close the lid so that it flattens the compound. (Peel away any excess compound.)
- Remove the compound from the chamber and set aside. Note: It is important that one side of the compound cover be smooth and flat.



2. MAKE THE CHARACTER IMPRESSION

- Fit a figure onto the shaped hole in the lid. (Be sure the back surface of the character is in contact with the lid.)
- Fill the deep chamber of the molding box with Compound 23-19 to just above the top of the chamber.
- Place the chamber into the molding unit as shown, then close the molding lid so that it flattens the compound and forms an impression in the shape of the figure. (Peel away any excess compound.) Lift the lid and remove the figure from the lid (press character pin through hole in the lid). Note: It is important that the surface around the impression be smooth and flat.

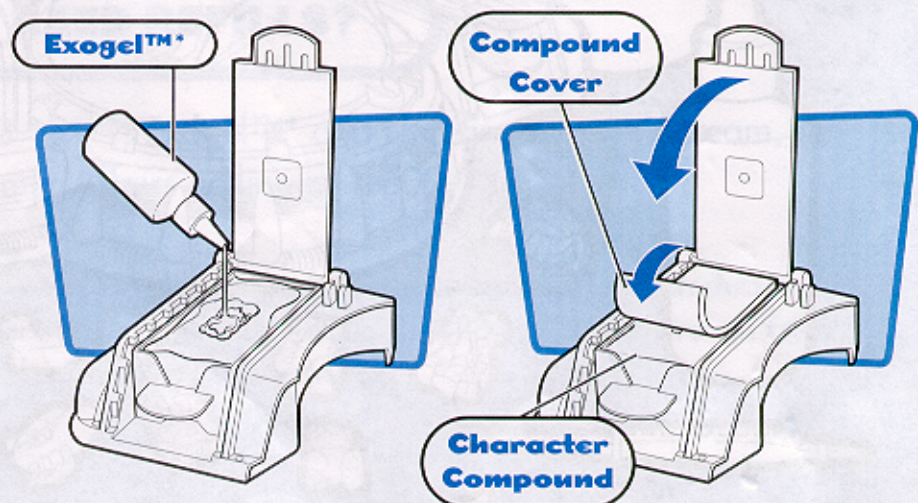


3. CREATE A MONSTERS, INC. CHARACTER

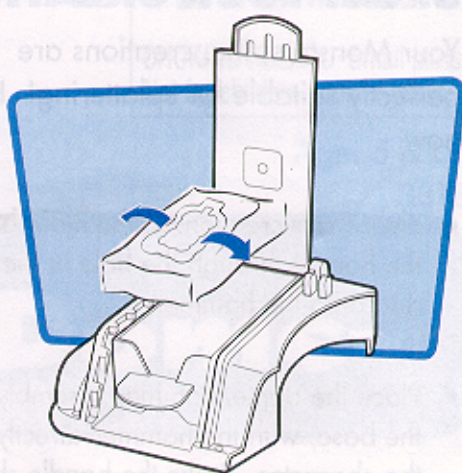
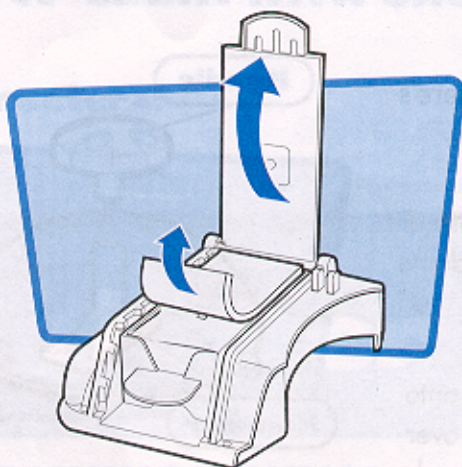
- Fill the impression with the Exogel™*. Thinner areas of the impression should be filled first. The impression should be slightly overfilled, with the Exogel™* rising just above the compound surface.

Important: Any air bubbles should be removed. To do so, use the pointed end of the cutting tool to spread the Exogel™* and remove the air bubbles.

- Place one end of the flat surface of the compound cover (from step 1) onto one end of the impression compound surface. "Roll" the compound cover onto the impression compound so that it covers the filled impression, with no trapped air bubbles. Apply light pressure to the edges of the compound cover so that the bottom surface of the cover makes full contact with the impression compound. (If a small amount of Exogel™* spills out the side, simply wipe it away.)
- Allow the Exogel™* to cure for 2 minutes, then turn the character impression over and let it cure for 2 more minutes.



- Remove the character impression compound from the molding box. Peel back the compound cover to expose the character. At this point, the character should have skin and a liquid center. Very slight pressure should be applied to the character to check for any holes in the skin.

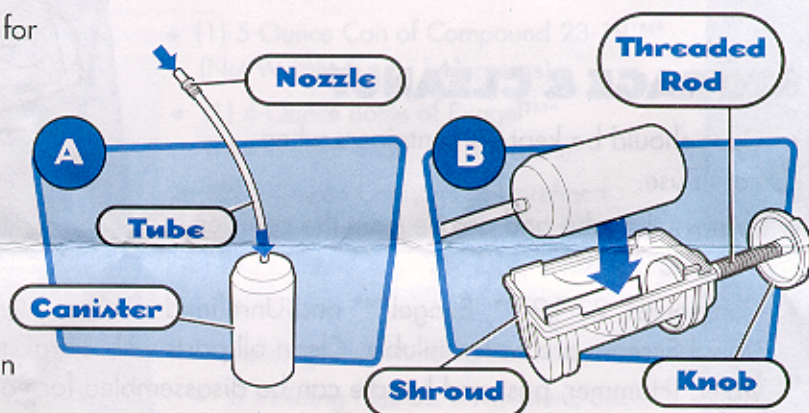


- If any liquid emerges, or if air bubbles are found, the compound cover should be reapplied to the character compound mold for one minute. Be sure the compound cover comes into contact with any holes in the character's skin.

- Remove the character from the impression by peeling the compound away from the figure as shown. Use the cutting tool to peel the excess skin from the character, but be careful not to cut too close to the character's body.

4. FILL THE CHARACTER WITH UNREFINED LIQUID SCREAM

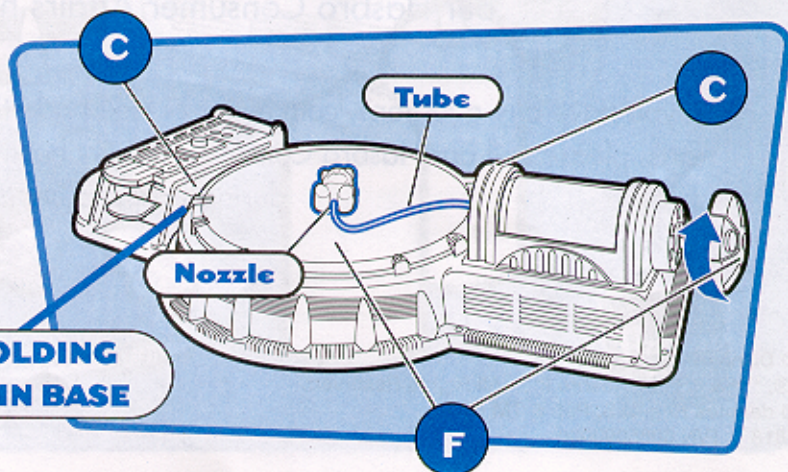
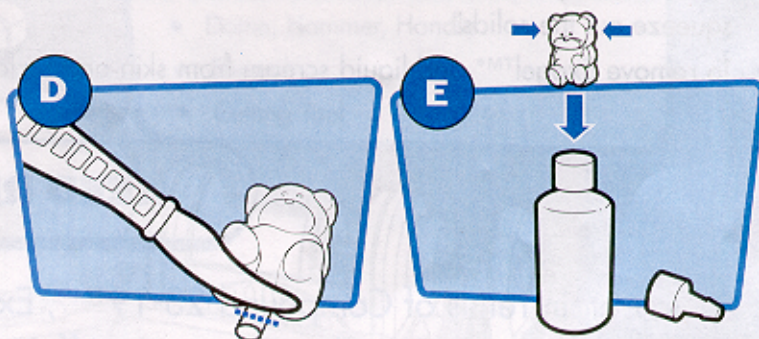
- Attach the tube to a canister. (A)
- Unscrew the threaded rod in the shroud to make room for the canister. Place the canister into the shroud. Screw the threaded rod in until it comes into contact with the canister seal. (B)
- Remove the dome from the main base and attach the canister assembly to the main base. (C)
- Use the cutting tool to slice off about three-quarters of the stem from the character. (D)
- Apply light pressure to the character to completely drain the uncured Exogel™* back into the bottle. (E)



Note: If the stem is cured and the solution won't drain, you can either slice the stem off closer to the body or use the pointed end of the cutting tool to open a hole in the character.

Important: The character must be filled immediately after it has been drained or else the inside surfaces of the skin will begin to seal together.

- Place the character on the main base as shown. Insert the nozzle and tube into the opening in the character's skin as far as possible without making another hole. Screw the threaded rod in until the liquid scream from the canister fills the skin. Fill character to the point where it becomes slightly bloated (do not overfill). (F)



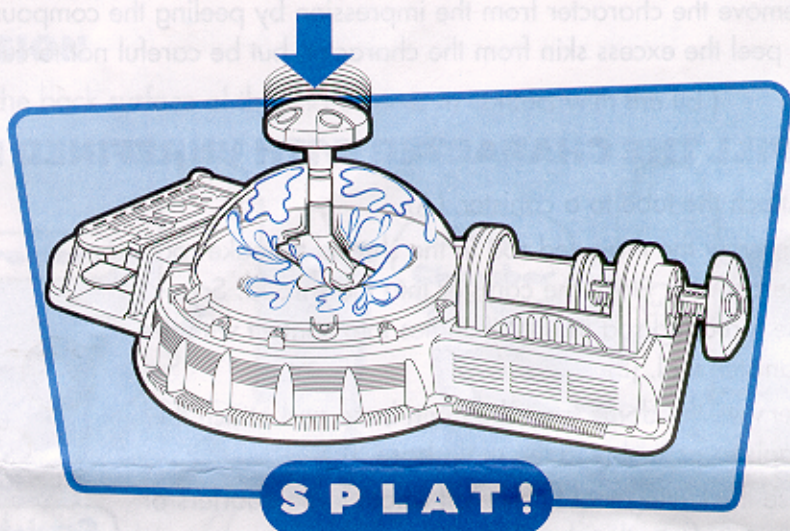
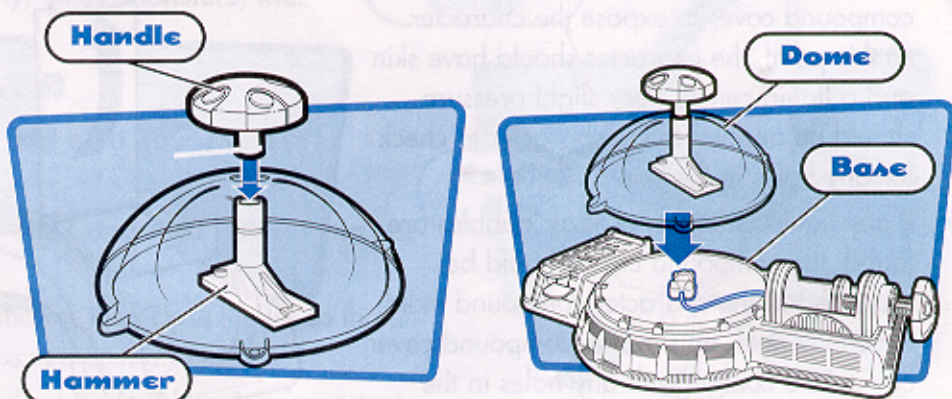
Congratulations! You have created a Monsters, Inc. character!

ATTACH MOLDING UNIT TO MAIN BASE

SPLAT YOUR CREATIONS WITH THE 23-19 SPLATTER DOME™

Your Monsters, Inc. creations are perfectly suitable for splattering! Here's how.

- Place your creation on the main base. Fit the handle through the hole in the dome and onto the hammer.
- Place the dome/hammer assembly onto the base, with the hammer directly over the character. Strike the handle sharply and quickly...**SPLAT!** the character will explode all over the inside of the dome!



STORAGE & CLEANUP

- Caps should be kept on containers when not in use.
- Remove the tube and nozzle from the canister when not in use.
- Compound, 23-19™*, Exogel™* and Unrefined Liquid Scream are water-soluble. Clean all parts with warm, soapy water and paper towel or soft cloth. Rinse with clear water. (Hammer, post and handle can be disassembled for easier cleaning of dome.)
- To remove any Unrefined Liquid Scream that has solidified in the tube and nozzle, submerge the parts in water then squeeze out the solids.
- To remove Exogel™* and liquid scream from skin and surfaces, wash with soap and warm water.

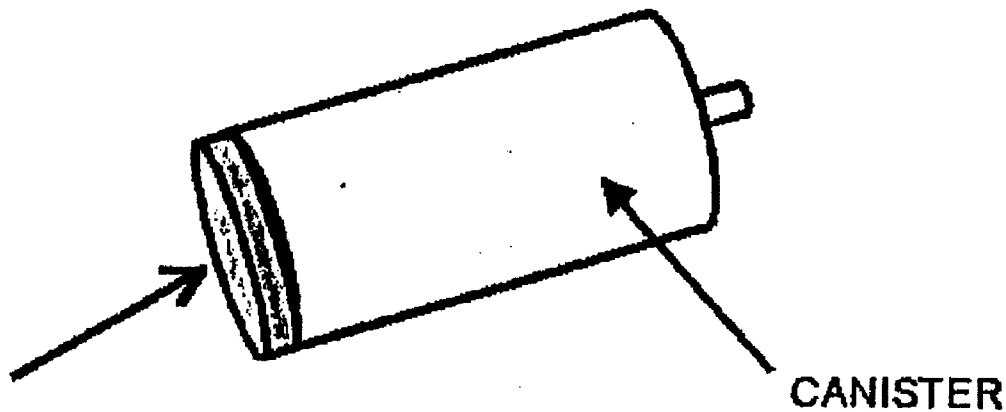
NEED REFILLS?

To obtain refills of Compound 23-19™*, Exogel™* and Unrefined Liquid Scream, call our Hasbro Consumer Affairs hotline at 1-800-327-8264.

If you have any questions, comments, or need additional information concerning this product or its parts, please call our Hasbro Consumer Affairs hotline at 1-800-327-8264, Monday through Friday during business hours (Eastern Time).

#03818 23-19 SPLATTER DOME

SUPPLEMENTARY INFORMATION:



REMOVE PROTECTIVE
COVER BEFORE USE.