

13 DEAD END DRIVE®

ASSEMBLY INSTRUCTIONS

Contents

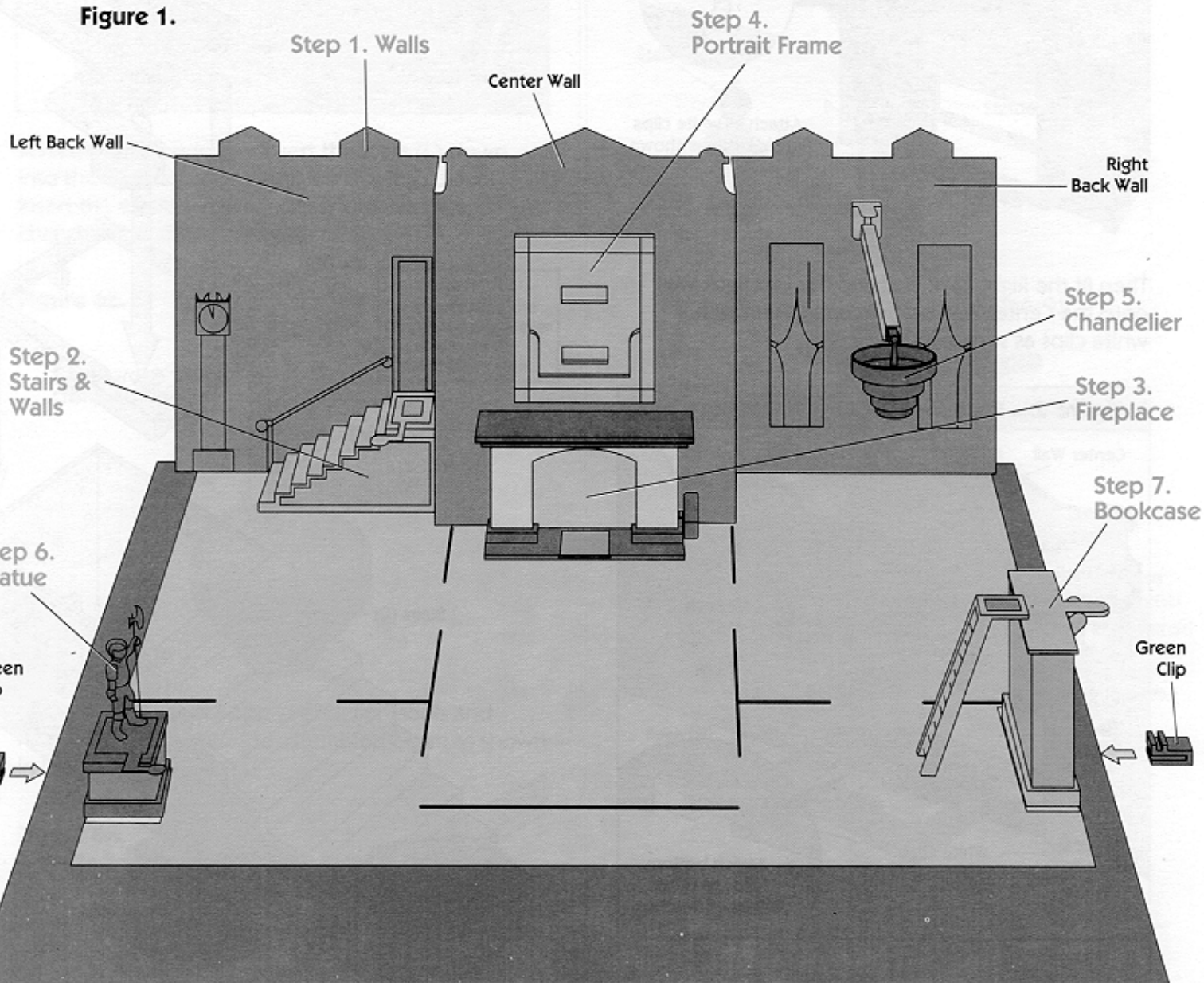
- 3-D mansion gameboard with 5 plastic traps: stairs, fireplace, chandelier, bookcase, and statue
- 1 plastic portrait frame
- 13 pawns with plastic stands
- 54 cards • 2 dice
- 13 plastic clips: 7 white, 2 red, 2 black and 2 green
- small rubber band • 3 cardboard parts sheets
- label sheet • gameplay instruction booklet

Assembly

Here's a look at a completely assembled game. Refer to Figure 1 below as you complete each of the 7 assembly steps. All plastic parts are identified with a letter (A to V) for easy assembly. Remove them from runners and set aside. Remove each cardboard part from its parts sheet as it is needed. Discard waste.

See separate instruction booklet for complete gameplay rules.

Figure 1.



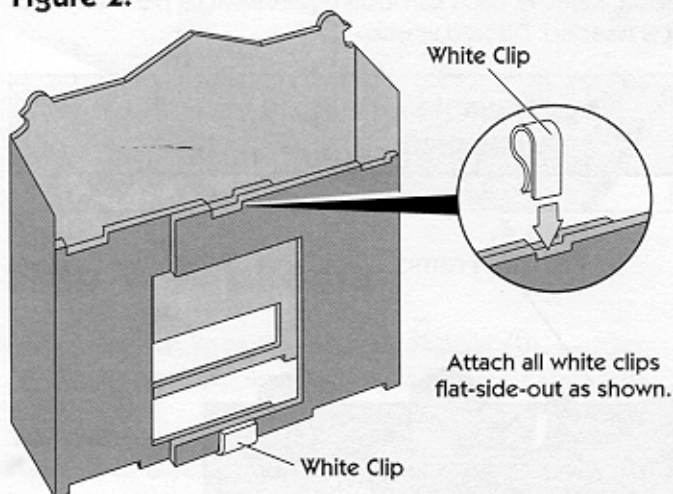


Step 1. Walls

Parts needed: Center Wall, Right Back Wall, Left Back Wall and 6 White Clips.

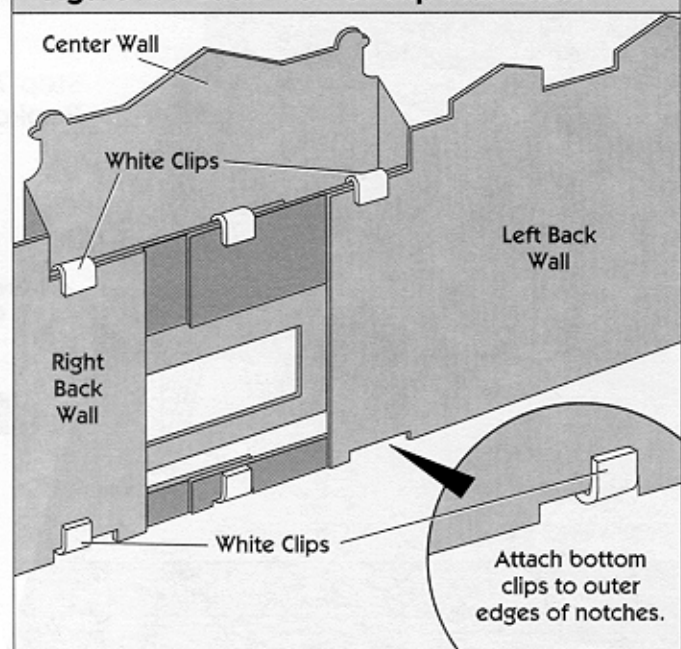
Carefully fold the Center Wall along its scored lines to form a box. Use 2 white clips to clip the box together in back as shown in Figure 2.

Figure 2.



Then fit the Right Back Wall and the Left Back Wall onto the Center Wall box, securing them with 4 white clips as shown in Figure 2A.

Figure 2A. Back View of Clip Placement

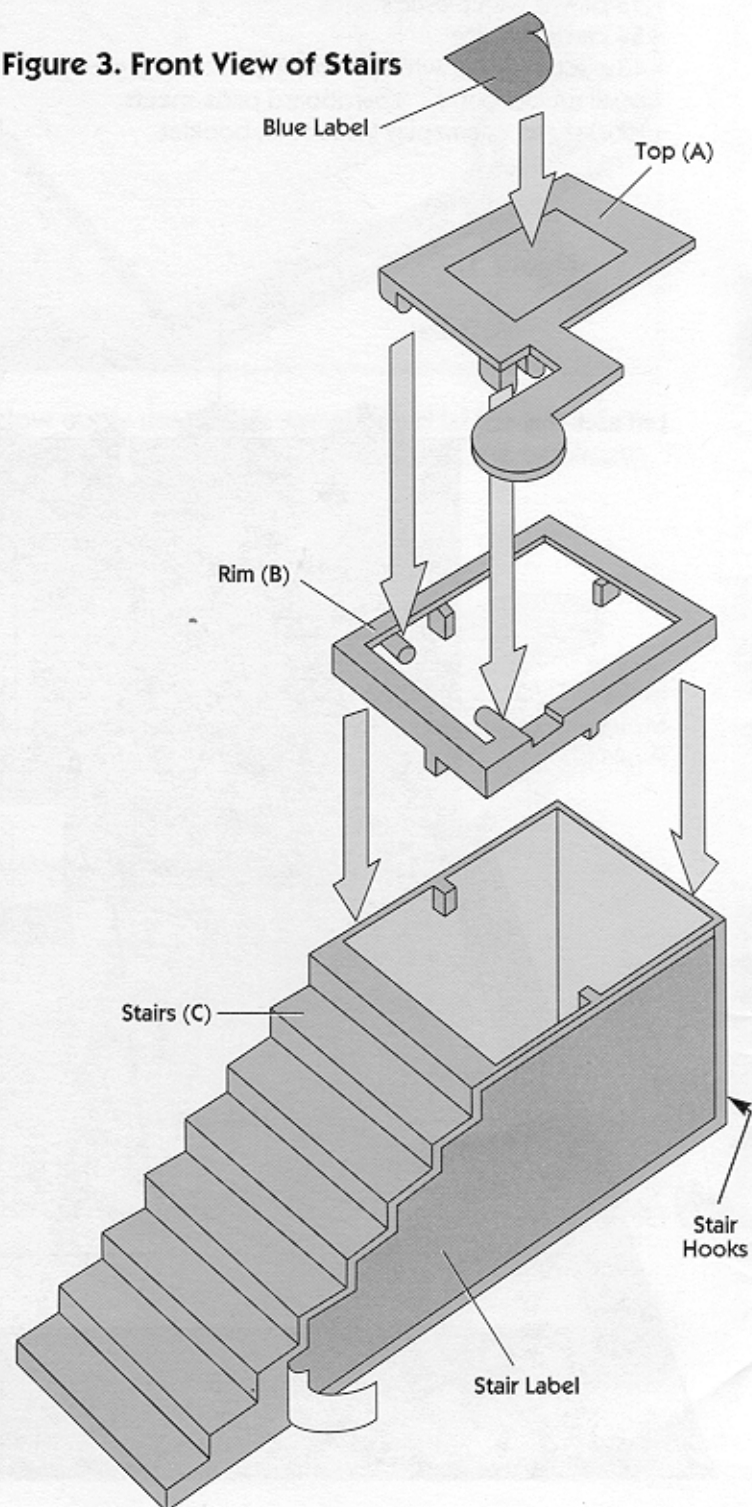


Step 2. Stairs & Walls

Parts needed: Top (A), Rim (B), Stairs (C), Blue Square Label, Stair Label, 1 White Clip, 2 Red Clips and 2 Black Clips.

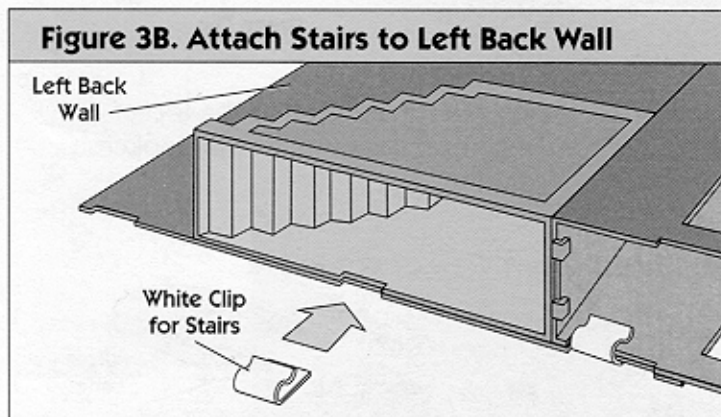
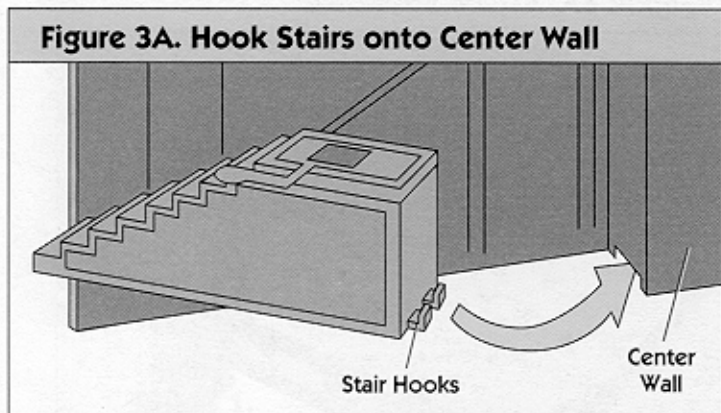
Assemble Stairs: Attach stair label to stairs. Snap-fit top (A) into rim (B) and then attach to top of stairs (C). Apply the blue square label to the top. See Figure 3.

Figure 3. Front View of Stairs

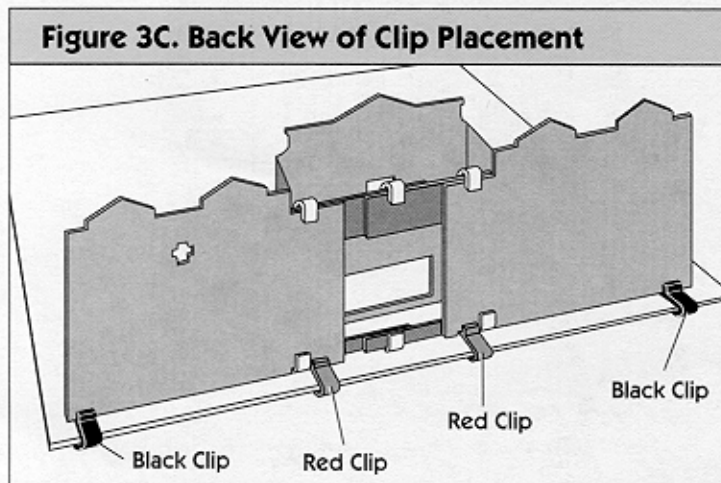




Attach Stairs to Walls: First attach the stair hooks underneath the Center Wall box as shown in Figure 3A. Lay down walls. Then attach a white clip to the Left Back Wall and stairs as shown in Figure 3B.



Attach Wall to Gameboard: Now slide 2 red clips over the 2 center yellow triangles on the gameboard edge. Then slide the 2 black clips over the 2 outer yellow triangles. Line up the wall and insert it into the red clips and black clips as shown in Figure 3C.

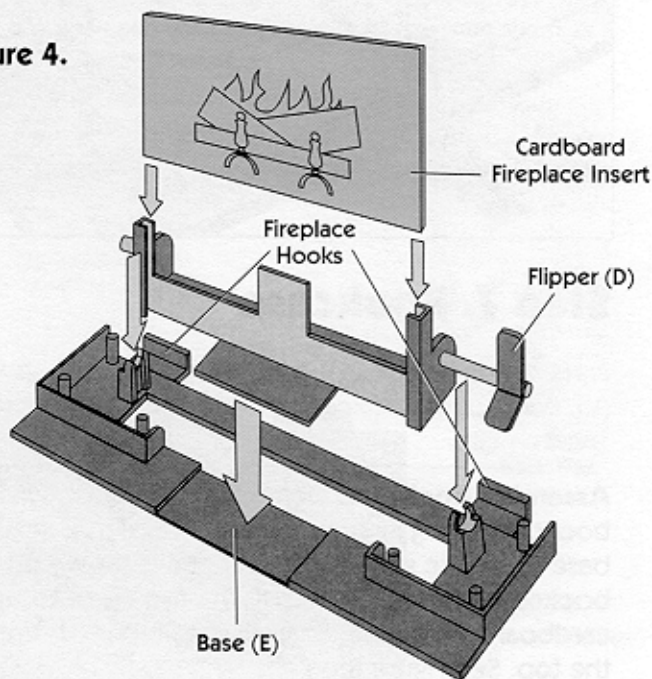


Step 3. Fireplace

Parts needed: Flipper (D), Base (E), Mantel (F), Cardboard Fireplace, Cardboard Fireplace Insert and Red Square Label.

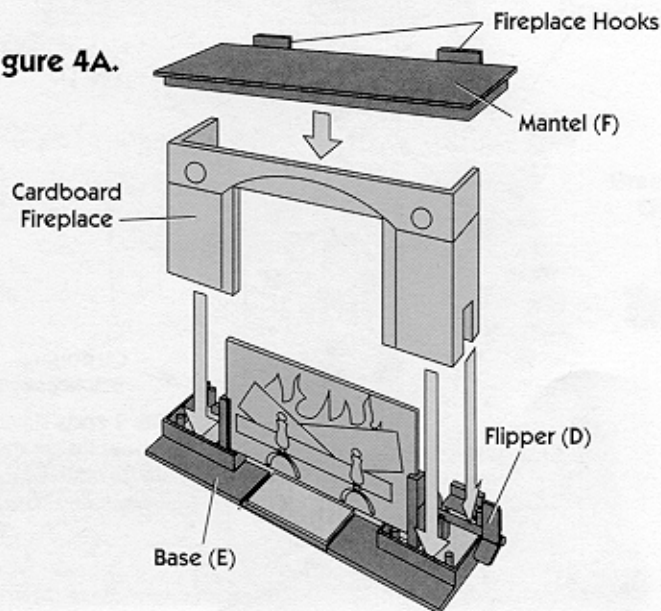
Assemble Fireplace: Slide the cardboard fireplace insert into the flipper's slots (D). Then snap-fit the flipper into the base (E). See Figure 4.

Figure 4.



Carefully fold the cardboard fireplace along its scored lines. Insert it into the base's pegged area, fitting it over the flipper lever. Then fit the mantel (F) on top of the cardboard fireplace. See Figure 4A.

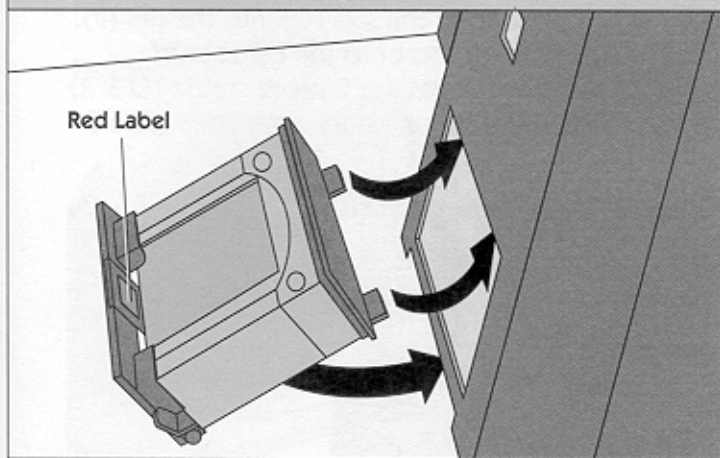
Figure 4A.





Attach Fireplace to Wall: Tilting the Center Wall back slightly, first insert the fireplace's top hooks into the open area and then attach the fireplace's bottom hooks underneath this area as shown. Apply the red square label as shown. See Figure 4B.

Figure 4B. Attach Fireplace to Wall

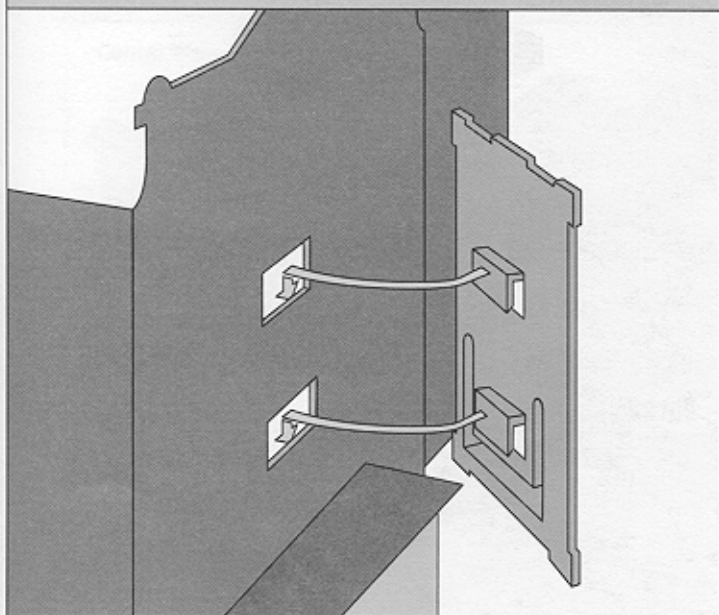


Step 4. Portrait Frame

Part needed: Portrait Frame (G).

Attach Portrait Frame to Wall: Insert the frame's 2 hooks down into the Center Wall as shown in Figure 5.

Figure 5. Attach Portrait Frame



Step 5. Chandelier

Parts needed: Rod (H), Beam (I), Trigger (J), U-shaped Locking Tab (K), Stem (L), Chandelier (M), 1 Small Rubber Band, Cardboard Chandelier Disc and 3 Chandelier Labels.

Assemble Beam: With its ribbed side showing faceup, slide the rod (H) into the beam's channel (I). See Figure 6. See rod correctly inserted in Figure 6A.

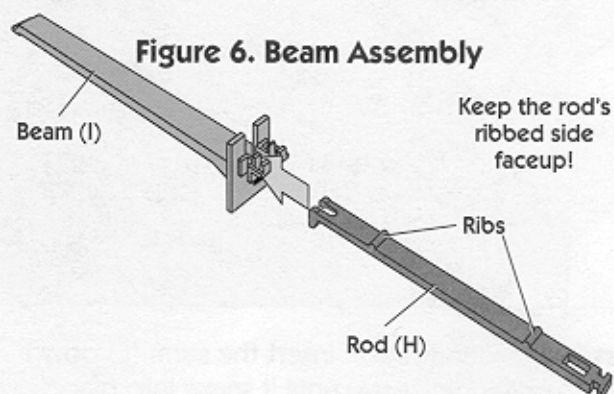
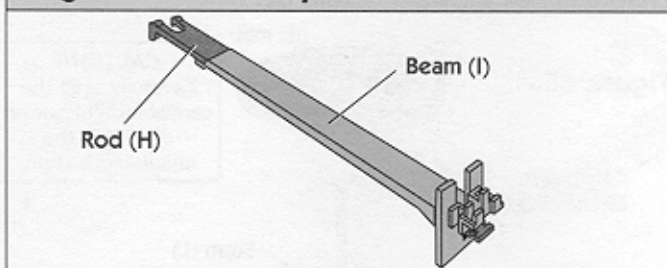


Figure 6A. Correctly Inserted Rod



Then snap-fit the trigger (J) onto the beam, also inserting its V-shaped tab into the rod's slot. See Figure 6B. Hook the small rubber band over the trigger and rod in the notches as shown in Figure 6C.

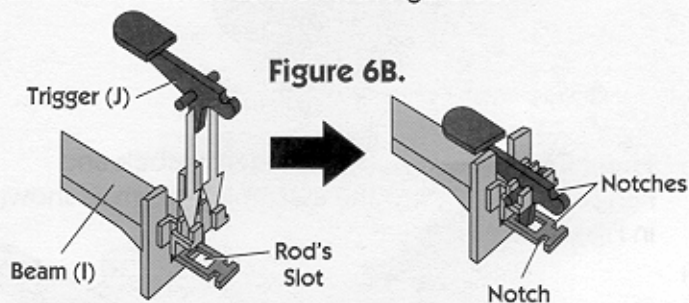
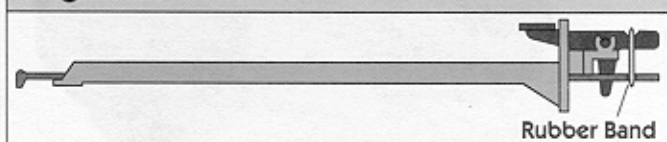
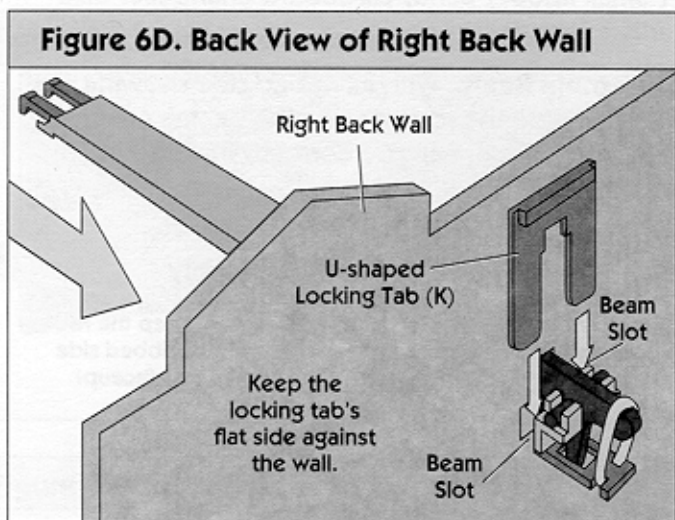


Figure 6C. Side View

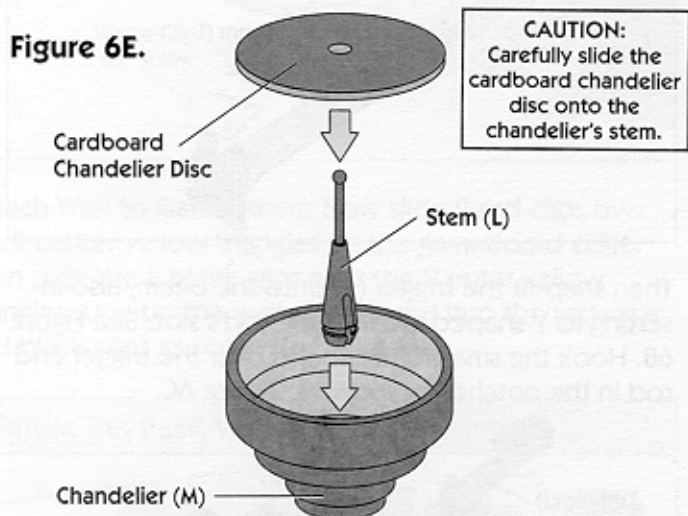




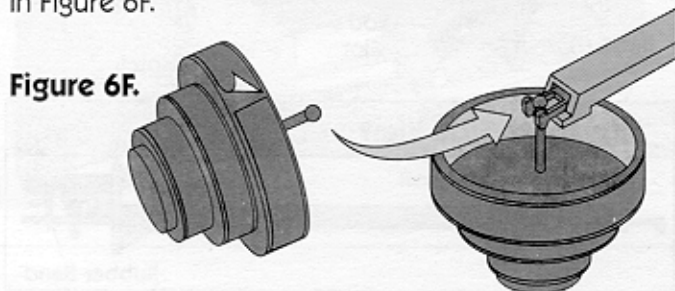
Attach Beam to Wall: From the front, carefully insert the assembled beam into the Right Back Wall's opening. Then slide the U-shaped locking tab (K) down into the beam's slots as shown in Figure 6D.



Assemble Chandelier: Insert the stem (L) down into the chandelier (M) until it snaps into place. Insert the cardboard chandelier disc into the chandelier as shown in Figure 6E.



Hang Chandelier: Apply chandelier labels and hang chandelier onto the assembled beam as shown in Figure 6F.

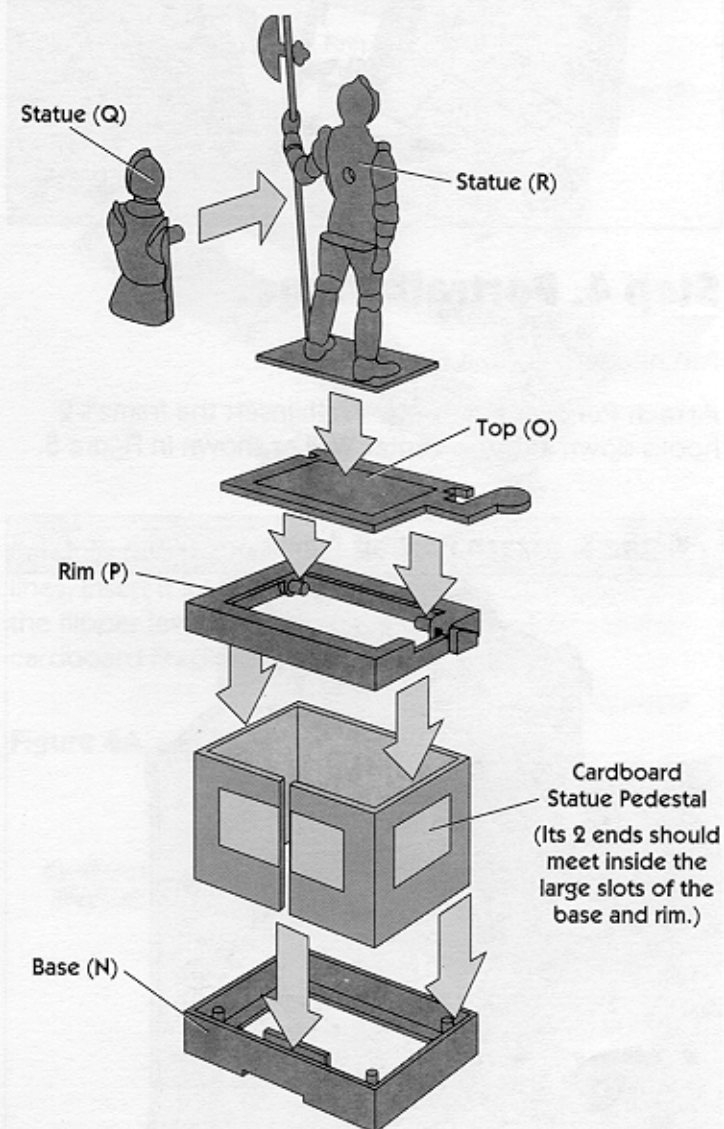


Step 6. Statue

Parts needed: Base (N), Top (O), Rim (P), 2-pc. Statue (Q & R), Cardboard Statue Pedestal and 1 Green Clip.

Assemble Statue: Gently fold the cardboard statue pedestal along its scored lines and insert it into the base (N). Then snap-fit the top (O) into the rim (P). Place the assembled top onto the cardboard pedestal as shown. Press the 2-piece statue (Q & R) together. Place the statue on the top. See Figure 7.

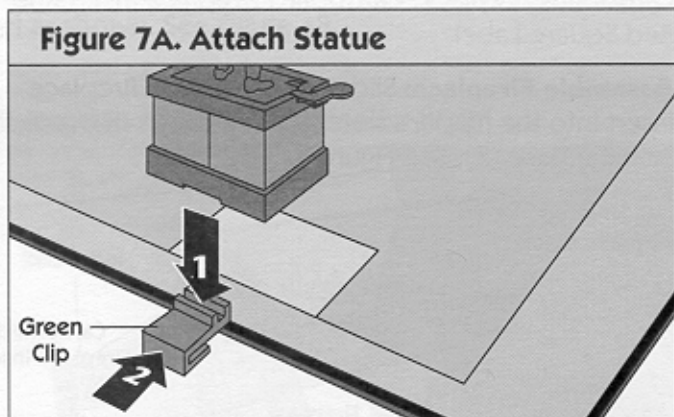
Figure 7. Back View of Statue





Attach Statue to Gameboard: First, insert the assembled statue into the green clip. Second, slide the clip onto the gameboard. See Figure 7A.

Figure 7A. Attach Statue

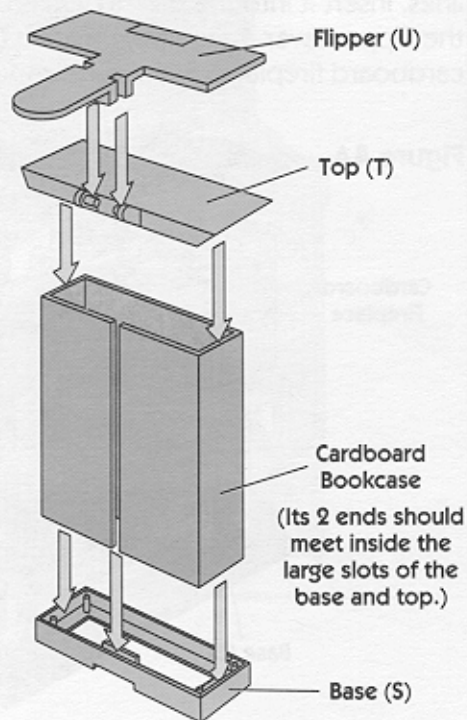


Step 7. Bookcase

Parts needed: Base (S), Top (T), Flipper (U), Ladder (V), Cardboard Bookcase, Purple Square Label and 1 Green Clip.

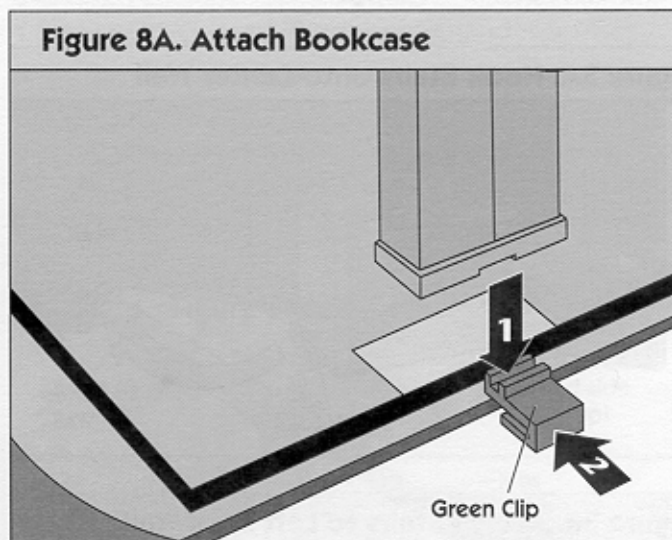
Assemble Bookcase: Gently fold the cardboard bookcase along its scored lines and insert it into the base (S). Make sure the gold statue is shown on the bookcase's top shelf. Then fit the top (T) onto the cardboard bookcase. Snap-fit the flipper (U) onto the top. See Figure 8.

Figure 8. Back View of Bookcase



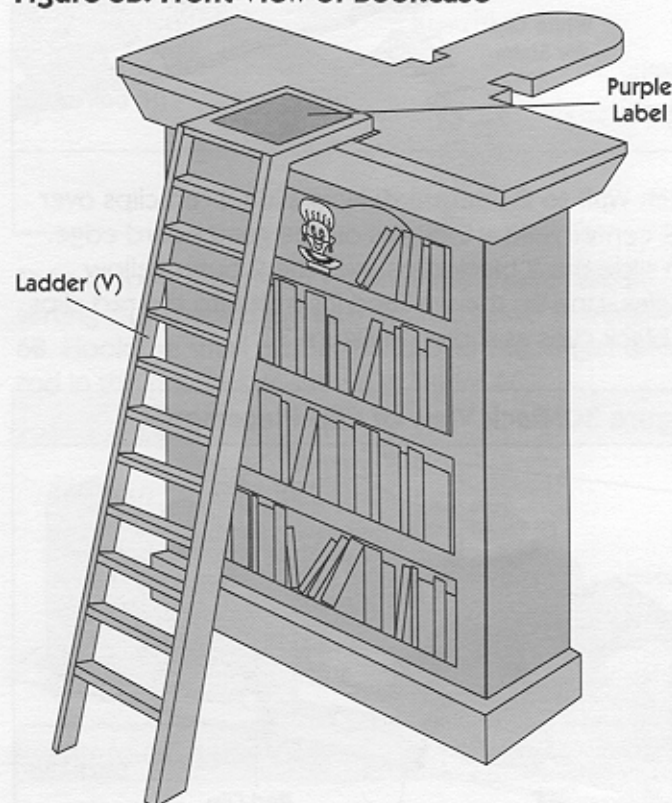
Attach Bookcase to Gameboard: First, insert the assembled bookcase into the green clip. Second, slide the clip onto the gameboard. See Figure 8A.

Figure 8A. Attach Bookcase



Now apply the purple square label to the top of the ladder (V) and rest the ladder against the bookcase as shown in Figure 8B.

Figure 8B. Front View of Bookcase



© 1993 Milton Bradley Company. All Rights Reserved. 4410-X8