



# 1-2-3 High Chair™

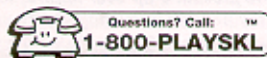


Dear Parent,

Thank you for choosing this high quality, innovative high chair for your child. The 1-2-3 High Chair is actually three chairs in one. For infants too young to sit up independently, it provides a comfortable, 2-position recline feature with plenty of head and back support. As baby grows, it can be used as a standard high chair, complete with an adjustable tray, built-in footrest and special restraint bar and seat belt that keep baby securely in the seat. Then, when baby becomes a toddler, the high chair becomes a toddler chair for sitting at the table, reading books, watching videos and more. The Playskool 1-2-3 High Chair is the perfect place for baby...right from the start!

If you have any questions, comments, or need additional information concerning this product or its parts, please call our Playskool Consumer Affairs hotline at 1-800-PLAYSKL (1-800-752-9755), Monday through Friday, during business hours (eastern time).

All written inquiries should be mailed to: Playskool Consumer Affairs Department  
P.O. Box 200  
Pawtucket, Rhode Island 02862-0200



Maximum Weight: 50 Lbs.  
Tools Required: Phillips Screwdriver and Pliers.

Newborn Recliner: Birth - 6 Mos. (Max. Weight: 20 Lbs.)  
High Chair: 6 Mos. - 4 Yrs. (Max. Weight: 50 Lbs.)  
Toddler Chair: 18 Mos. - 4 Yrs. (Max. Weight: 50 Lbs.)

PLEASE FOLLOW THESE INSTRUCTIONS CAREFULLY AND RETAIN FOR FUTURE REFERENCE.

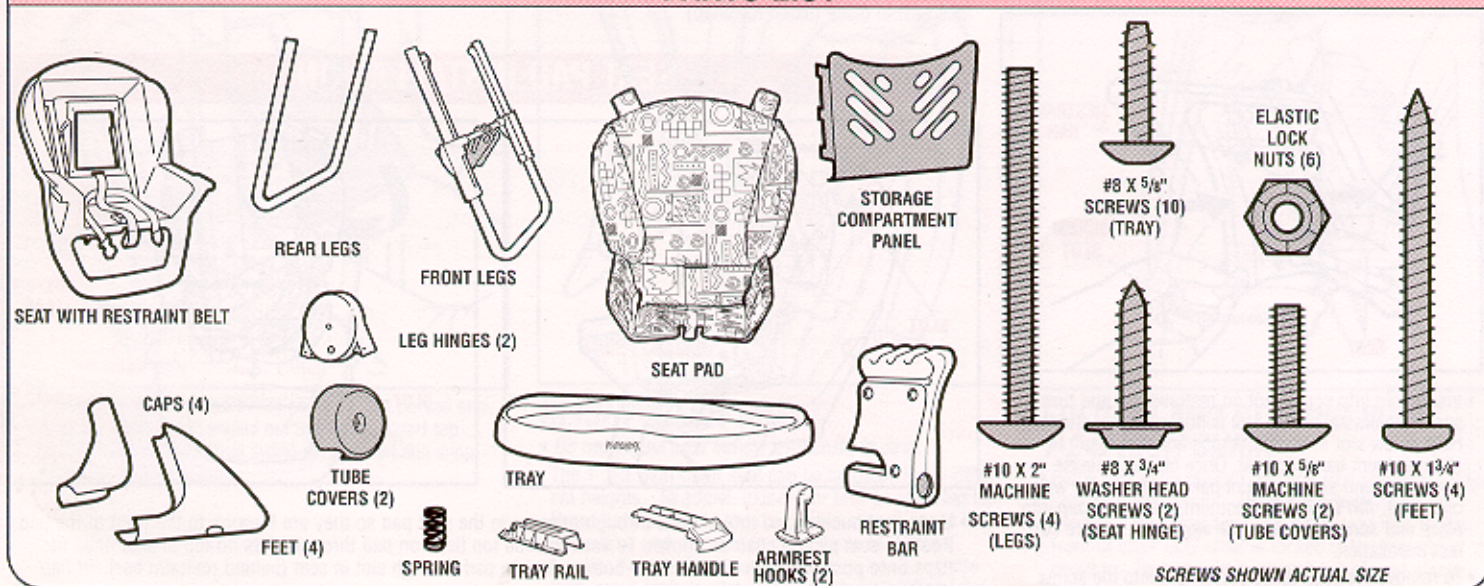
## SAFETY CAUTIONS

### WARNING:

- USE the seat belt AND the restraint bar at all times -- in both the recline and upright positions -- so that your child cannot stand or fall out.
- ALWAYS keep child in view. NEVER leave child unattended in high chair.
- DO NOT press tray against child. The tray is not a restraint and is not designed to hold child in the chair.
- High chair should be used in upright position only by children capable of sitting upright unassisted.
- REMOVE child from high chair before adjusting height or moving into or out of recline position.
- DO NOT use high chair with children over 50 pounds.
- DO NOT allow child to climb into high chair unassisted. DO NOT allow children to play with or hang onto high chair because of tip-over potential.

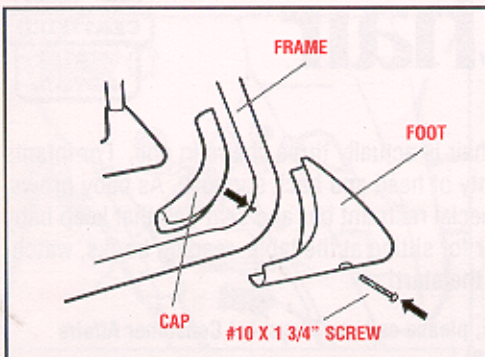
BUCKLE UP TO PREVENT INJURIES!

## PARTS LIST



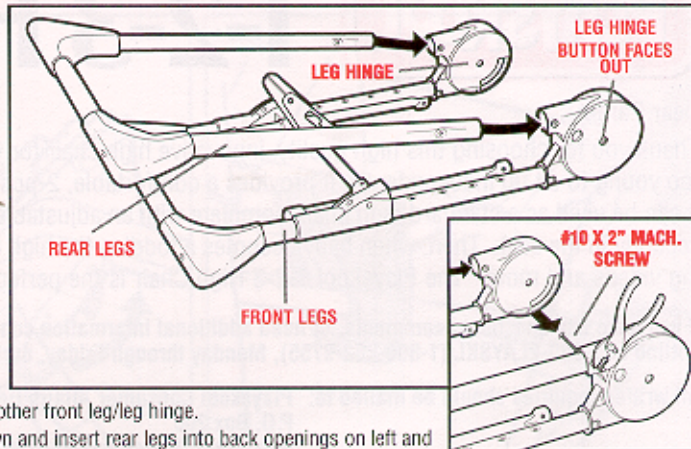
To order parts for this product, please consult the REPLACEMENT PARTS ORDER FORM.

# HOW TO ASSEMBLE THE PLAYSKOOL 1-2-3 HIGH CHAIR™



To prevent a tip-over hazard, feet (and caps) must be installed before using chair.

- Secure foot and cap to bottom corners of leg with #10 x 1 3/4" screw. Install exactly as shown, with flat side of foot facing down. Repeat for remaining 3 leg corners.



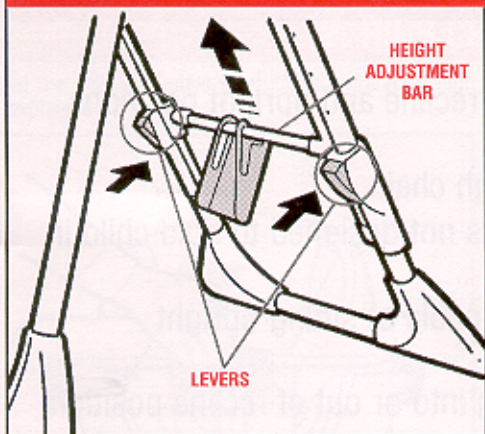
- Insert front legs (those WITH height adjustment bar) into front opening on left and right leg hinges. (Front openings on leg hinges are marked "F.") Align holes in front leg with hole in front opening on leg hinge. Insert a #10 X 2" machine screw through the holes, with screw head facing in as shown. Hold lock nut onto end of screw with pliers. Tighten screw into lock nut until screw is flush with, but not protruding through, the outside of the nut. Repeat for other front leg/leg hinge.

- Lay front legs on floor as shown and insert rear legs into back openings on left and right leg hinges. (Back openings on leg hinges are marked "B.")

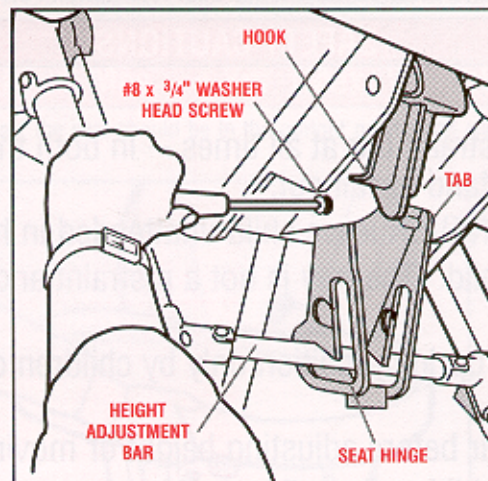
- Align holes in rear legs and leg hinges, insert #10 X 2" machine screws and tighten them into lock nuts as you did for front legs.

NOTE: Left and right leg hinges must be installed exactly as shown in illustration. Leg hinge buttons must face out.

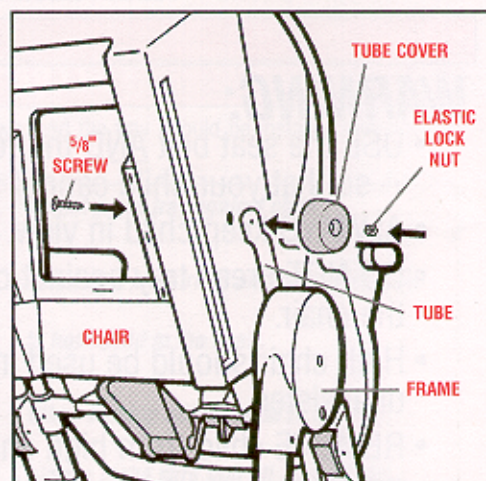
## SEAT INSTALLATION



- Place frame assembly upright. Press both levers on height adjustment bar at the same time and move bar up to highest set of holes on frame legs. Release levers and make sure bar locks into both top holes on frame legs.

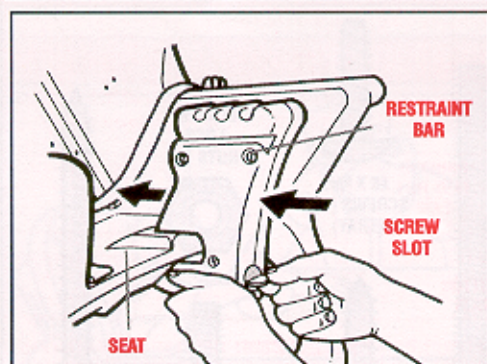


- Place seat on top of height adjustment bar.
- Lift front of seat, then grasp seat hinge and push it up so that the tabs on its sides snap into holes on bottom of seat.
- Secure seat hinge to seat with two #8 x 3/4" washer head screws as shown. Lift front of seat and push seat hinge back to allow seat to swing down. Push front of seat in to snap hook onto height adjustment bar and lock seat in place (listen for snap).



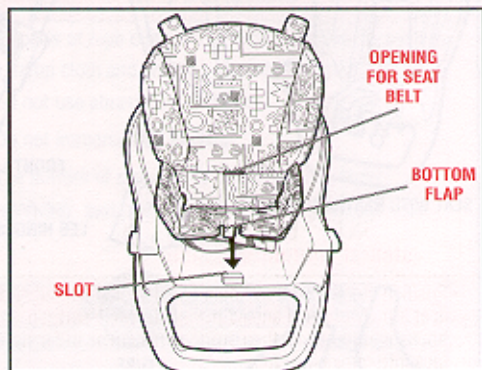
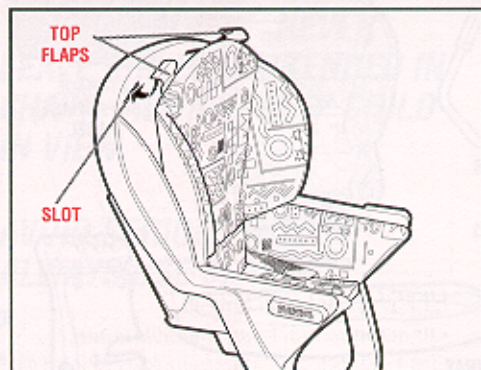
- Insert elastic lock nuts into tube covers. Align holes in side of seat with hole in tube. Holding elastic lock nut inside tube cover, insert a #10 x 5/8" machine screw into other end of tube cover (through chair and tube, as shown). Tighten screw into lock nut. Repeat for other side.

## RESTRAINT BAR INSTALLATION



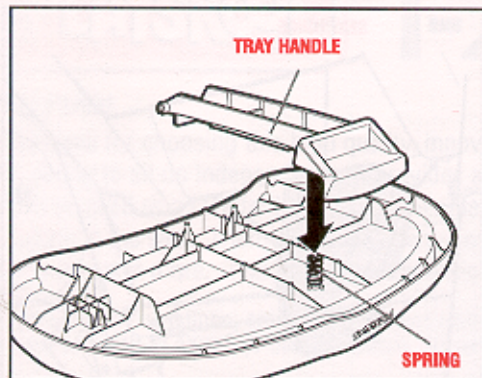
- Insert coin into screw slot on restraint bar and turn screw clockwise so that slot is horizontal, as shown. Hold screw slot in horizontal position and begin to slide restraint bar onto seat. Once started, release screw slot and slide restraint bar the rest of the way onto seat. **IMPORTANT:** Restraint bar *must* snap into place and **screw slot must be vertical** to ensure correct installation.
- To remove restraint bar, insert a coin into the screw slot and rotate the screw 1/4 turn clockwise so that slot is horizontal. Slide out restraint bar.

## SEAT PAD INSTALLATION

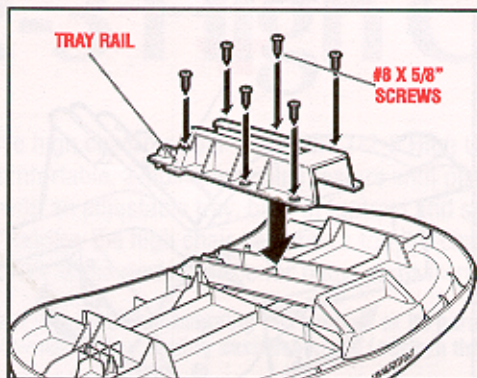


- Undo seat buckles and thread belts through opening in the seat pad so they are through to the front of the pad. Position seat pad on chair as shown. To secure, slide top flaps on pad through slots on top of seat, then fit flaps onto posts on back of seat. Slide bottom flap on pad through slot in seat (behind restraint bar). Fit flap onto post on underside of seat. **BE SURE TO THREAD BELTS THROUGH OPENING IN SEAT PAD BEFORE INSTALLING SEAT PAD.**

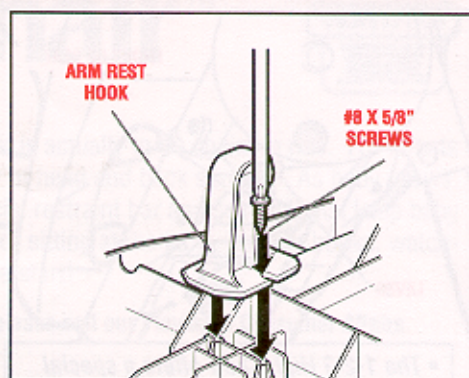
## TRAY ASSEMBLY



- Place spring over post on underside of tray as shown.
- Place tray handle on underside of tray. Insert post on tray handle into top of spring as shown.



- Place tray rail over tray handle so that screw holes in rail and tray are aligned. Secure rail/handle assembly to tray with six #8 x 5/8" screws.



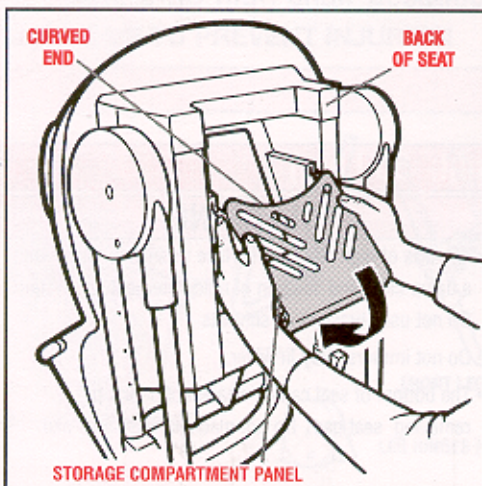
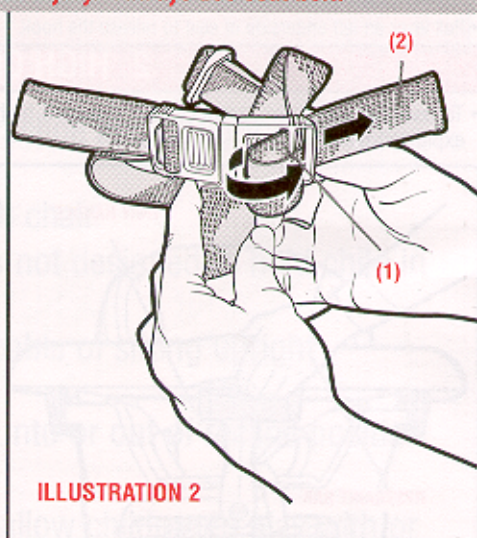
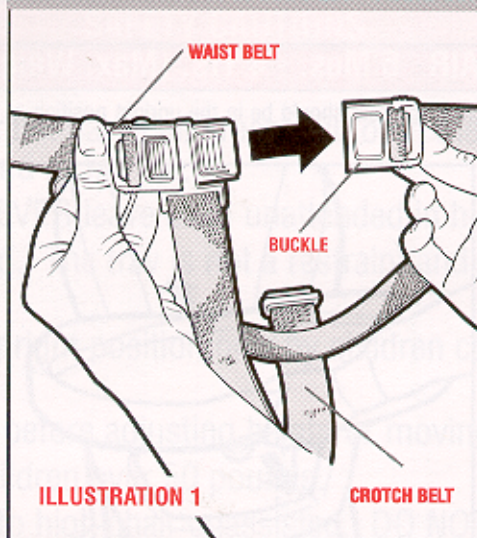
- Secure armrest hook to underside of tray (end of hook facing in toward handle) with two #8 x 5/8" screws. Repeat for other armrest hook.

## HOW TO USE THE PLAYSKOOL 1-2-3 HIGH CHAIR

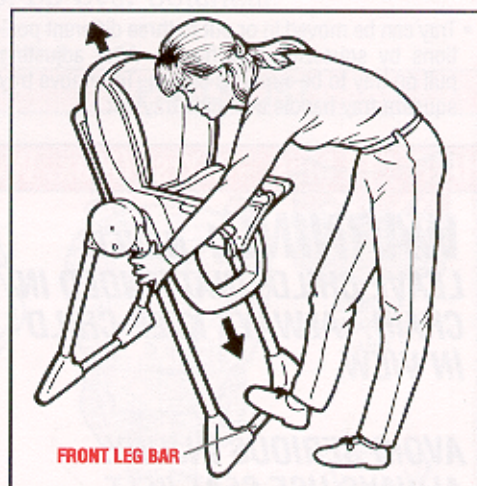
### SEAT BELT SYSTEM

- Place your child in high chair. Position crotch belt between baby's legs. Snap together both buckles to secure waist belt (ILLUSTRATION 1).
  - Adjust fit of waist belt so that it is comfortably snug around baby's waist (ILLUSTRATION 2).
- To tighten fit:** Push inner belt length (1) through buckle to create a loop of slack belt length. Grasp end of outer belt length (2) and firmly pull it to slide the loop of slack belt length through the buckle and tighten fit.
- To loosen fit:** Push inner belt length (1) through buckle to create a loop of slack belt length. Grasp outer belt length (2) where it loops back out of buckle, and work it through buckle. Pull inner belt length to loosen fit.
- NOTE:** When adjusting fit, be sure to adjust belt on both buckles as needed to ensure that the crotch belt remains centered between baby's legs.
- To unfasten seat belt, press buttons and remove buckles.

**WARNING:** Avoid serious injury. Always use seat belt.

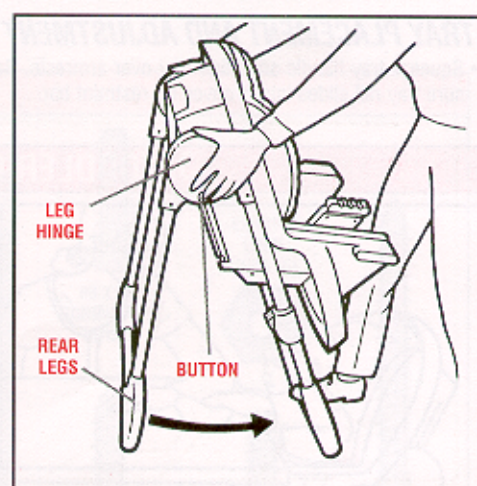


- Position storage compartment panel so that curved end is at top. With panel angled out as shown, insert top hooks into top slots, then swing panel down and snap tabs into remaining slots.



### HEIGHT ADJUSTMENT

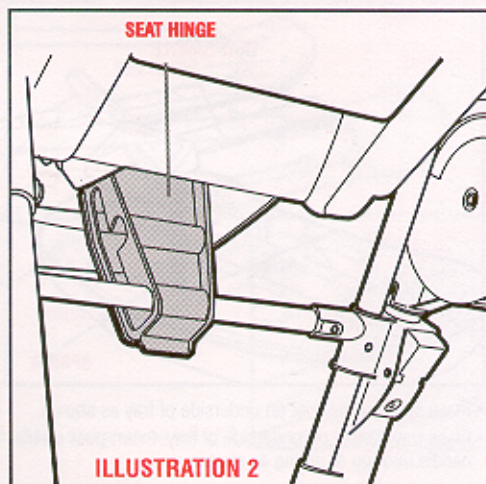
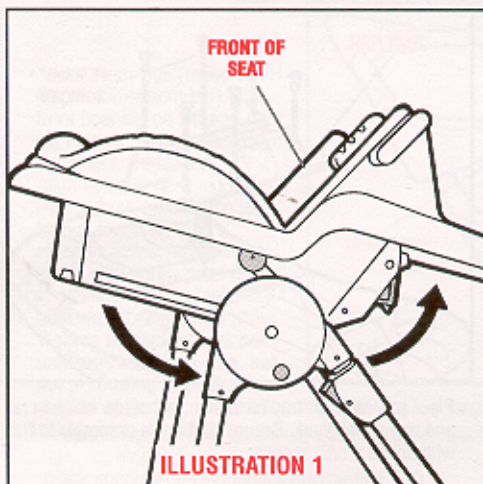
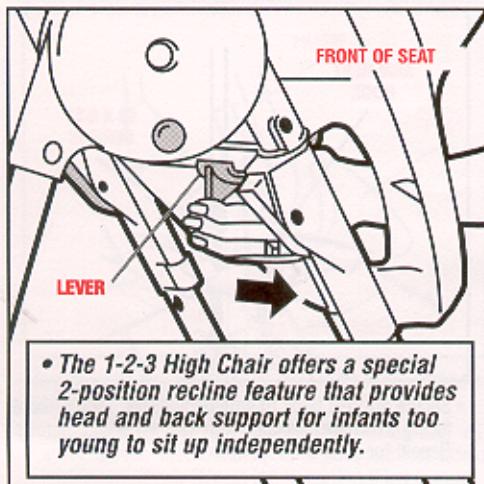
- Do not adjust seat height with child in seat.
- The 1-2-3 High Chair seat can be adjusted to six different heights. To adjust, place your foot on front leg bar. Press both levers on the height adjustment bar at the same time and move seat up or down to desired height. Release levers and make sure bar locks into both holes on frame legs. **PULL UP AND DOWN ON SEAT TO MAKE SURE BAR IS ENGAGED.**



### FOLDING AND STORING YOUR 1-2-3 HIGH CHAIR

- Place seat in an upright position (not reclined). Adjust seat to lowest height. Press both buttons on leg hinges at the same time and move rear legs to the front of chair until chair is locked in the folded position. To carry chair, grasp back of seat above storage compartment, with front of chair facing toward you.

## 1. NEWBORN RECLINER Birth - 6 Mos. (Max. Weight: 20 Lbs.)

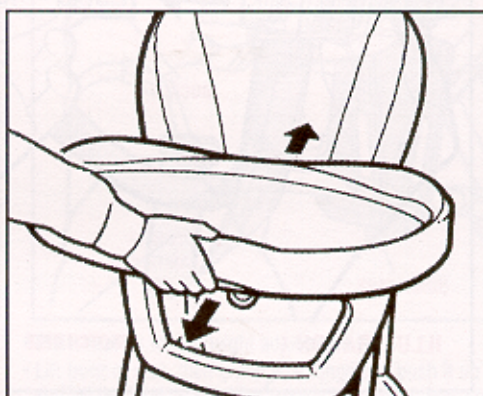
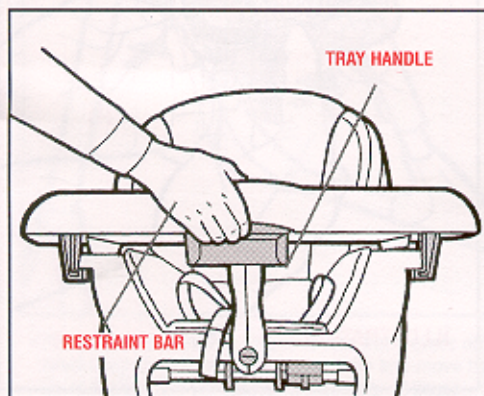


- Do not adjust seat to recline position with child in seat.
- To place the seat in one of the recline positions, the seat must first be adjusted to its highest position. (see HEIGHT ADJUSTMENT).
- Pull lever on left underside of seat to release the hook.

- Lift front of seat up and tilt it back so that seat hinge engages in the semi-recline or full-recline position (ILLUSTRATION 1).
- To return seat to upright position, lift up front of seat, then push seat hinge in (ILLUSTRATION 2). Push front of seat in to snap hook onto height adjustment bar (listen for snap).

## 2. HIGH CHAIR 6 Mos. - 4 Yrs. (Max. Weight: 50 Lbs.)

- To use this innovative product as a standard high chair, the seat should be in the upright position as shown, and the tray should be installed and used as explained next.



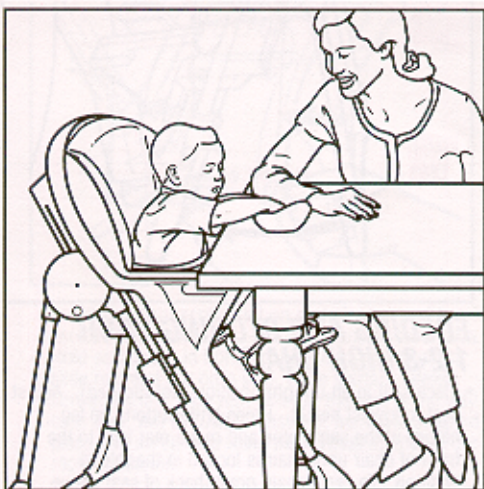
- Do not press tray against child.
- Tray is not a restraint and is not designed to hold child in the chair.
- When making adjustments to the tray, always make sure that all parts of the child's body are clear of moving parts.

### TRAY PLACEMENT AND ADJUSTMENT

- Squeeze tray handle and slide tray over armrests. Be sure tray rail slides into grooves on restraint bar.

- Tray can be moved in or out to three different positions by squeezing tray handle. After adjusting, pull on tray to be sure it is secure. To remove tray, squeeze tray handle and slide tray out.

## 3. TODDLER CHAIR 18 Mos. - 4 Yrs. (Max. Weight: 50 Lbs.)



**WARNING: NEVER LEAVE CHILD UNATTENDED IN CHAIR. ALWAYS KEEP CHILD IN VIEW.**

**AVOID SERIOUS INJURY. ALWAYS USE SEAT BELT.**

- To use this product as a toddler chair, the seat should be in the upright position with tray removed. Adjust chair to its lowest position.

### CLEANING

- All parts of high chair are surface washable. Clean with a damp cloth and solution of mild detergent and water. Do not use abrasives or solvents.
- Do not immerse tray in water.
- The bottom of seat can be cleaned of debris by removing seat pad. Do not machine wash seat pad.

### MAINTENANCE NOTES

- If exposed to inclement weather, dry off high chair with a soft cloth to assure longer life.
- PERIODICALLY check high chair for loose hardware or torn material. Replace or repair as needed.