

PLAYSKOOL[®]

1·2·3 Bike™

Instructions



Questions? Call:
1-800-PLAYSKL

Ages 2-5
Boys

WARNING:

ADULT SUPERVISION REQUIRED. THIS RIDE-ON TOY IS NOT TO BE USED NEAR SWIMMING POOLS, ON OR NEAR HILLS, ROADWAYS, OR STAIRWAYS. SHOES MUST BE WORN AT ALL TIMES WHEN RIDING THIS TOY. A BICYCLE HELMET IS RECOMMENDED. DESIGNED FOR ONLY ONE RIDER AT A TIME.

MAXIMUM WEIGHT: 60 LBS. (27 KGS.)
MINIMUM HEIGHT: 35" TALL

ADULT ASSEMBLY REQUIRED.

Phillips screwdriver needed for assembly (not included).

CAUTION: Components to be assembled have sharp edges (or points). Keep the sharp edged components out of the reach of children until assembly is complete.

CAUTION: This product contains small parts which are necessary for assembly. Prior to and during assembly of this product, keep small parts out of children's reach. Small parts pose a choke hazard to children under 3 years.

Adults Please Note:

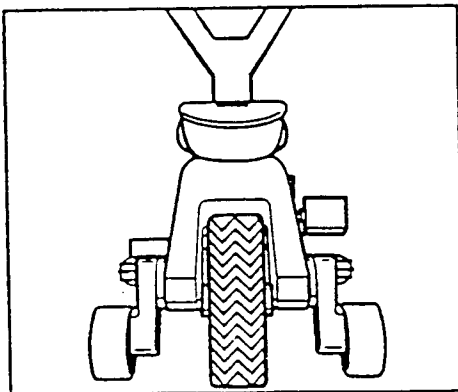
Periodically check all hardware to be sure it is secure. Please read instructions prior to assembly, and save this guide and all literature for future reference. Study each step carefully to familiarize yourself with procedure and parts. Refer to back page for illustrated parts list. For easier assembly, trim excess plastic from all parts before starting.

Dear Parents,

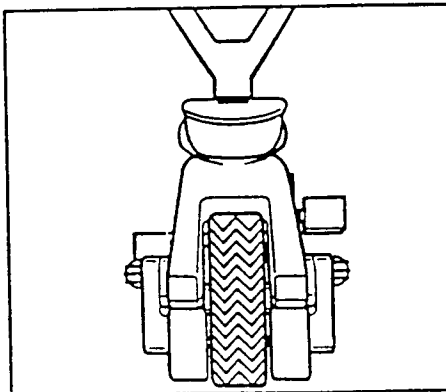
Playskool's 1-2-3 Bike is a fun, special way to introduce children to bikes and help them learn to ride. It lets younger children ride two-wheel bikes because of its smaller size, wide wheels and unique training system. In general, children learn to pedal at 2 to 3 years of age, but each child is different and may be ready to try new things at different ages. With your encouragement, your child can learn to ride a bike when he or she is ready. A feeling of confidence and security is important when children try something new, so make sure your child's feet touch the ground while sitting on the bike. We have found that children 35" or taller are a comfortable height to sit and pedal the 1-2-3 Bike. Make sure your child wears soft-soled shoes to keep traction on the pedals when learning to pedal.

Our unique training system is designed to help children learn to ride.

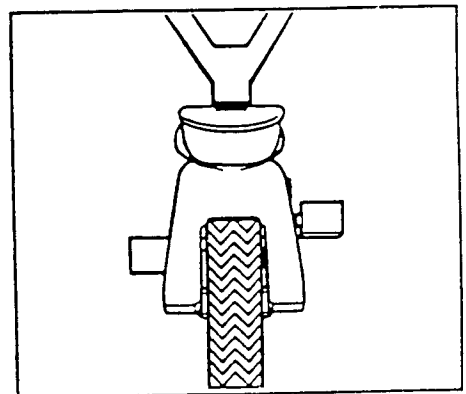
Here's a chart to help you:



Stage 1:
Learning to pedal
Pushes bike with
feet or pedals.



Stage 2:
Gaining confidence
Pedals and makes turns at the same
time. Learning to balance.

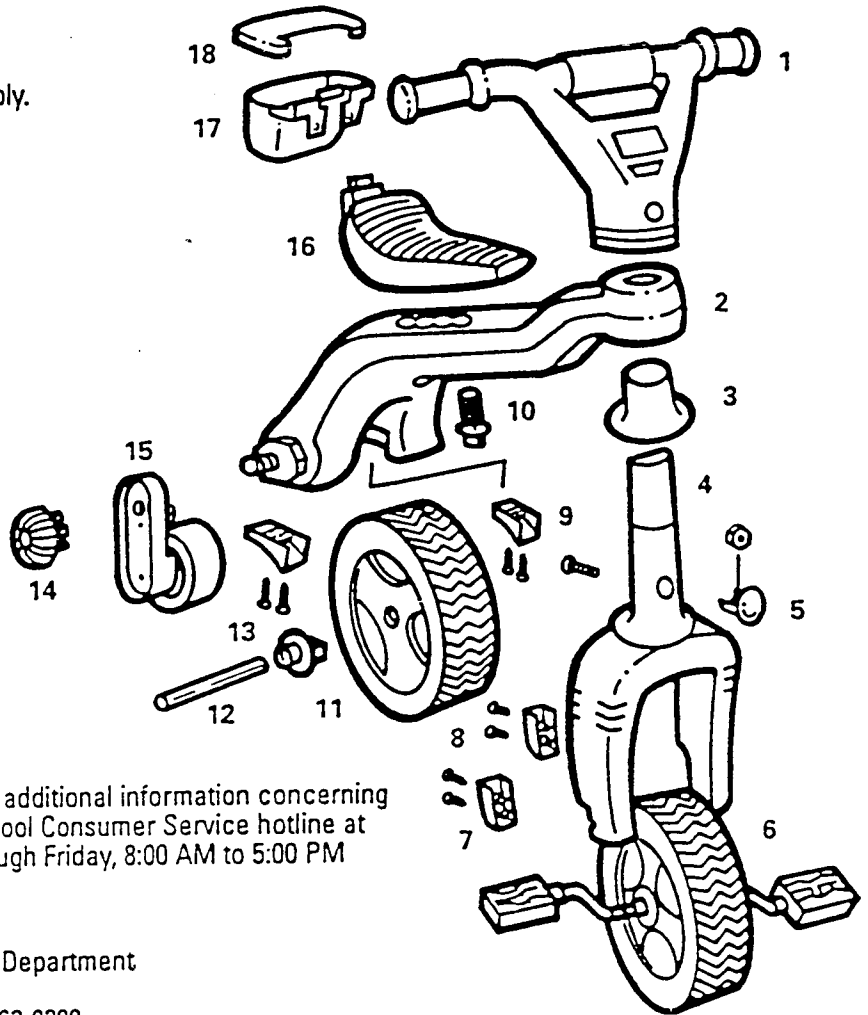


Stage 3:
Riding a two-wheeler
Has learned to balance and
mastered second stage.

Parts Diagram

Please check all parts carefully before assembly.

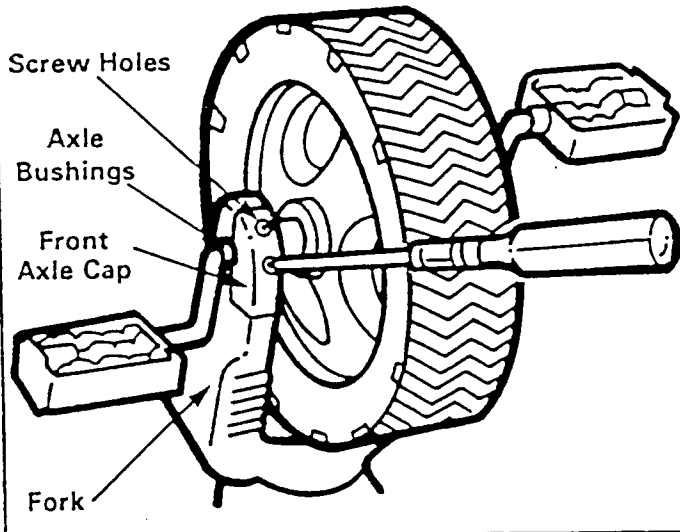
1. Handlebar
2. Frame
3. Journal bearing
4. Fork
5. Plug cap
6. Front wheel assembly with pedals
7. Front axle caps (2)
8. #8-1" screws (8), 1/4" nut, 1/4 x 2 1/8" bolt
9. Rear axle caps (2)
10. Seat screw
11. Rear wheel assembly
12. Rear wheel axle
13. Wheel spacers (2)
14. Locknuts (2)
15. Training wheel assembly (2)
16. Seat
17. Saddle bag
18. Saddle bag lid



If you have any questions, comments, or need additional information concerning this product or its parts, please call our Playskool Consumer Service hotline at 1-800-PLAYSKL (1-800-752-9755), Monday through Friday, 8:00 AM to 5:00 PM Eastern Standard Time.

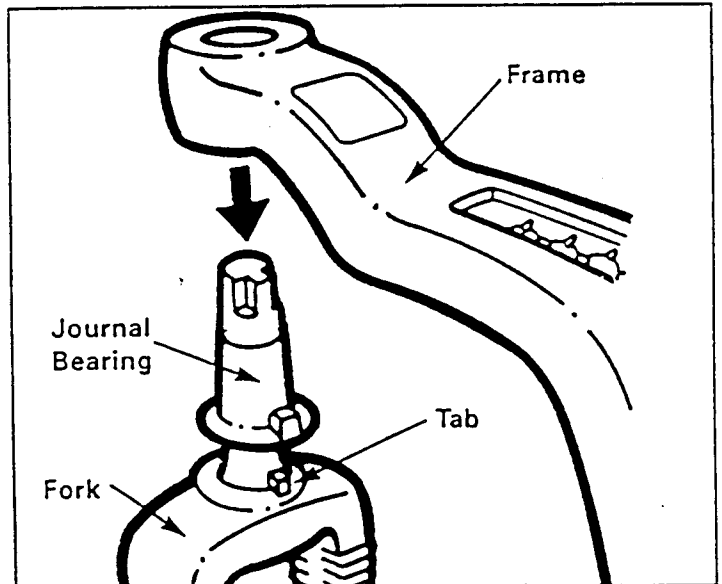
All written inquiries should be mailed to:

Playskool Consumer Service Department
P.O. Box 200
Pawtucket, Rhode Island 02862-0200



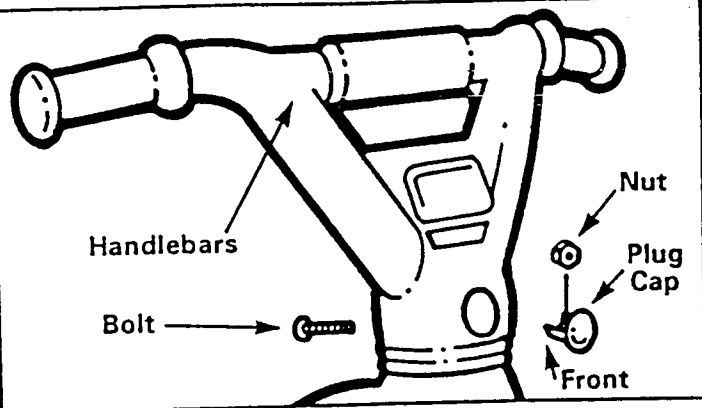
Step 1. Front Wheel & Fork Assembly

Place front wheel/pedal assembly into slots in fork (the attached axle bushings should be outside axle caps and fork legs, as shown). Align axle cap screw holes with pilot holes in fork. Place front axle cap over holes and fit #8-1" screws into top and bottom holes in axle cap and tighten, using Phillips screwdriver. **DO NOT OVER-TIGHTEN SCREWS.** Repeat step for other side.

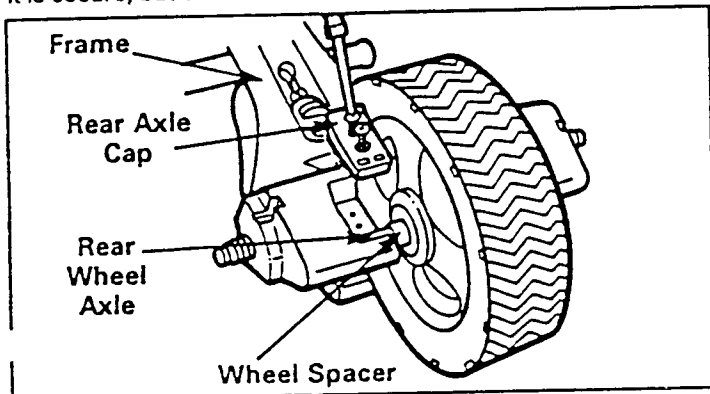


Step 2. Fork & Frame Assembly

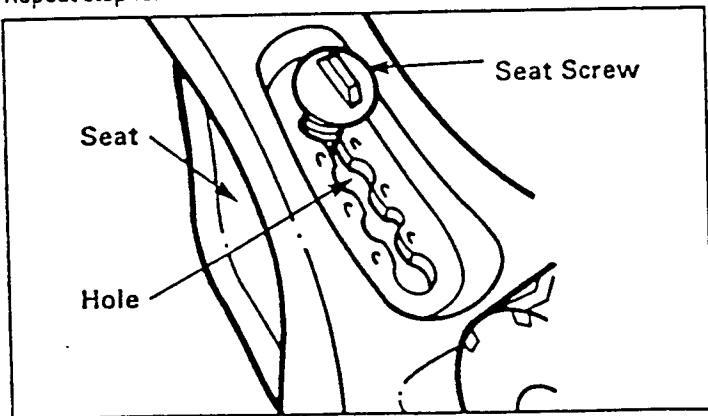
Fit journal bearing over steering column on fork as shown. Then slip the frame over bearing/column assembly, lining up the tab on bearing with fitting in frame. Initially, the fit will be tight, but as your child rides the 1-2-3 Bike, the workings will become "broken in" and fit comfortably.



Step 3. Handlebar Assembly: Slide handlebars over steering column on fork. Secure the handlebars with the plug cap, nut and bolt. Slip the nut inside the front half-circle fitting on plug cap (look at sculpting inside fitting to see how nut fits, point down; do not force nut into fitting). Then slip the plug cap into fitting in front of handlebars. Slide the (2 1/8") bolt into the hole in the back of handlebars and use the Phillips screwdriver to tighten bolt until it is secure, but DO NOT OVERTIGHTEN.



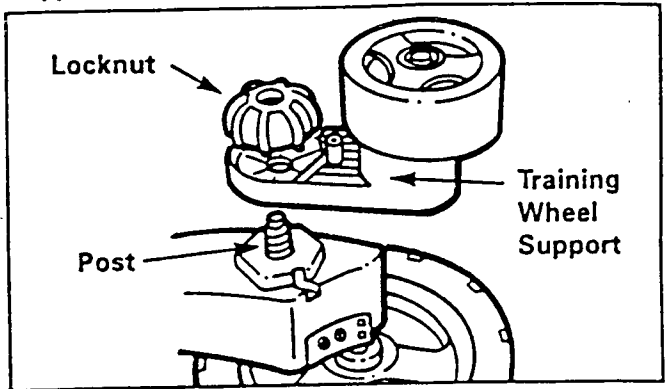
Step 4. Rear Wheel Assembly: Slide rear wheel axle into the rear wheel, leaving equal space on both sides. Place a wheel spacer on each side of rear wheel axle. Fit rear wheel axle into slots in rear legs as shown. Align axle cap screw holes with pilot holes in legs, and fit #8-1" screws into top and bottom holes in axle cap and tighten, using Phillips screwdriver. DO NOT OVER-TIGHTEN SCREWS. Repeat step for other side.



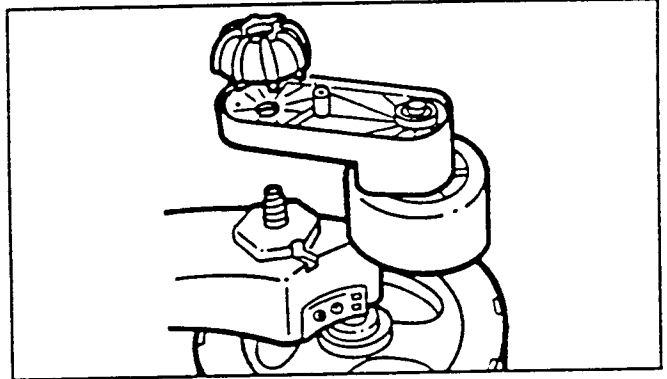
Step 5. Seat Assembly: The seat can be placed in any of 4 different positions depending on your child's size. Fit the seat into one of the 4 holes on bike frame, turn assembly upside down, and twist the seat screw securely into place from underneath, locking seat screw into recessed holes. Test seat to be sure it is secure and does not move in its fitting. You may need to use two hands or a cloth when you tighten or loosen them.

Note: The seat should be adjusted only by an adult. The seat screw fits tightly so children cannot adjust or disengage seat by themselves.

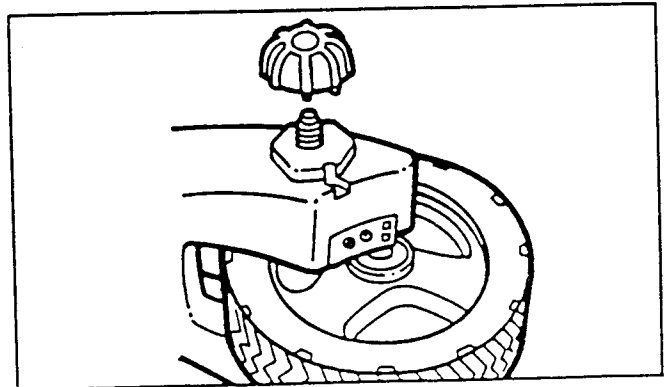
Step 6. Attaching Training Wheel Supports to Bike



A. Lay bike on its side. For easier assembly, trim excess plastic from thread on post. For beginning riders, make sure the training wheels are on the outside of the supports and facing away from the bike. Screw locknuts onto post, turning until locknut is tight on post. (As you turn the locknut, it will make snapping sounds as it works its way into training wheel fitting.) Make sure locknut is securely attached. Repeat for other support. You may need to use two hands or a cloth when you tighten or loosen them.



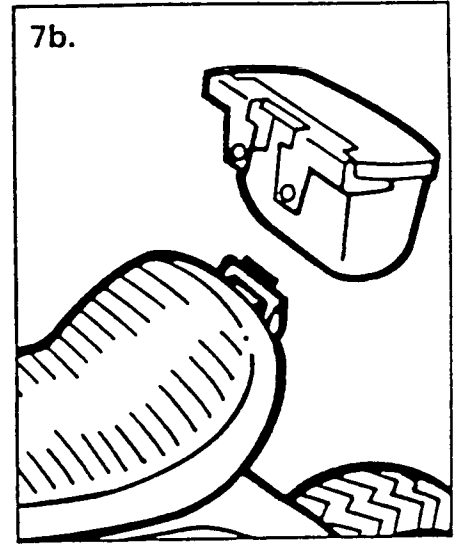
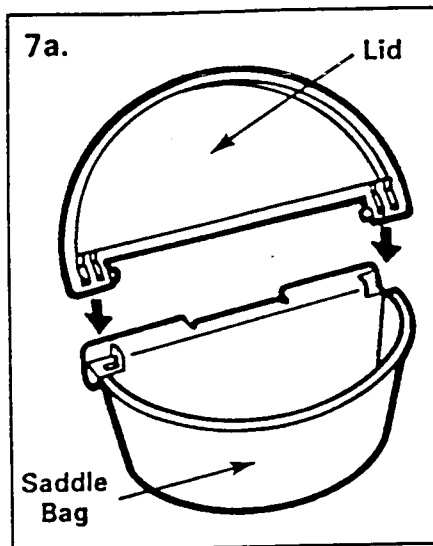
B. As your child gains confidence, reverse the training wheel supports so that the wheels are inside the supports and facing toward the bike. To reverse supports, unscrew locknuts, turn supports around, and screw locknuts back on. Make sure locknuts are securely attached. Note: The locknuts fit tightly so that the child cannot remove them. You may need to use two hands or a cloth when you tighten or loosen them.



C. When your child is ready to ride a two-wheel bike, remove the training wheel supports from the bike. Re-attach the locknuts after removing the supports.

Step 7a. & 7b. Saddle Bag

Snap lid onto saddle bag, fitting the tabs on lid into slots on saddle bag. Attach saddle bag to back of bike seat as shown. The saddle bag is designed to fit loosely on holder, to prevent the possibility of entanglement.



Replacement Parts Order Form

ITEM NO.	DESCRIPTION	PART NO.
1	Handlebar	45809100
2	Frame	45808900
3	Journal bearing	45809300
4	Fork	45809200
5	Plug Cap	46528200
6	Front wheel assembly with pedals	45810300
7	Front axle cap (2)	45810700
8	Hardware bag — #8-1" screws (8), 1/4" nut, 1/4" x 2 1/8" bolt	46052901
9	Rear axle cap (2)	45810800
10	Seat screw	45810200
11	Rear wheel assembly	46198600
12	Rear axle	45810600
13	Wheel spacer (2)	45810400
14	Locknut (2)	45810900
15	Training wheel assembly (2)	45809700
16	Seat	45810100
17	Saddle bag	45809500
18	Saddle bag lid	45809600

© 1995 Hasbro, Inc., Pawtucket, RI 02862 USA. All Rights Reserved.

® denotes Reg. U.S. Pat. & TM Office

MADE AND PRINTED IN USA.

Patent No. 5,133,569

50580

P/N 45811000