

## FCC STATEMENT

This device complies with part 15 of the FCC Rules. Operation is subject to the following two conditions: (1) This device may not cause harmful interference, and (2) this device must accept any interference received, including interference that may cause undesired operation. This equipment has been tested and found to comply with the limits for a Class B digital device, pursuant to part 15 of the FCC Rules. These limits are designed to provide reasonable protection against harmful interference in a residential installation. This equipment generates, uses and can radiate radio frequency energy, and, if not installed and used in accordance with the instructions, may cause harmful interference to radio communications. However, there is no guarantee that interference will not occur in a particular installation. If this equipment does cause harmful interference to radio or television reception, which can be determined by turning the equipment off and on, the user is encouraged to try to correct the interference by one or more of the following measures:

- Reorient or relocate the receiving antenna.
- Increase the separation between the equipment and receiver.
- Consult the dealer or an experienced radio/TV technician for help.



**Not suitable for children under 3 years  
because of small parts - choking hazard.**



Product and colors may vary.

© Disney/Pixar

®\* and/or TM\* & © 2006 Hasbro. All Rights Reserved.

TM & ® denote U.S. Trademarks.

03934

P/N 6604030000

Disney • PIXAR

# TOY STORY

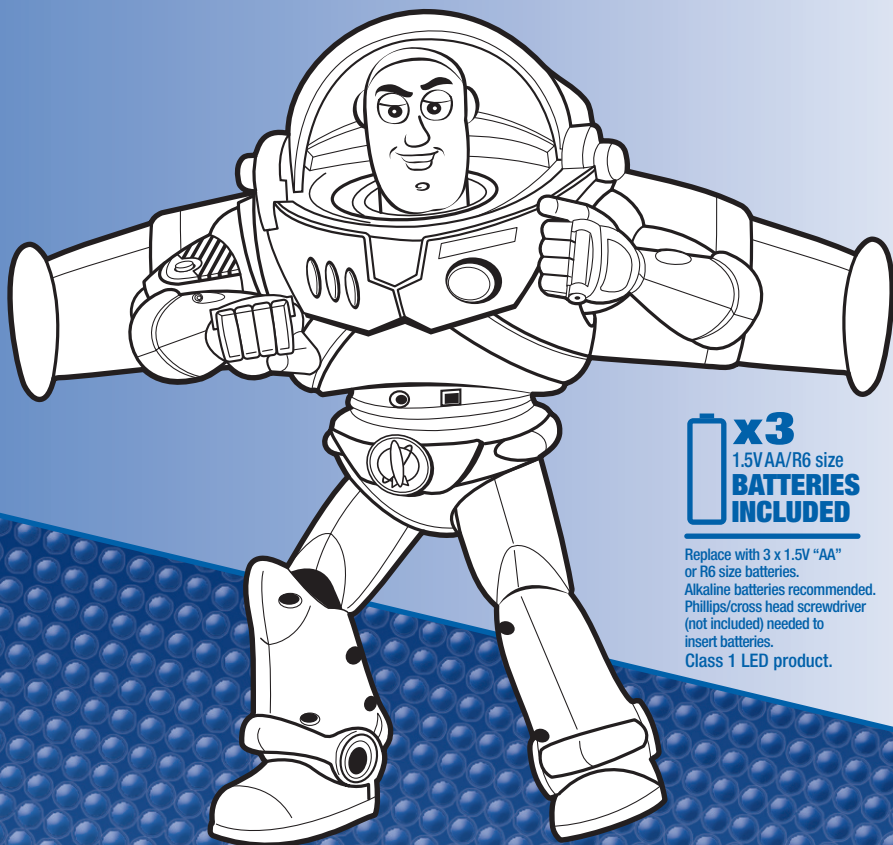
AND BEYOND!

Disney • PIXAR

AGES 4+  
03934

Thank you for  
buying this  
exciting Toy Story  
toy! For maximum  
play value, be  
sure to read  
and follow all  
directions.

## Deluxe Electronic Buzz Lightyear

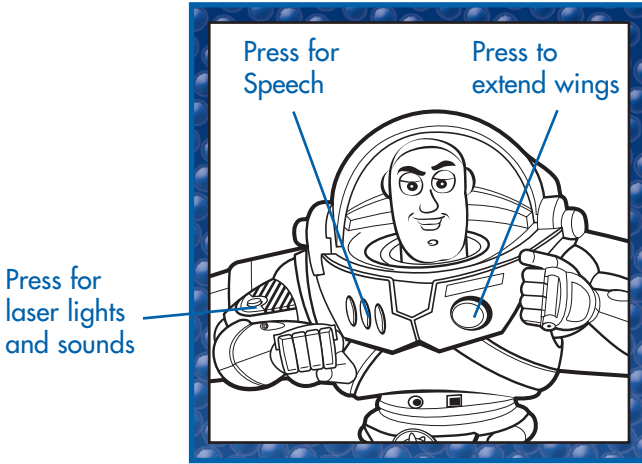


**x3**  
1.5V AA/R6 size  
**BATTERIES  
INCLUDED**

Replace with 3 x 1.5V "AA"  
or R6 size batteries.  
Alkaline batteries recommended.  
Phillips/cross head screwdriver  
(not included) needed to  
insert batteries.  
Class 1 LED product.

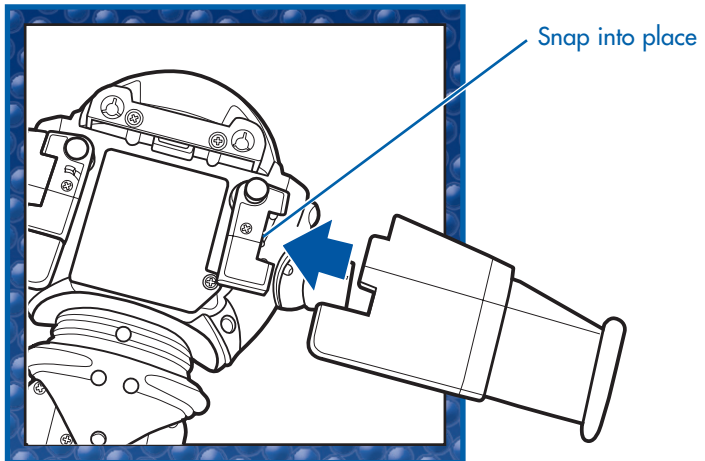
## Playtime

- Press large chest button to make Buzz Lightyear's wings expand.
- Press wings back and flip down to reset.
- Push red, green, or blue button for phrases!
- Press button on arm for blinking lights and laser sounds!



## Wing Attachment

- As an added feature, Electronic Battle Buzz Lightyear's wings are designed to come off under undue pressure. If this happens, simply re-attach wings as shown.

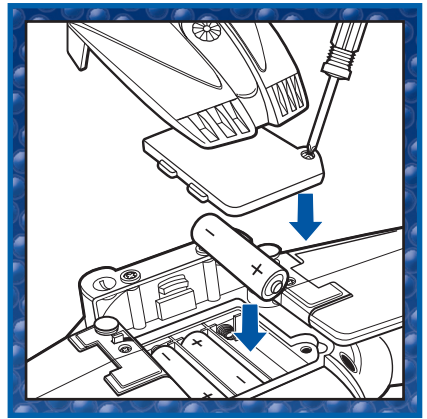


## Troubleshooting tip

- Replace batteries if speech becomes slow.

## To Replace Batteries

Use a Phillips/cross head screwdriver (not included) to loosen screw in battery compartment door (screw remains attached to door). Remove door and discard old batteries. Insert 3 x 1.5V fresh "AA" or R6 size batteries. Alkaline batteries recommended. Replace door and tighten screw.



### CAUTION:

- 1. Be sure to insert the batteries correctly and always follow the toy and battery manufacturers' instructions;**
- 2. Do not mix old and new batteries or alkaline, standard (carbon-zinc) or rechargeable (nickel-cadmium) batteries;**
- 3. Always remove weak or dead batteries from the product.**

## IMPORTANT: BATTERY INFORMATION

Please retain this information for future reference.

Batteries should be replaced by an adult.



### CAUTION:

- 1. Always follow the instructions carefully. Use only batteries specified and be sure to insert item correctly by matching the + and - polarity markings.**
- 2. Do not mix old and new batteries or standard (carbon-zinc) with alkaline batteries.**
- 3. Remove exhausted or dead batteries from the product.**
- 4. Remove batteries if product is not to be played with for a long time.**
- 5. Do not short-circuit the supply terminals.**
- 6. Should this product cause, or be affected by, local electrical interference, move it away from other electrical equipment. Reset (switching off and back on again or removing and re-inserting batteries) if necessary.**
- 7. RECHARGEABLE BATTERIES: Do not mix these with any other types of batteries. Always remove from the product before recharging. Recharge batteries under adult supervision. DO NOT RECHARGE OTHER TYPES OF BATTERIES.**