

VIDEONow™

Personal Video Player

Thank you for purchasing the VIDEONow player, the first ever handheld, portable, personal video player to use "mini" (85 mm) Personal Video Discs (PVD's)! Be sure to read and follow all instructions carefully before using this product.

Watch out! The VIDEONow player is revolutionizing the digital video industry! Portable and handheld, it's ready for on-the-go movement that matches your lifestyle. The VIDEONow player delivers high quality videos on a multitude of PVD's – best of all, these PVD's contain things you wanna watch, like your favorite cartoons. With its sleek and stylish design, you won't want to go anywhere without one!

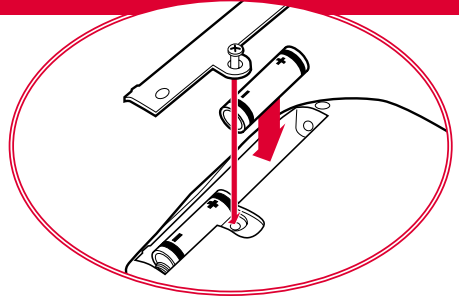
Watch
many of
your favorite
shows....
**ANYWHERE,
ANYTIME!**

Includes
player
and one
personal
video disc.

Requires 2 x 1.5V "AA"/LR6 alkaline batteries (not included).
Phillips/cross head screwdriver (not included) needed to insert batteries.

TO INSERT BATTERIES

Using a Phillips/cross head screwdriver, loosen the screw in the battery compartment cover (screw stays attached to cover). Remove cover. Insert 2 x 1.5V "AA"/LR6 alkaline batteries. Replace cover and tighten screw.



⚠ CAUTION: TO AVOID BATTERY LEAKAGE

1. Be sure to insert the batteries correctly and always follow the toy and battery manufacturers' instructions;
2. Do not mix old batteries and new batteries or alkaline, standard (carbon-zinc) or rechargeable (nickel-cadmium) batteries;
3. Always remove weak or dead batteries from the product.

IMPORTANT: BATTERY INFORMATION

Please retain this information for future reference.

Batteries should be replaced by an adult.

⚠ CAUTION:

1. Always follow the instructions carefully. Use only batteries specified and be sure to insert item correctly by matching the + and - polarity markings.
2. Do not mix old batteries and new batteries or standard (carbon-zinc) with alkaline batteries.
3. Remove exhausted or dead batteries from the product.
4. Remove batteries if product is not to be played with for a long time.
5. Do not short circuit the supply terminals.
6. Should this product cause, or be affected by, local electrical interference, move it away from other electrical equipment. Reset (switching off and back on again or removing and re-inserting batteries) if necessary.
7. **RECHARGEABLE BATTERIES:** Do not mix these with any other types of battery. Always remove from the product before recharging. Recharge batteries under adult supervision. **DO NOT RECHARGE OTHER TYPES OF BATTERIES.**

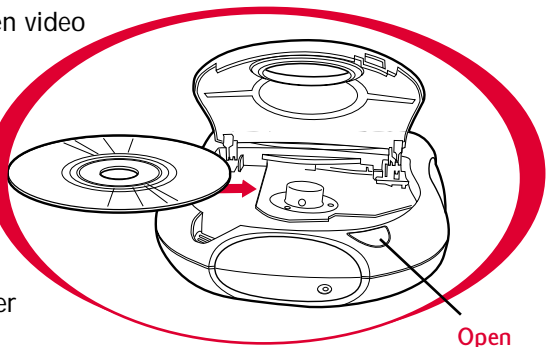
TO USE

- Press the "Open" button to open video player.
- Insert a PVD, as you would a standard compact disc. Make sure that the PVD snaps into place on the center spindle.

Note: The VIDEONOW Player works ONLY with VIDEONOW PVD's.

- Gently close the lid of the player until you hear a click.

Note: To remove your PVD: Place your forefinger on the center spindle while your thumb rests on the edge of the disc. Gently lift the disc off the center spindle and out of the player.

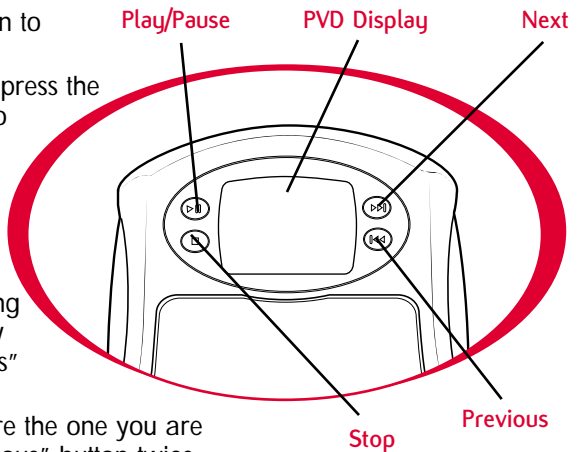


- Press the "Play/Pause" button to begin playing your video.
- To pause your video, simply press the "Play/Pause" button once. To resume play, press the "Play/Pause" button again.
- To jump to the next video, simply press the "Next" button.
- To jump back to the beginning of the track you are currently watching, press the "Previous" button once.

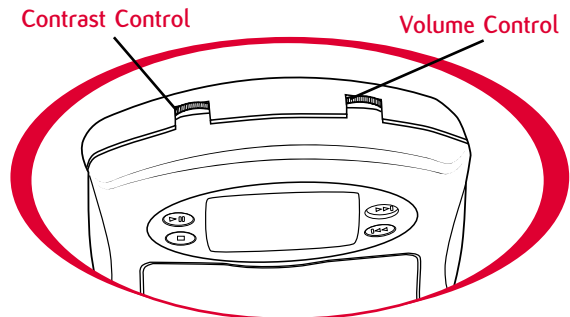
To go back to the track before the one you are currently on, press the "Previous" button twice.

- To stop your video, simply press the "Stop" button.

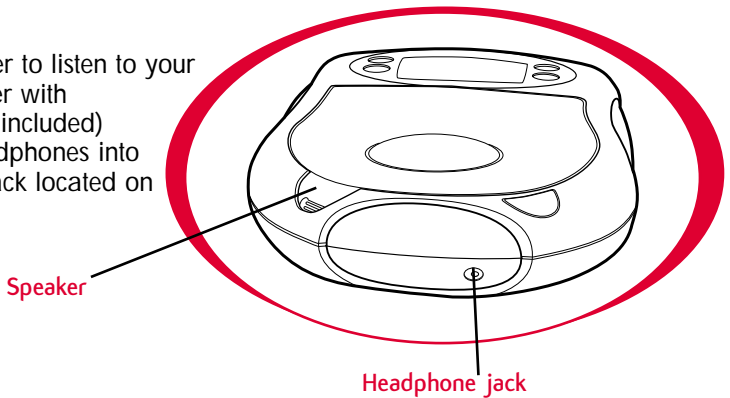
Note: To Turn Off the VIDEONOW player: If the video is already stopped, press "Stop" again. If the video is stopped and you do not press another key for 30 seconds, the player will shut itself off, and you will need to press "Play/Pause" to turn it back on.



- Turn the "Contrast" dial to clarify the picture quality to your liking.
- Turn the "Volume" dial to adjust the level of sound.



Note: If you prefer to listen to your VIDEO NOW player with headphones (not included) simply insert headphones into the headphone jack located on bottom of player.



TROUBLESHOOTING GUIDE

VIDEO NOW would like to offer you some basic troubleshooting advice so that you can fully maximize your entertainment experience.

- **If your player skips:**

Your hi-tech VideoNow Player is sensitive and may skip due to sudden movements but will continue playing your videos where it left off.

- **If your player freezes up:**

If your player happens to freeze up, you will need to reset your player. To do this, simply remove the existing batteries from the player and reinsert them.

FCC STATEMENT

This equipment has been tested and found to comply with the limits for a Class B digital device, pursuant to part 15 of the FCC Rules. These limits are designed to provide reasonable protection against harmful interference in a residential installation. This equipment generates, uses and can radiate radio frequency energy, and, if not installed and used in accordance with the instructions, may cause harmful interference to radio communications. However, there is no guarantee that interference will not occur in a particular installation. If this equipment does cause harmful interference to radio or television reception, which can be determined by turning the equipment off and on, the user is encouraged to try to correct the interference by one or more of the following measures:

- Reorient or relocate the receiving antenna.
- Increase the separation between the equipment and the receiver.
- Consult the dealer or an experienced radio/TV technician for help.



© 2003 Hasbro. All Rights Reserved.
® denotes Reg. U.S. Pat. & TM Office.
U.S. Patent Pending
72647 P/N 6241660000

TIGER
ELECTRONICS

Where Technology Come to Play!™



Questions? Call: 1-800-327-8264

VIDEONow™

Troubleshooting Guide

Dear VIDEONow Customer:

Congratulations on purchasing the **VIDEONow** Personal Video Player! Your journey into entertainment excitement is about to begin.

VIDEONow would like to offer you some basic troubleshooting advice so that you can fully maximize your entertainment experience.

If your player skips:

Your hi-tech **VIDEONow** Player is sensitive and may skip due to sudden movements but will continue playing your videos where it left off.

If your player freezes up:

If your player happens to freeze up, you will need to reset your player. To do this, simply remove the existing batteries from the player and reinsert them.



TIGER
ELECTRONICS

Where Technology Comes to Play!™



Questions? Call: 1-800-327-8264