



COUNTRY GARDEN NURSERY™ PLAYSET

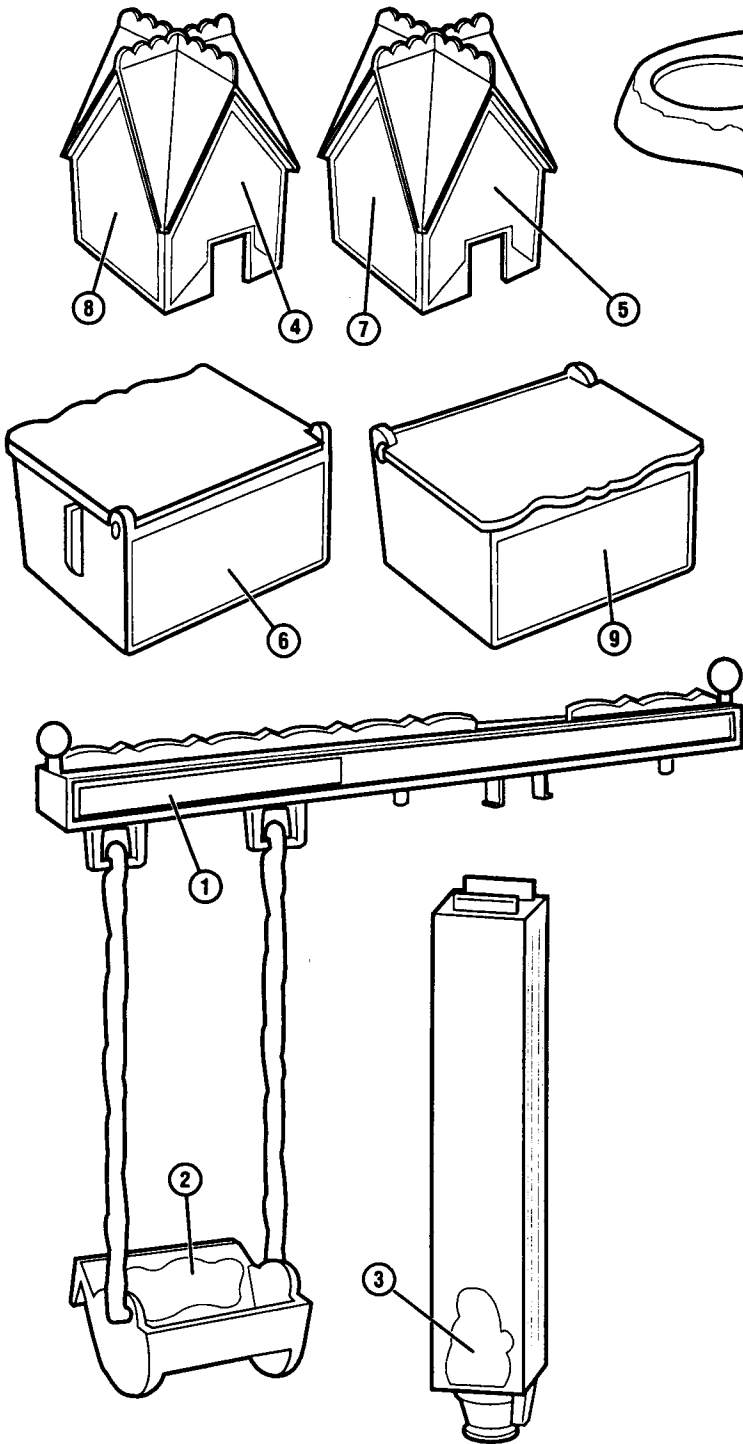
160931
522141.00

AGES 4 AND UP

WARNING:
CHOKING HAZARD - Small parts.
Not for children under 3 years.

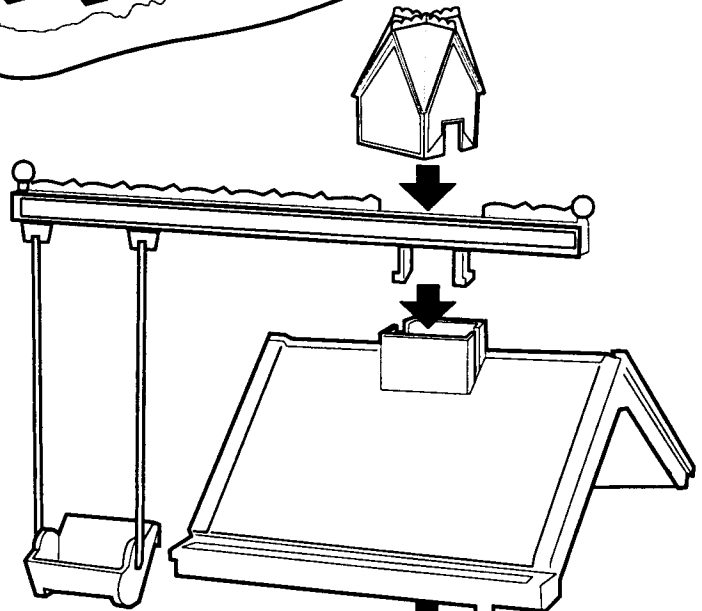
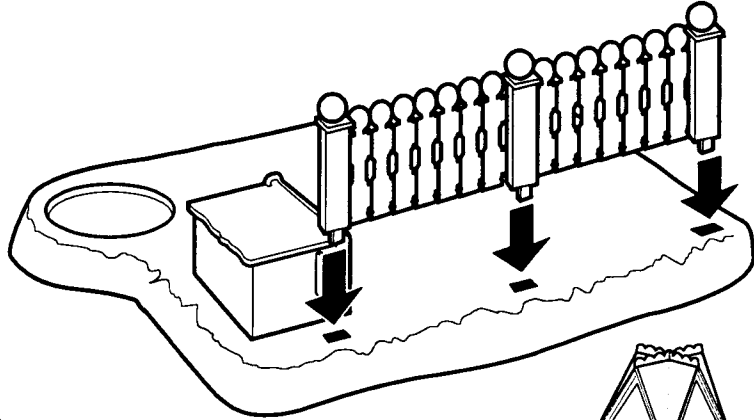
LABEL APPLICATION

1. Apply labels to unassembled pieces using numbers on label sheet and these illustrations as a guide.

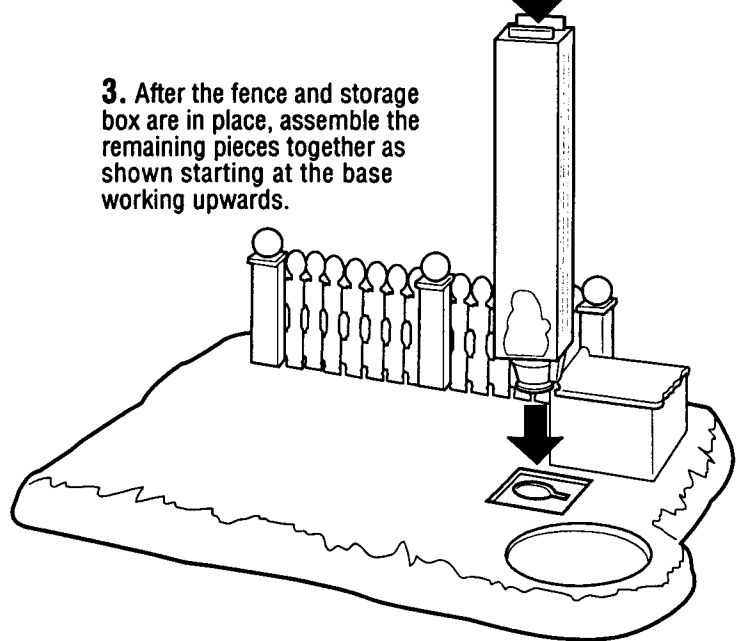


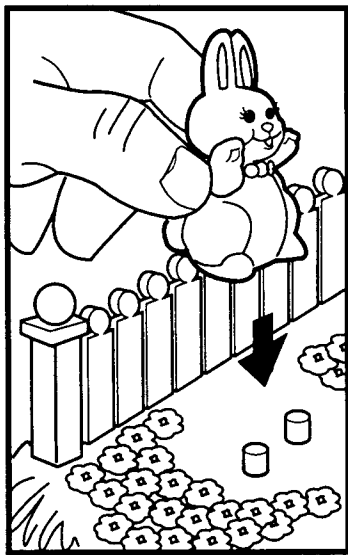
ASSEMBLY

2. Attach the fence to the storage box and the base as shown.

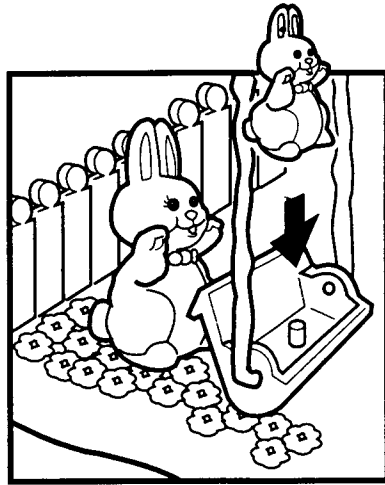


3. After the fence and storage box are in place, assemble the remaining pieces together as shown starting at the base working upwards.

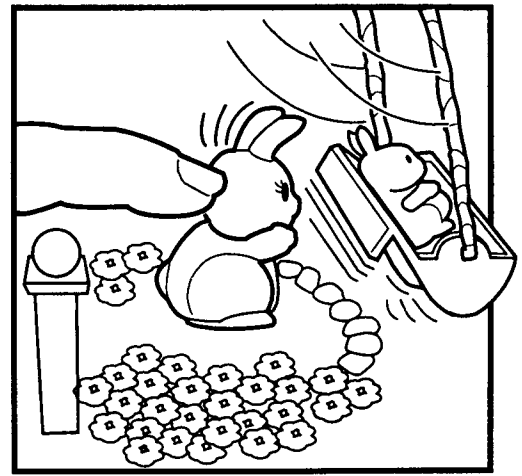




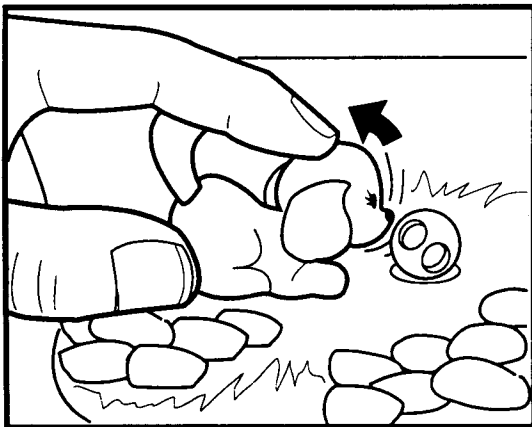
4. Place mommy rabbit on the foot posts.



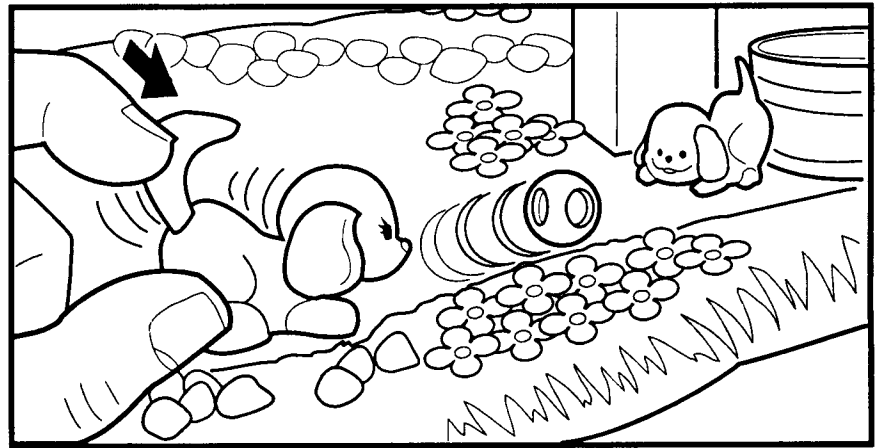
5. Place baby rabbit on the seat post.



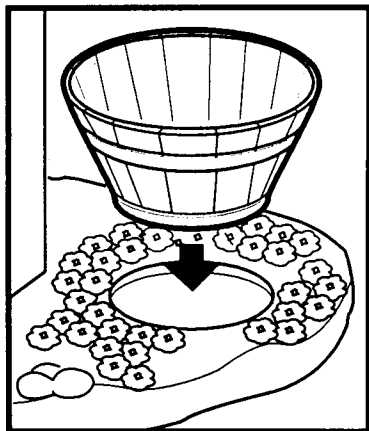
6. Push mommy rabbit with short, quick motions to help her give the baby a ride.



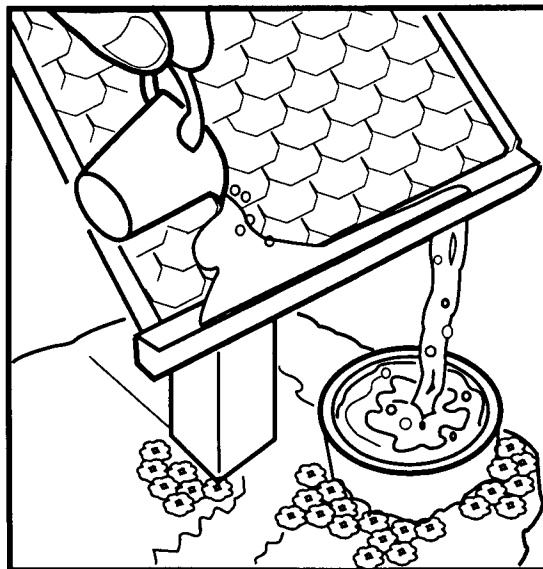
7. Place mommy dog on the base next to the pink stone. Pull her head back until it locks. Place the ball on the pink stone.



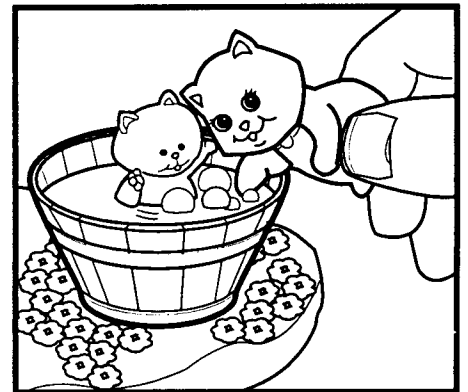
8. Place baby dog on the trail as shown. Push mommy dog's tail forward to make her hit the ball to her baby.



9. Place rain barrel into recess under drain gutter as shown.



10. Pour water onto roof. It runs into the drain gutter and it falls through to help fill the barrel bath.



11. Place baby kitty into water. Put mommy kitty's paw in the water and give her several quick squeezes to make bubbles.

Kemper.

© 1995 TONKA CORPORATION, a subsidiary of Hasbro, Inc., Pawtucket, Rhode Island 02862. All Rights Reserved. MADE IN CHINA