

Tonka[®] CHUCK & FRIENDS[™]

OVER 18 MONTHS

09994/09993 Asst.

**Adult Assembly
Required**

Phillips/Cross head
screwdriver (not included)
required for assembly

Round-About Railway[™]

Thank you for choosing this
TONKA[®] brand product!

 **x2**
1.5V AA
R6 size
**BATTERIES
INCLUDED**

Replace with 2 x
1.5V "AA" or R6
size batteries.
Alkaline batteries
recommended.
Phillips/cross head
screwdriver
(not included) needed
to replace batteries.



WARNING:

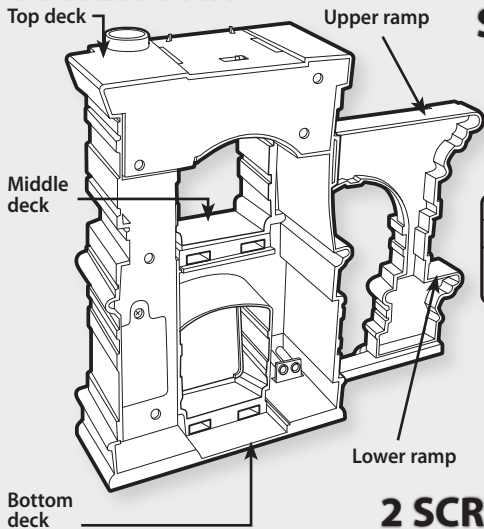
Product must be assembled by an adult. This product contains small parts which are necessary for assembly. Prior to and during assembly of this product, keep small parts out of children's reach. Small parts pose a choke hazard to children under 3 years.

NOTE:

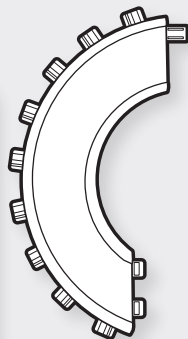
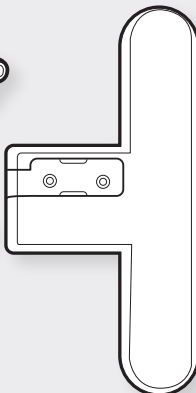
Adult should remove and discard plastic fasteners.



TOWER UNIT



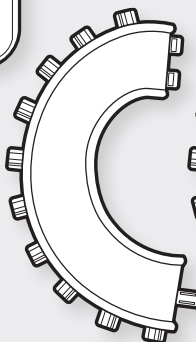
TOWER SUPPORT



Single tab side

2 SHORT TRACKS

Double tabs side

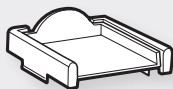


Double tabs side

2 LONG TRACKS

Single tab side

LAUNCHER



RAILROAD CROSSING SIGN

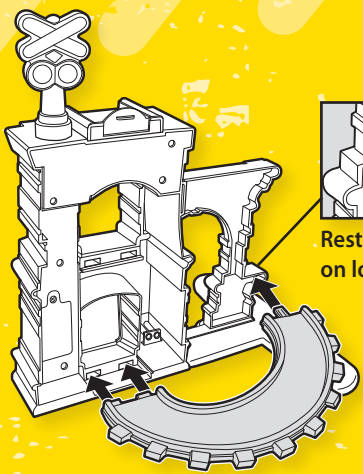
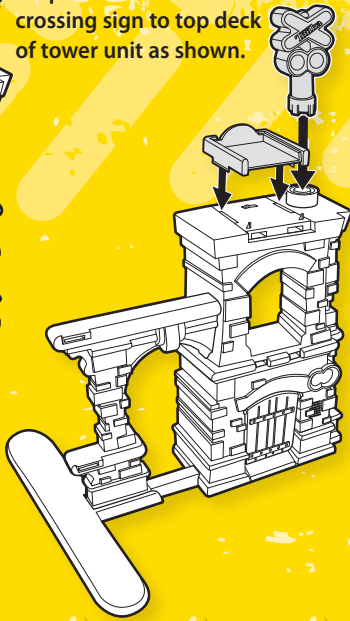
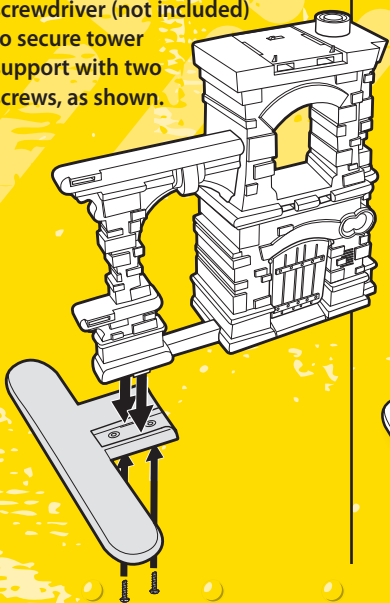
2 SCREWS



ASSEMBLY:

Assembling the **ROUND-ABOUT RAILWAY** toy is easy! Just follow these steps:

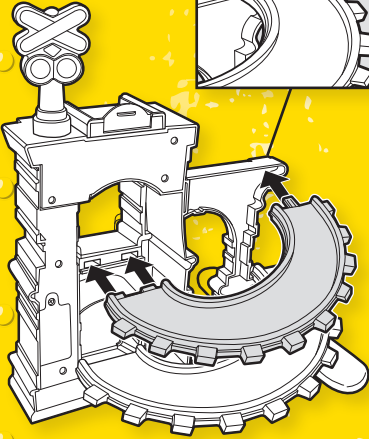
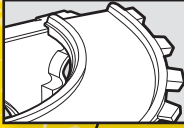
- 1 Snap tower support to tower unit, as shown. Use Phillips/cross head screwdriver (not included) to secure tower support with two screws, as shown.
- 2 Snap launcher and railroad crossing sign to top deck of tower unit as shown.
- 3 Turn tower unit so back is facing you. Using a long track, attach double tabs side to slots on back of bottom deck.



Rest single tab side on lower ramp.

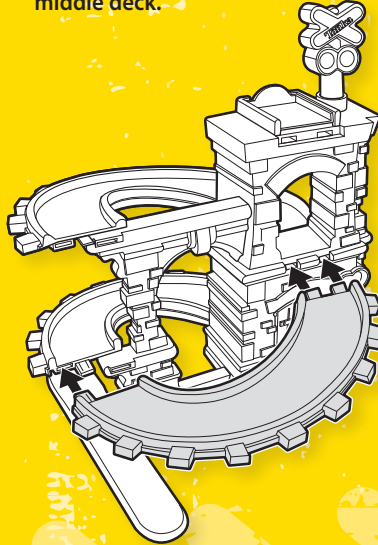
- 4 Using the second long track, attach double tabs side to slots on back of middle deck.

Rest single tab side on upper ramp.



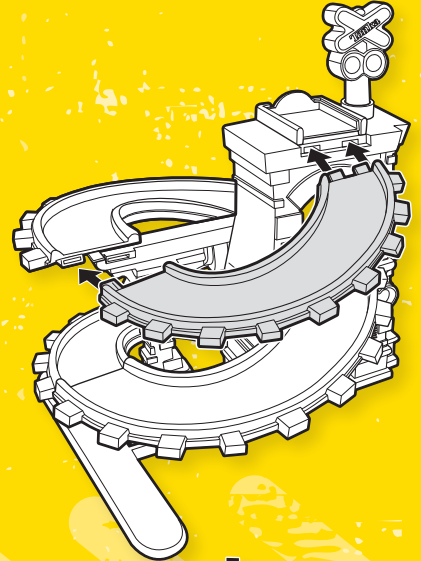
- 5 Turn tower unit so front is facing you. Using a short track, fasten single tab side of short track onto single tab side of long track 1 as shown. The unit should then snap down onto the lower ramp.

- 6 Attach double tabs side of the second short track to slots on front of middle deck.



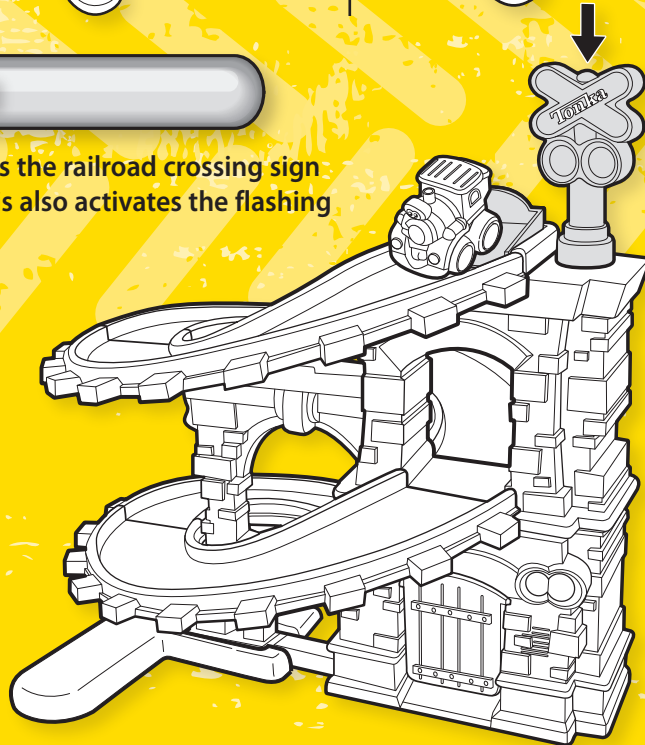
- 7 Using the second short track, fasten single tab side of short track onto single tab side of long track as shown. The unit should then snap down onto the upper ramp.

- 8 Attach double tabs side of the second short track to slots on front of top deck.

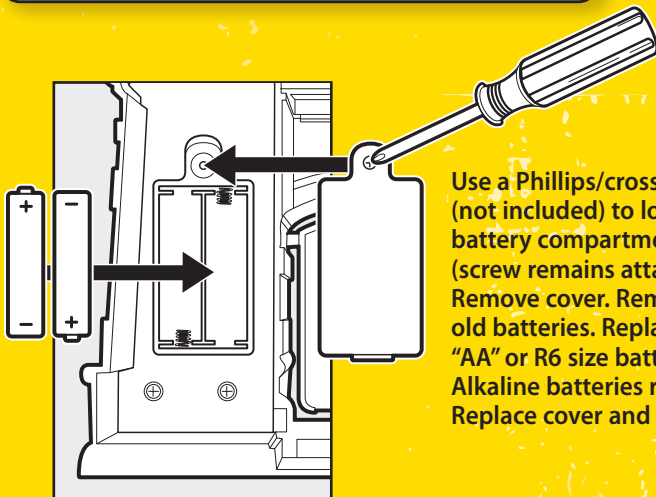


PLAY:

Set a train on the top deck and press the railroad crossing sign to send it racing down the track. This also activates the flashing lights and railway sounds.



TO REPLACE BATTERIES:



Use a Phillips/cross head screwdriver (not included) to loosen screw in battery compartment cover (screw remains attached to cover). Remove cover. Remove and discard old batteries. Replace with 2 x 1.5V "AA" or R6 size batteries. Alkaline batteries recommended. Replace cover and tighten screw.

IMPORTANT: BATTERY INFORMATION

⚠ CAUTION:

1. Always follow the instructions carefully. Use only batteries specified and be sure to insert them correctly by matching the + and - polarity markings.
2. Do not mix old batteries and new batteries, or standard (carbon-zinc) with alkaline batteries.
3. Remove exhausted or dead batteries from the product.
4. Remove batteries if product is not to be played with for a long time.
5. Do not short-circuit the supply terminals.
6. Should this product cause, or be affected by, local electrical interference, move it away from other electrical equipment. Reset (switching off and back on again or removing and re-inserting batteries) if necessary.
7. RECHARGEABLE BATTERIES: Do not mix these with any other types of batteries. Always remove from the product before recharging. Recharge batteries under adult supervision. **DO NOT RECHARGE OTHER TYPES OF BATTERIES.**



NOTE TO UK CONSUMERS: This product and its batteries must be disposed of separately at your local waste recycling centre. Do not dispose of in your household waste bin.

FCC STATEMENT

This device complies with part 15 of the FCC Rules. Operation is subject to the following two conditions: (1) This device may not cause harmful interference, and (2) this device must accept any interference received, including interference that may cause undesired operation.

This equipment has been tested and found to comply with the limits for a Class B digital device, pursuant to part 15 of the FCC Rules. These limits are designed to provide reasonable protection against harmful interference in a residential installation. This equipment generates, uses and can radiate radio frequency energy, and, if not installed and used in accordance with the instructions, may cause harmful interference to radio communications. However, there is no guarantee that interference will not occur in a particular installation. If this equipment does cause harmful interference to radio or television reception, which can be determined by turning the equipment off and on, the user is encouraged to try to correct the interference by one or more of the following measures:

- Reorient or relocate the receiving antenna.
- Increase the separation between the equipment and receiver.

CAUTION: Changes or modifications not expressly approved by the party responsible for compliance could void the user's authority to operate the equipment.

Product and colors may vary.



© 2009 Hasbro.
All Rights Reserved.
TM & ® denote U.S.
Trademarks.

VISIT
TONKA.com

Questions? Call: 1-800-327-8264